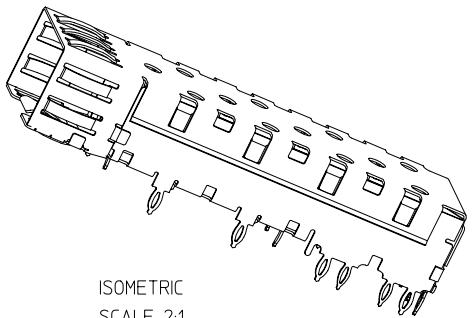


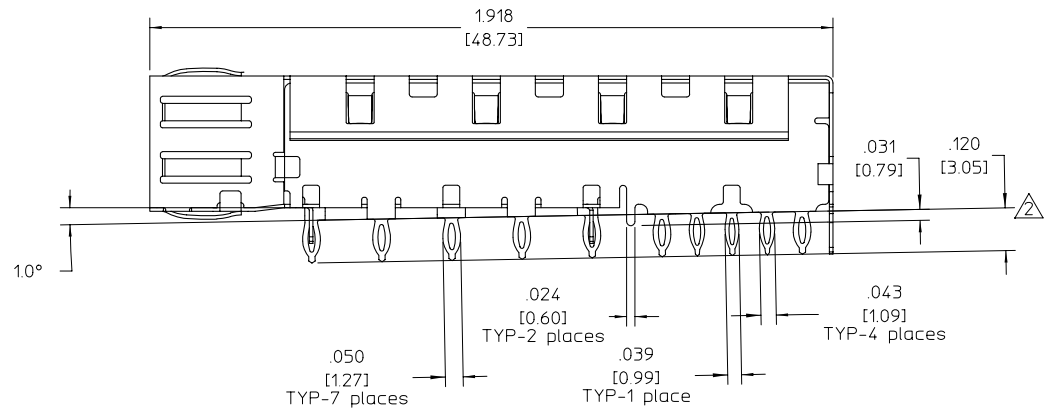
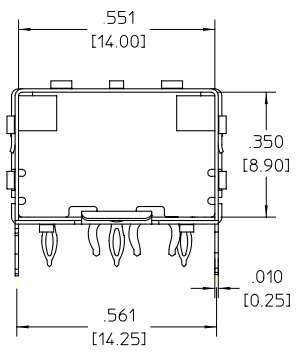
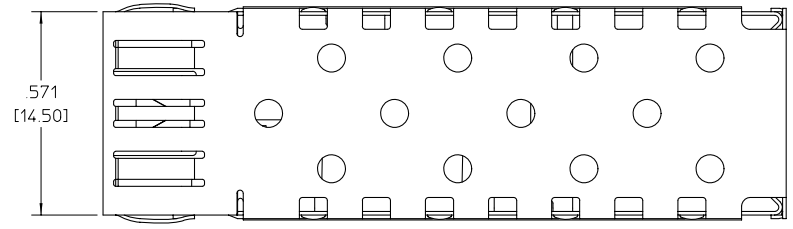
15 press-fit (compliant) pins for single sided use in .093+ (2.36+mm) PCB's with plated through holes. Legs angled 1° from body for mounting in PCI panel openings.

Material full-hard, tin plated brass or bronze .010" (0.25mm) thick.

EC NO: UDT2002-12344 DRAWN: DIRKERS 2002/04/11 CHK: DIRKERS APPR: BRUSSELL 2002/04/12	QUALITY SYMBOLS ▽ = 0 ∇ = 0	GENERAL TOLERANCES (UNLESS SPECIFIED)		SCALE 4:1	DESIGN UNITS METRIC	THIRD ANGLE PROJECTION	REVISE ON CAD ONLY			
			mm	INCH	DIMENSION STYLE IN/MM		TITLE SFP PCI CAGE ASSEMBLY WITH 15 PRESS-FIT LEGS AND 3 EMI CLIPS			
		4 PLACES	± ---	± ---	DRAWN BY	DATE	MOLEX INCORPORATED			
		3 PLACES	± ---	± .002	DIRKERS	2002/04/10	MATERIAL NO. 739270016 DOCUMENT NO. SD-73927-0016 SHEET NO. 1 OF 7			
	2 PLACES	± 0.05	± ---	CHECKED BY	DATE	THIS DRAWING CONTAINS INFORMATION THAT IS PROPRIETARY TO MOLEX INCORPORATED AND SHOULD NOT BE USED WITHOUT WRITTEN PERMISSION				
	1 PLACE	± ---	± ---	DIRKERS	2002/04/10	B				
DRAFT WHERE APPLICABLE MUST REMAIN WITHIN DIMENSIONS										

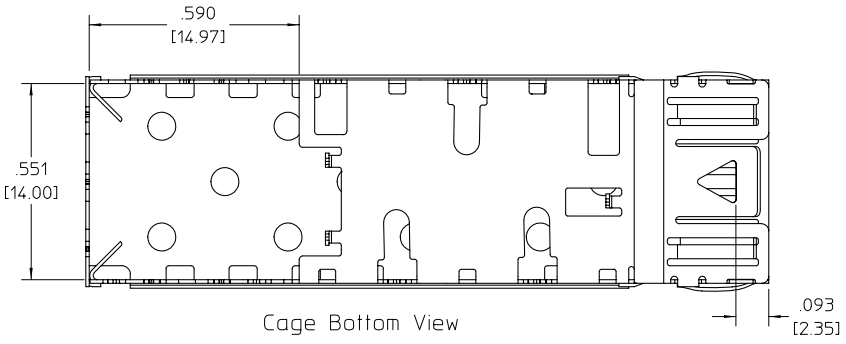
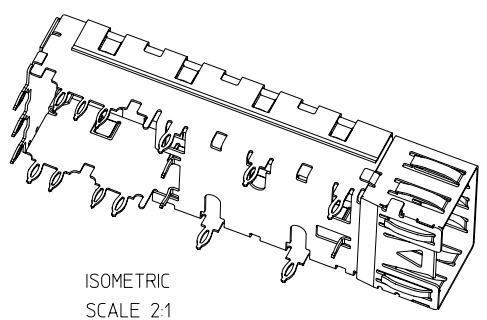
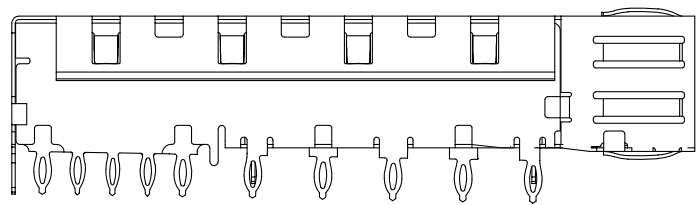
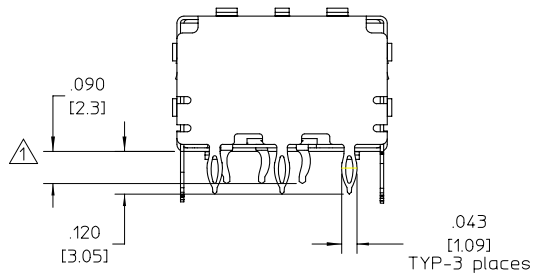


ISOMETRIC  
SCALE 2:1



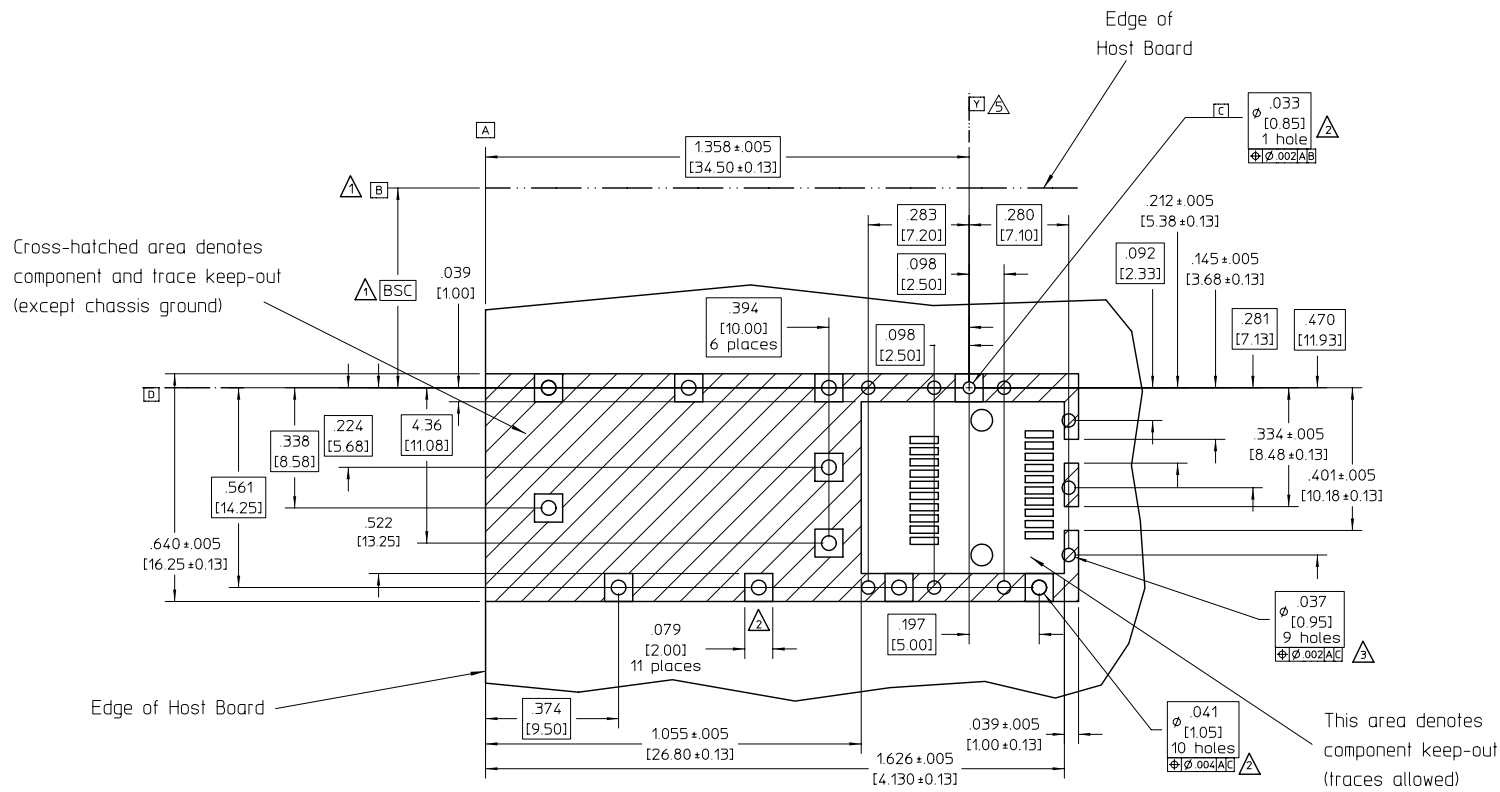
1 Dimensions of solder posts fit hole pattern and sizes per MSA guidelines.  
 △ Host PCB top surface datum.

EC NO: <b>UDT2002-12864</b> DRWN: DIRKERS 2002/04/11 CHK: DIRKERS APPR: BRUSSELL 2002/04/22	QUALITY SYMBOLS	GENERAL TOLERANCES (UNLESS SPECIFIED)		SCALE 3:1	DESIGN UNITS METRIC	THIRD ANGLE PROJECTION	REVISE ON CAD ONLY		
	▼ = 0 △ = 0	mm	INCH	DIMENSION STYLE IN/MM		TITLE			
		4 PLACES ± ---	± ---	DRAWN BY DIRKERS DATE 2002/04/10		SFP PCI CAGE ASSEMBLY WITH 15 PRESS-FIT LEGS AND 3 EMI CLIPS MOLEX INCORPORATED			
		3 PLACES ± ---	± .002	CHECKED BY DIRKERS DATE 2002/04/10					
2 PLACES ± 0.05	± ---	APPROVED BY RUSSELL DATE 2002/04/11		MATERIAL NO. 739270016	DOCUMENT NO. SD-73927-0016	SHEET NO. 2 OF 7			
1 PLACE ± ---	± ---	ANGULAR ± 1/2 °		THIS DRAWING CONTAINS INFORMATION THAT IS PROPRIETARY TO MOLEX INCORPORATED AND SHOULD NOT BE USED WITHOUT WRITTEN PERMISSION					
REV	DESCRIPTION	DRAFT WHERE APPLICABLE MUST REMAIN WITHIN DIMENSIONS							



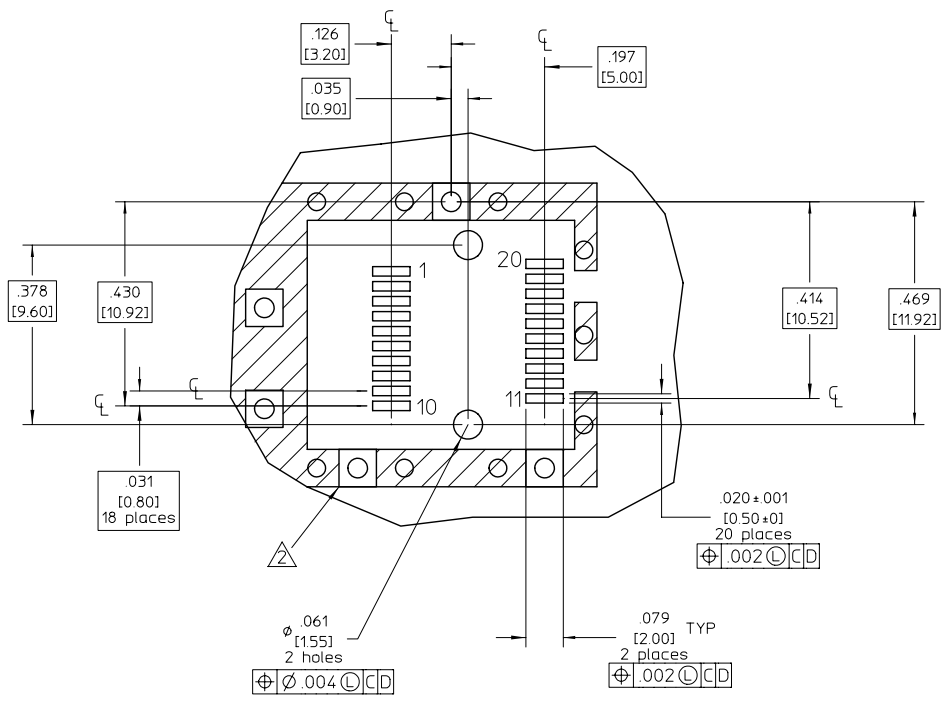
△ Host PCB Top Surface Datum

EC NO: <b>UDT20002-12864</b> DRAWN: DIRKERS 2002/04/11 CHK: DIRKERS APPR: BRUSSELL 2002/04/22	QUALITY SYMBOLS ▽ = 0 ∇ = 0	GENERAL TOLERANCES (UNLESS SPECIFIED)		SCALE 3:1	DESIGN UNITS METRIC	THIRD ANGLE PROJECTION	REVISE ON CAD ONLY		
		4 PLACES ± --- ± --- 3 PLACES ± --- ± .002 2 PLACES ± 0.05 ± --- 1 PLACE ± --- ± --- ANGULAR ± 1/2 °	DIMENSION STYLE IN/MM	TITLE SFP PCI CAGE ASSEMBLY WITH 15 PRESS-FIT LEGS AND 3 EMI CLIPS		MOLEX INCORPORATED			
REV A	DESCRIPTION	DRAFT WHERE APPLICABLE MUST REMAIN WITHIN DIMENSIONS		DRAWN BY DIRKERS CHECKED BY DIRKERS APPROVED BY RUSSELL	DATE 2002/04/10 DATE 2002/04/10 DATE 2002/04/11	MATERIAL NO. 739270016	DOCUMENT NO. SD-73927-0016	SHEET NO. 3 OF 7	B
THIS DRAWING CONTAINS INFORMATION THAT IS PROPRIETARY TO MOLEX INCORPORATED AND SHOULD NOT BE USED WITHOUT WRITTEN PERMISSION									



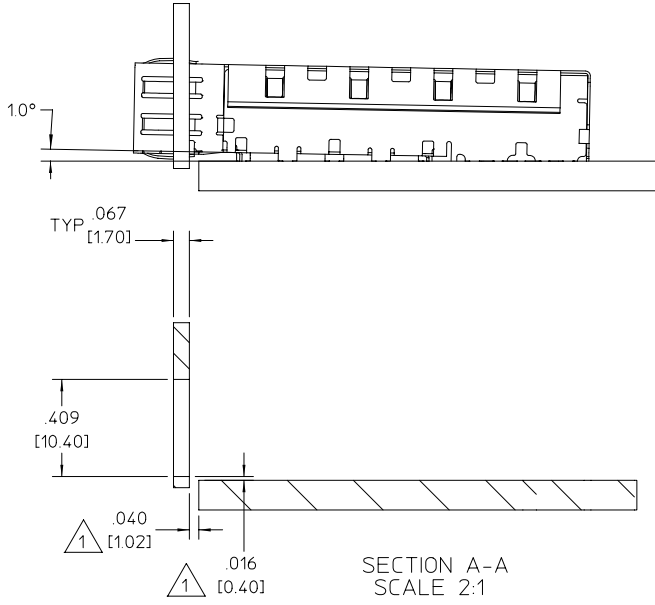
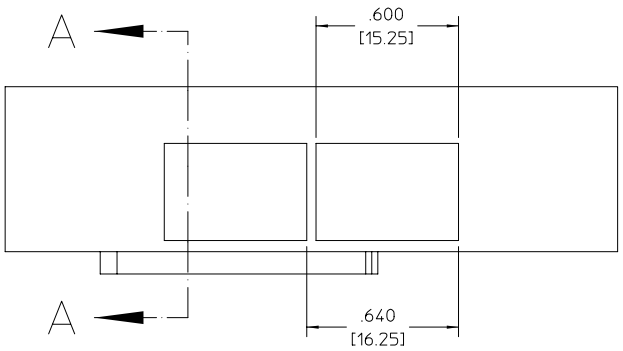
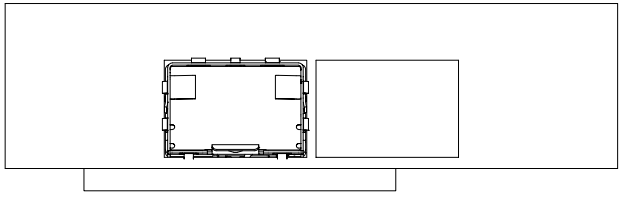
- 1 Datum and basic dimensions established by customer.
- 2 Vias and pads chassis ground, plated through, 11 places. Pads optional.
- 3 Holes optionally plated through.
- 4 Hole pattern does not allow two parts to be mounted "belly-to-belly".
- 5 Cage datum Y shown for reference to cage, only.

EC NO: UDT2002-12644 DRAWN: DIRKERS 2002/04/11 CHK: DIRKERS APPR: BRUSSELL 2002/04/12	QUALITY SYMBOLS ▼ = 0 ▽ = 0	GENERAL TOLERANCES (UNLESS SPECIFIED)		SCALE 3:1	DESIGN UNITS METRIC	THIRD ANGLE PROJECTION	REVISE ON CAD ONLY			
		4 PLACES ± --- ± ---	3 PLACES ± --- ± .002	2 PLACES ± 0.05 ± ---	1 PLACE ± --- ± ---	DIMENSION STYLE IN/MM		TITLE SFP PCI CAGE ASSEMBLY WITH 15 PRESS-FIT LEGS AND 3 EMI CLIPS		
		ANGULAR ± 1/2 °				DRAWN BY DIRKERS	DATE 2002/04/10	MOLEX INCORPORATED		
		DRAFT WHERE APPLICABLE MUST REMAIN WITHIN DIMENSIONS				CHECKED BY DIRKERS	DATE 2002/04/10	MATERIAL NO. 739270016	DOCUMENT NO. SD-73927-0016	SHEET NO. 4 OF 7
THIS DRAWING CONTAINS INFORMATION THAT IS PROPRIETARY TO MOLEX INCORPORATED AND SHOULD NOT BE USED WITHOUT WRITTEN PERMISSION										



1. Connector pad pattern per MSA, will accommodate surface mount Molex connector 74441 or equivalent.  
 △ Cage mounting pads not required for press-fit application.


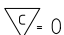

EC NO: <b>U012002-47864</b> DRAWN: DIRKERS 2002/04/11 CHK: DIRKERS APPR: BRUSSELL 2002/04/22 REV A	QUALITY SYMBOLS	GENERAL TOLERANCES (UNLESS SPECIFIED)		SCALE 3:1	DESIGN UNITS METRIC	THIRD ANGLE PROJECTION	REVISE ON CAD ONLY			
	DESCRIPTION ▼ = 0 ∇ = 0		mm	INCH	DIMENSION STYLE IN/MM		TITLE			
		4 PLACES	± ---	± ---			SFP PCI CAGE ASSEMBLY WITH 15 PRESS-FIT LEGS AND 3 EMI CLIPS			
		3 PLACES	± ---	± .002	DRAWN BY DIRKERS	DATE 2002/04/10	MOLEX INCORPORATED MATERIAL NO. 739270016 DOCUMENT NO. SD-73927-0016 SHEET NO. 5 OF 7			
2 PLACES	± 0.05	± ---	CHECKED BY DIRKERS	DATE 2002/04/10						
1 PLACE	± ---	± ---	APPROVED BY RUSSELL		DATE 2002/04/11					
DRAFT WHERE APPLICABLE		MUST REMAIN WITHIN DIMENSIONS		THIS DRAWING CONTAINS INFORMATION THAT IS PROPRIETARY TO MOLEX INCORPORATED AND SHOULD NOT BE USED WITHOUT WRITTEN PERMISSION						



⚠ Dimension to accomodate PCI application.  
All others per MSA guidelines.

EC NO: UDT2002-12644 DRAWN: DIRKERS 2002/04/11 CHK: DIRKERS APPR: BRUSSELL 2002/04/22	QUALITY SYMBOLS ▽ = 0 ∇ = 0	GENERAL TOLERANCES (UNLESS SPECIFIED)		SCALE 2:1	DESIGN UNITS METRIC	THIRD ANGLE PROJECTION	REVISE ON CAD ONLY			
			mm	INCH	DIMENSION STYLE IN/MM		TITLE			
		4 PLACES	± ---	± ---	DRAWN BY DIRKERS	DATE 2002/04/10	SFP PCI CAGE ASSEMBLY WITH 15 PRESS-FIT LEGS AND 3 EMI CLIPS			
		3 PLACES	± ---	± .002	CHECKED BY DIRKERS	DATE 2002/04/10	MOLEX INCORPORATED			
	2 PLACES	± 0.05	± ---	APPROVED BY RUSSELL	DATE 2002/04/11	MATERIAL NO. 739270016	DOCUMENT NO. SD-73927-0016	SHEET NO. 6 OF 7		
	1 PLACE	± ---	± ---	DRAFT WHERE APPLICABLE MUST REMAIN WITHIN DIMENSIONS		THIS DRAWING CONTAINS INFORMATION THAT IS PROPRIETARY TO MOLEX INCORPORATED AND SHOULD NOT BE USED WITHOUT WRITTEN PERMISSION				
	ANGULAR ± 1/2 °									

DATE	REV	CHANGES	REASONS	APPROVAL
2002/04/10	A	NEW DRAWING BASED UPON SD-73927-0004	CUSTOMER REQUEST FOR PRESS-FIT LEGS	CD

EC NO: UDT2002-12644 DRAWN: DIRKERS 2002/04/11 CHK: DIRKERS APPR: BRUSSELL 2002/04/22	QUALITY SYMBOLS	GENERAL TOLERANCES (UNLESS SPECIFIED)		SCALE 1:1	DESIGN UNITS METRIC	THIRD ANGLE PROJECTION	REVISE ON CAD ONLY				
	 -0  =0	4 PLACES	± ---	± ---	DIMENSION STYLE IN/MM		TITLE	SFP PCI CAGE ASSEMBLY WITH 15 PRESS-FIT LEGS AND 3 EMI CLIPS			
		3 PLACES	± ---	± .002	DRAWN BY	DATE					
		2 PLACES	± 0.05	± ---	DIRKERS	2002/04/10	CHECKED BY	DATE	 MOLEX INCORPORATED		
		1 PLACE	± ---	± ---	DIRKERS	2002/04/10	APPROVED BY	DATE			
DRAFT WHERE APPLICABLE MUST REMAIN WITHIN DIMENSIONS		ANGULAR ± 1/2 °		RUSSELL	2002/04/11	739270016	SD-73927-0016	7 OF 7			
THIS DRAWING CONTAINS INFORMATION THAT IS PROPRIETARY TO MOLEX INCORPORATED AND SHOULD NOT BE USED WITHOUT WRITTEN PERMISSION							B				