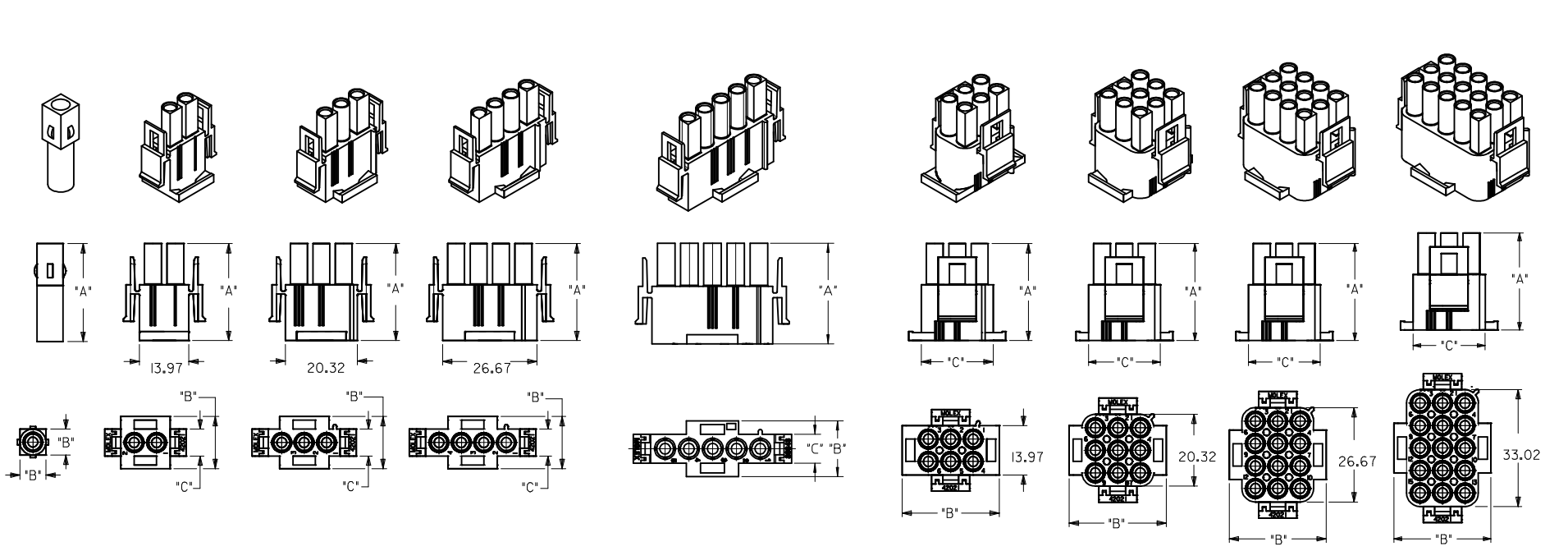


13 12 11 10 9 8 7 6 5 4 3 2 1



<b>REVIEWS UPDATED</b> EC NO: 12018-0003 DRWNGES: 2017/08/30 CHKD: SAGARAVENKA 2017/08/30 APPR: KPRASAD 2017/09/07	DESCRIPTION B	QUALITY SYMBOLS ∇=0 ∇=0 ∇=0	GENERAL TOLERANCES (UNLESS SPECIFIED) mm INCH		DIMENSION STYLE MM ONLY	SCALE 1:1	DESIGN UNITS METRIC	THIRD ANGLE PROJECTION	
		4 PLACES ± --- ± --- 3 PLACES ± --- ± --- 2 PLACES ± 0.25 ± --- 1 PLACE ± 0.36 ± --- 0 PLACE ± --- ± ---	DRAWN BY: MRAMAKRI SHNA DATE: 2013/01/30 CHECKED BY: _____ DATE: _____	TITLE HOUSING, PLUG 2.13 DIA. SERIES		APPROVED BY: KPRASAD DATE: 2013/03/11	MATERIAL NO. SEE SHEET 2	DOCUMENT NO. SD-36643-009	SHEET NO. 1 OF 2
		ANGULAR ± --- ° DRAFT WHERE APPLICABLE MUST REMAIN WITHIN DIMENSIONS			THIS DRAWING CONTAINS INFORMATION THAT IS PROPRIETARY TO MOLEX INCORPORATED AND SHOULD NOT BE USED WITHOUT WRITTEN PERMISSION				

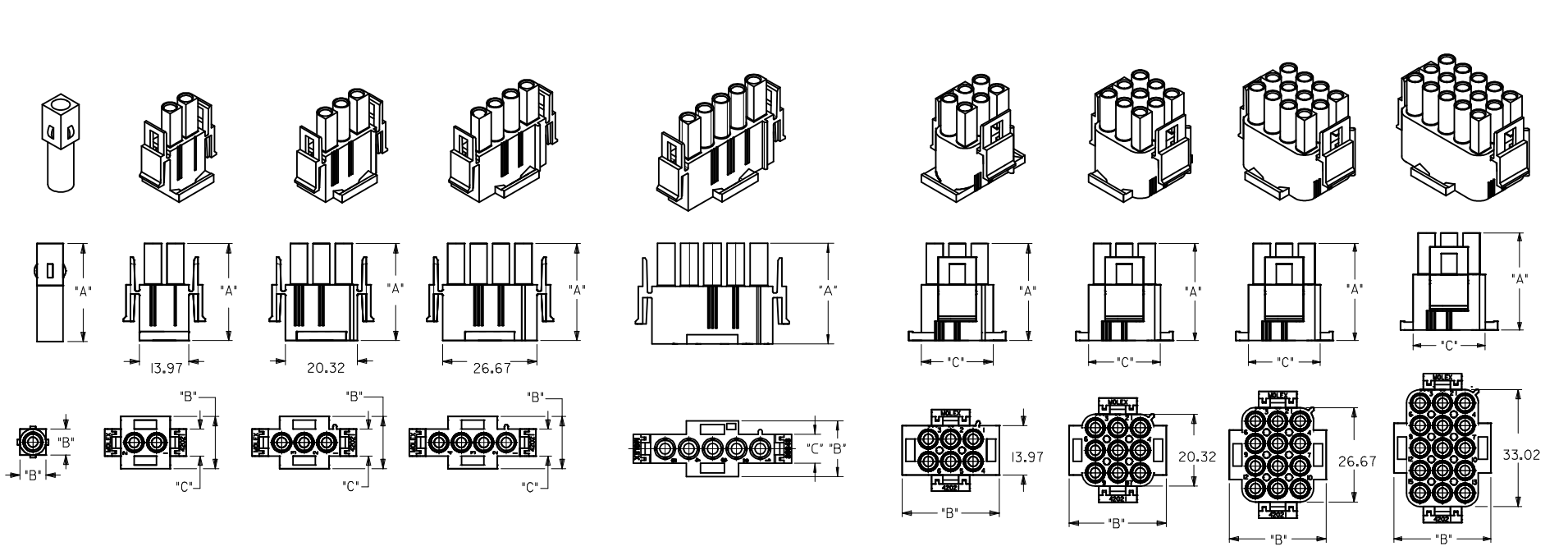
PART NO.	CIRCUIT SIZE	MATERIAL (SEE NOTE 1)	DIM. "A"	DIM. "B"	DIM. "C"
366430001	1	E	27.69	7.37	----
366430002	2	E	27.61	14.73	7.62
366430003	3	E	27.61	14.73	7.62
366430004	4	E	27.61	14.73	7.62
366430010	5	E	27.61	14.73	7.62
366430005	6	E	27.61	27.43	20.32
366430006	9	E	27.61	27.43	20.32
366430007	12	E	27.61	27.43	20.32
366430008	15	E	27.61	27.43	20.32

NOTES:

- MATERIAL CODE  
"E"= NYLON 94V-2  
COLOUR : NATURAL  
GLOW WIRE COMPATIBLE WITH CTI OF 325 VOLTS, ACCORDING TO IEC 60335-4TH EDITION
- UNLESS OTHERWISE INDICATED, DIMENSIONS ARE FOR REFERENCE ONLY
- PLUG HOUSINGS MATE WITH:
  - CAP HOUSINGS, 2.13 DIA.SERIES 36644(SD-36644-009)
  - HEADER ASSEMBLY, 2.13 DIA. SERIES 36757(SD-36757-0002)
- HOUSING DESIGNED TO BE USED WITH TERMINALS:
  - PINS, 2.13 DIA. SERIES 42023
  - SOCKETS, 2.13 DIA. SERIES 42024
- CONTACTS ARE ON 6.35 GRID CENTERLINE SPACING
- PRODUCT SPECIFICATION PS-42022-0001 APPLIES

SEE SHEET 1 IEC NO: I2018-0003 DRAWN BY: DRW:IGES 2017/08/30 CHKD:SNAGARAVENKA2017/08/30 APPR:KPRASAD 2017/09/07	DESCRIPTION REV	QUALITY SYMBOLS	GENERAL TOLERANCES (UNLESS SPECIFIED)	DIMENSION STYLE <b>MM ONLY</b>	SCALE <b>1:1</b>	DESIGN UNITS <b>METRIC</b>	THIRD ANGLE PROJECTION																												
		$\nabla=0$ $\nabla=0$ $\nabla=0$	<table border="1"> <tr> <th></th> <th>mm</th> <th>INCH</th> </tr> <tr> <td>4 PLACES</td> <td>± ---</td> <td>± ---</td> </tr> <tr> <td>3 PLACES</td> <td>± ---</td> <td>± ---</td> </tr> <tr> <td>2 PLACES</td> <td>± 0.25</td> <td>± ---</td> </tr> <tr> <td>1 PLACE</td> <td>± 0.36</td> <td>± ---</td> </tr> <tr> <td>0 PLACE</td> <td>± ---</td> <td>± ---</td> </tr> </table>		mm	INCH	4 PLACES	± ---	± ---	3 PLACES	± ---	± ---	2 PLACES	± 0.25	± ---	1 PLACE	± 0.36	± ---	0 PLACE	± ---	± ---	<table border="1"> <tr> <th>mm</th> <th>INCH</th> </tr> <tr> <td>± 0.25</td> <td>± ---</td> </tr> <tr> <td>± 0.36</td> <td>± ---</td> </tr> <tr> <td>± ---</td> <td>± ---</td> </tr> </table>	mm	INCH	± 0.25	± ---	± 0.36	± ---	± ---	± ---	DRAWN BY: MRAMAKRISHNA DATE: 2013/01/30 CHECKED BY: _____ DATE: _____	TITLE: HOUSING, PLUG 2.13 DIA. SERIES			
			mm	INCH																															
		4 PLACES	± ---	± ---																															
3 PLACES	± ---	± ---																																	
2 PLACES	± 0.25	± ---																																	
1 PLACE	± 0.36	± ---																																	
0 PLACE	± ---	± ---																																	
mm	INCH																																		
± 0.25	± ---																																		
± 0.36	± ---																																		
± ---	± ---																																		
ANGULAR ± ---° DRAFT WHERE APPLICABLE MUST REMAIN WITHIN DIMENSIONS			APPROVED BY: KPRASAD DATE: 2013/03/11	<b>molex</b> MATERIAL NO. SEE TABLE DOCUMENT NO. SD-36643-009 SHEET NO. 2 OF 2																															
THIS DRAWING CONTAINS INFORMATION THAT IS PROPRIETARY TO MOLEX INCORPORATED AND SHOULD NOT BE USED WITHOUT WRITTEN PERMISSION																																			

13 12 11 10 9 8 7 6 5 4 3 2 1




<b>REV</b> VIEWS UPDATED EC NO: 12018-0003 DRWNGES: 2017/08/30 CHKD: SAGARAVENKA 2017/08/30 APPR: KPRASAD 2017/09/07	<b>DESCRIPTION</b> QUALITY SYMBOLS ∇=0 ∇=0 ∇=0	GENERAL TOLERANCES (UNLESS SPECIFIED)		DIMENSION STYLE <b>MM ONLY</b>	SCALE <b>1:1</b>	DESIGN UNITS <b>METRIC</b>	THIRD ANGLE PROJECTION	
		4 PLACES ± --- ± ---	mm INCH	DRAWN BY MRAMAKRI SHNA	DATE 2013/01/30	TITLE <b>HOUSING, PLUG 2.13 DIA. SERIES</b>		
		3 PLACES ± --- ± ---		CHECKED BY KPRASAD	DATE 2013/03/11	APPROVED BY <b>molex</b>		
		2 PLACES ± 0.25 ± ---		APPROVED BY KPRASAD		DATE 2013/03/11	DOCUMENT NO. <b>SD-36643-009</b>	
1 PLACE ± 0.36 ± ---		ANGULAR ± --- °		MATERIAL NO. <b>SEE SHEET 2</b>	SHEET NO. 1 OF 2	THIS DRAWING CONTAINS INFORMATION THAT IS PROPRIETARY TO MOLEX INCORPORATED AND SHOULD NOT BE USED WITHOUT WRITTEN PERMISSION		
0 PLACE ± --- ± ---		DRAFT WHERE APPLICABLE MUST REMAIN WITHIN DIMENSIONS		SIZE <b>A2</b>				

PART NO.	CIRCUIT SIZE	MATERIAL (SEE NOTE 1)	DIM. "A"	DIM. "B"	DIM. "C"
366430001	1	E	27.69	7.37	----
366430002	2	E	27.61	14.73	7.62
366430003	3	E	27.61	14.73	7.62
366430004	4	E	27.61	14.73	7.62
366430010	5	E	27.61	14.73	7.62
366430005	6	E	27.61	27.43	20.32
366430006	9	E	27.61	27.43	20.32
366430007	12	E	27.61	27.43	20.32
366430008	15	E	27.61	27.43	20.32

NOTES:

- MATERIAL CODE  
"E"= NYLON 94V-2  
COLOUR : NATURAL  
GLOW WIRE COMPATIBLE WITH CTI OF 325 VOLTS, ACCORDING TO IEC 60335-4TH EDITION
- UNLESS OTHERWISE INDICATED, DIMENSIONS ARE FOR REFERENCE ONLY
- PLUG HOUSINGS MATE WITH:
  - CAP HOUSINGS, 2.13 DIA.SERIES 36644(SD-36644-009)
  - HEADER ASSEMBLY, 2.13 DIA. SERIES 36757(SD-36757-0002)
- HOUSING DESIGNED TO BE USED WITH TERMINALS:
  - PINS, 2.13 DIA. SERIES 42023
  - SOCKETS, 2.13 DIA. SERIES 42024
- CONTACTS ARE ON 6.35 GRID CENTERLINE SPACING
- PRODUCT SPECIFICATION PS-42022-0001 APPLIES

SEE SHEET 1 IEC NO: I2018-0003 DRAWN BY: DRW:IGES 2017/08/30 CHKD:SNAGARAVENKA2017/08/30 APPR:KPRASAD 2017/09/07	QUALITY SYMBOLS	GENERAL TOLERANCES (UNLESS SPECIFIED)	DIMENSION STYLE <b>MM ONLY</b>	SCALE <b>1:1</b>	DESIGN UNITS <b>METRIC</b>	THIRD ANGLE PROJECTION
	▽=0	4 PLACES ± --- ± ---	mm INCH	DRAWN BY DATE	TITLE	
	▽=0	3 PLACES ± --- ± ---		MRAMAKRISHNA 2013/01/30	HOUSING, PLUG 2.13 DIA. SERIES	
	▽=0	2 PLACES ± 0.25 ± ---		CHECKED BY DATE		
	1 PLACE ± 0.36 ± ---		APPROVED BY DATE			
	0 PLACE ± --- ± ---		KPRASAD 2013/03/11			
	ANGULAR ± ---°		MATERIAL NO.	DOCUMENT NO.	SHEET NO.	
	DRAFT WHERE APPLICABLE MUST REMAIN WITHIN DIMENSIONS		<b>SEE TABLE</b> THIS DRAWING CONTAINS INFORMATION THAT IS PROPRIETARY TO MOLEX INCORPORATED AND SHOULD NOT BE USED WITHOUT WRITTEN PERMISSION		SD-36643-009	2 OF 2