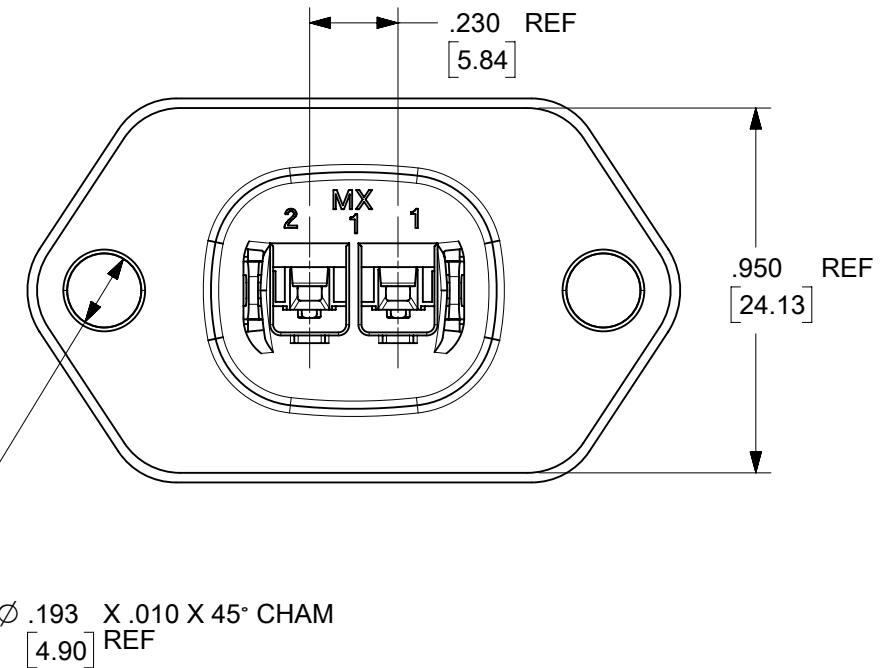
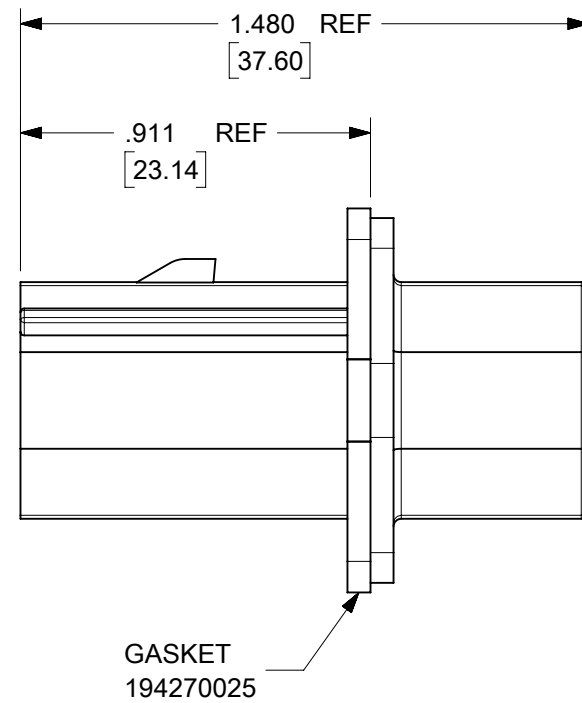
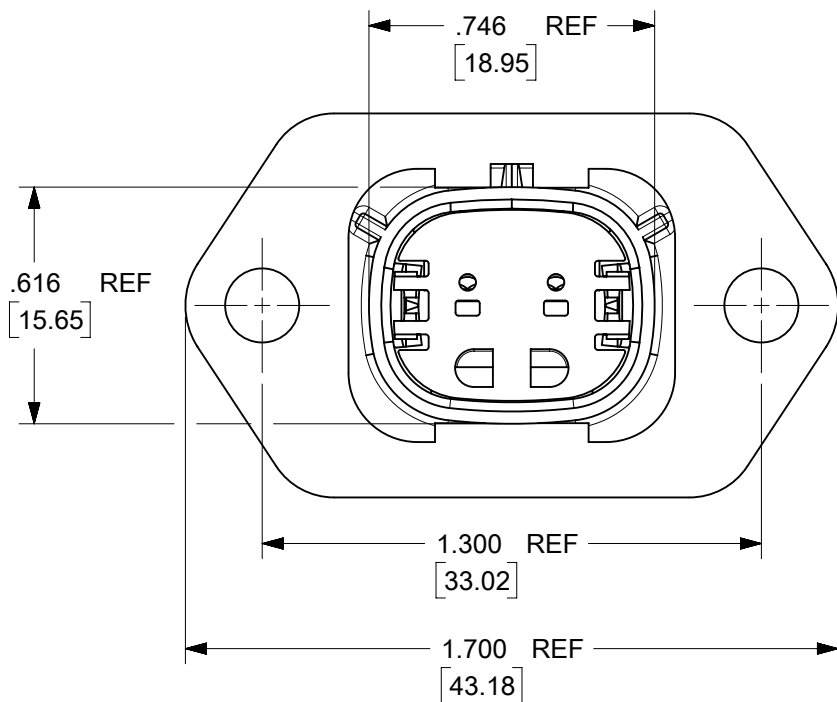


ASSEMBLED VIEW
SCALE 1:1

RECOMMENDED PANEL
MOUNT OPENING
MAX PANEL THK .080/2.03



194290041	YES
194290026	NO
MATERIAL NUMBER	GASKET

- NOTES:
- MATERIALS: HOUSING: SYNDIOTACTIC POLYSTYRENE (SPS), GLASS FILLED, UL94 V-0,COLOR: BLACK
GASKET: EPDM RUBBER
 - PRODUCT SPECIFICATION: PS-19417-001.
 - PACKAGING SPECIFICATION: PK-19429-001.
GASKETS, IF REQUIRED FOR THE ASSEMBLIES,ARE BULK PACKAGED IN A SEPARATE BAG.
 - MATES WITH: 19418 SERIES RECEPTACLE ASSEMBLIES.
 - USE CONNECTOR WITH MALE CRIMP TERMINAL: SERIES 19417.
 - RECOMMENDED MOUNTING HARDWARE: (2)#10 X .62/15.8 LONG PLASTIC THREAD CUTTING SCREWS. RECOMMENDED TORQUE 15-17 IN-LBS.
SUGGESTED SOURCE: ITW SHAKEPROOF INDUSTRIAL BOSSCREW OR EQUIVALENT.
 - ASSEMBLY IS ROHS COMPLIANT.

THIS DRAWING CONTAINS INFORMATION THAT IS PROPRIETARY TO MOLEX ELECTRONIC TECHNOLOGIES, LLC AND SHOULD NOT BE USED WITHOUT WRITTEN PERMISSION										
FUNCTIONAL SYMBOLS	DIMENSION UNITS	SCALE	CURRENT REV DESC: REDRAWN IN NX & HSG MATERIAL UPDATED							
$\nabla_A = 0$	in/[mm]	2:1	EC NO: 690910 DRWN: RMV02 2021/12/21 CHK'D: DMYRICK 2022/01/05 APPR: JMACNEIL 2022/01/06 INITIAL REVISION: DRWN: DMYRICK 2004/07/15 APPR: RDEROSS 2004/07/15							
$\nabla_E = 0$	GENERAL TOLERANCES (UNLESS SPECIFIED)									
$\nabla_P = 0$	MM	INCH								
DIVISIONAL SYMBOLS	4 PLACES	±	±	PRODUCT CUSTOMER DRAWING DOCUMENT NUMBER: SD-19429-009 DOC TYPE: PSD DOC PART: 001 REVISION: C MATERIAL NUMBER: SEE CHART CUSTOMER: GENERAL MARKET SHEET NUMBER: 1 OF 1						
	3 PLACES	±	± 0.015							
	2 PLACES	± 0.38	±							
	1 PLACE	±	±							
	0 PLACES	±	±							
	ANGULAR TOL	± 1.0°								
DRAFT WHERE APPLICABLE MUST REMAIN WITHIN DIMENSIONS			THIRD ANGLE PROJECTION	DRAWING	SERIES	MATERIAL NUMBER	CUSTOMER	SHEET NUMBER		
				B-SIZE	19429	SEE CHART	GENERAL MARKET	1 OF 1		