

USB 3.2 Gen1 – 5Gbit/sec Type-C Cable for Length 1,75m



Features

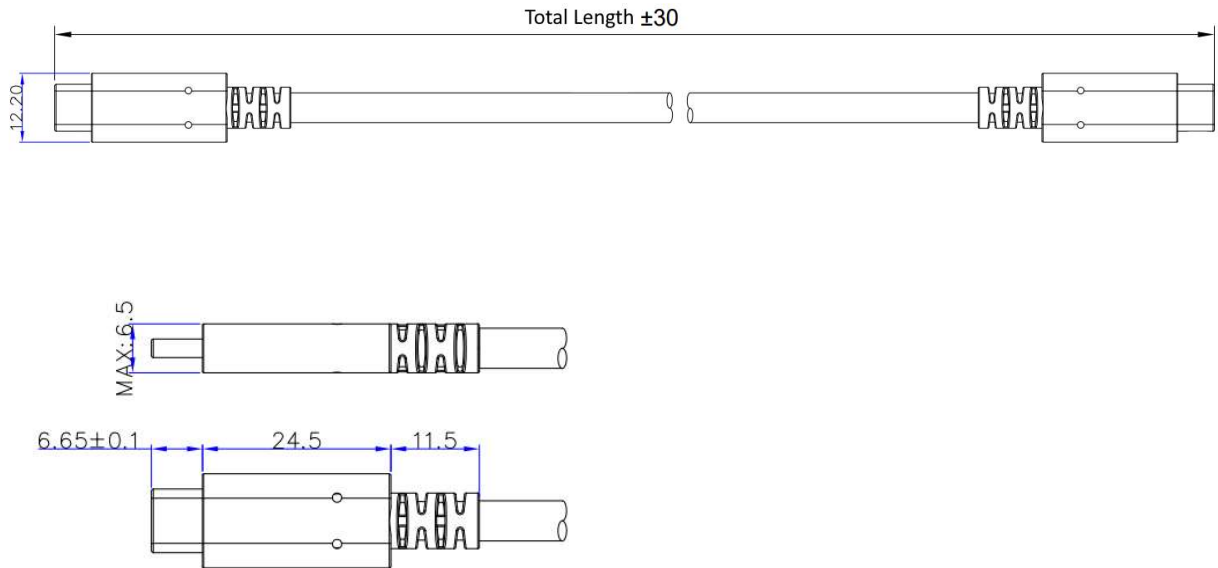
- Compliant with USB 3.2 Gen1 and backwards compatible with USB 3.1 Gen1 and USB 2.0
- Length up to 1,75m
- Datarate up to 5Gbit/sec
- Displayport Alt-Mode 4K/60Hz
- Fast Charging 3A/20V/60W

- Customization possible

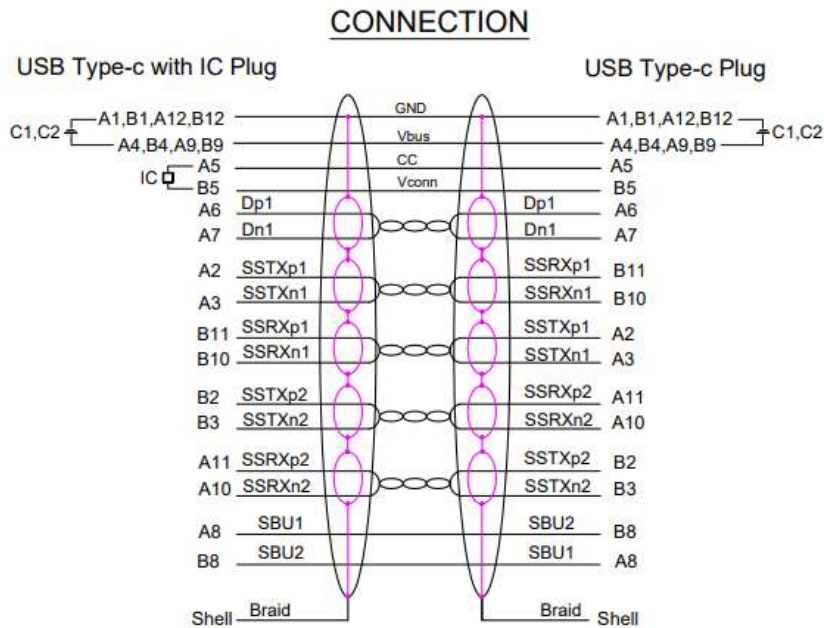
Applications

- Industrial PC
- Cameras + Vision Systems
- Docking stations
- Desktop, Tablets, and Mobile Phones
- Gaming consoles, Smart TVs

Physical Drawing



Connection



Specification

Supported USB	USB3.1 Gen1 + USB3.2 Gen1 USB2.0	
Supported Displayport	4K/60Hz in DP-Alt-Mode	
Maximum Data Rate	5Gbps	
E-Mark	Yes	
Supported Cable Length	Custom; max. 1,75m	
O.D.	5.0mm	
Cable Type	USB-C Cable	
Cable Jacket	PVC	
Cable Color	Black	
Plugs	A: USB-C Male, Nickel Plated	B: USB-C Male , Nickel Plated
Housings	A: PVC overmold	B: PVC overmold
Conductor Resistance	3Ω	
Output Current and Voltage	3A/20V/60W	
Compliance	RoHS/ Reach/ CE/ FCC	
Certifications	UL Production	
Flameability	UL94-VW1, Material with UL-File No.	
Standard Package	Bulk	
Production Standard	ISO9001+ISO14001+IATF16949	

How to order

TCC01-xxxxx <-> xxxxx = total Length in mm

Partnumber	Description
TCC01-xxxxx	xxxxx = Total Length in mm
TCC01-00500	Total Length = .500 mm
TCC01-01000	Total Length = 1.000 mm
TCC01-01100	Total Length = 1.100 mm
TCC01-01750	Total Length = 1.750 mm

Please contact us for customization

Available Options

- Custom length
- Custom connector
- Custom label on Cable
- Custom label on Packing
- Colour

DisplayPort™ and the DisplayPort™ logo are trademarks owned by the Video Electronics Standards Association (VESA®) in the United States and other countries.

USB Type-C® and USB-C® are registered trademarks of USB Implementers Forum.