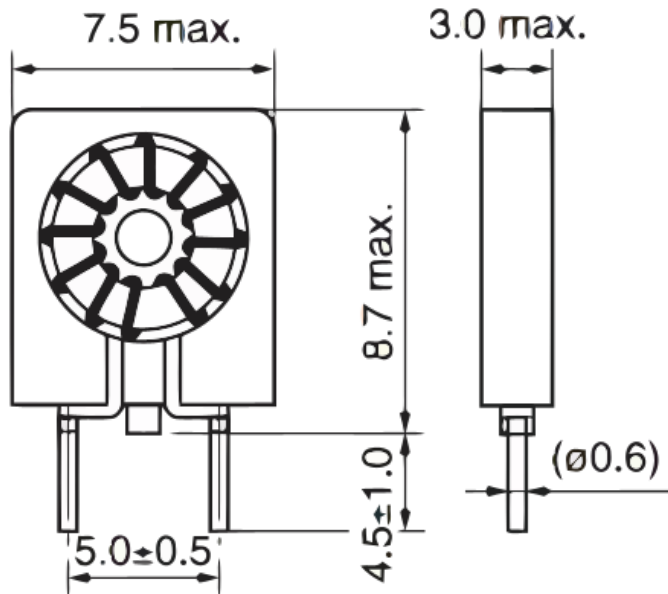


## SBT-0208TF

Aliases (UDLSBT00208TF0)

KEMET, SBT, DC Line Filters, Normal Mode, 8000 nH, 50%



Click [here](#) for the 3D model.

### Dimensions

L	7.5mm MAX
W	3mm MAX
T	3mm MAX
H	8.7mm MAX
LL	4.5mm +/-1mm
S	5mm +/-0.5mm

### Packaging Specifications

Packaging	T&R
Packaging Quantity	1000
Component Weight	240 mg

### General Information

Series	SBT
Style	Through-Hole
RoHS	Yes
Miscellaneous	Inductance: 70mAmps (1kHz).

### Specifications

Voltage DC	50 VDC
Inductance	8 uH
Inductance Tolerance	50%
Temperature Range	-25/+70°C
DC Resistance	20 mOhms