



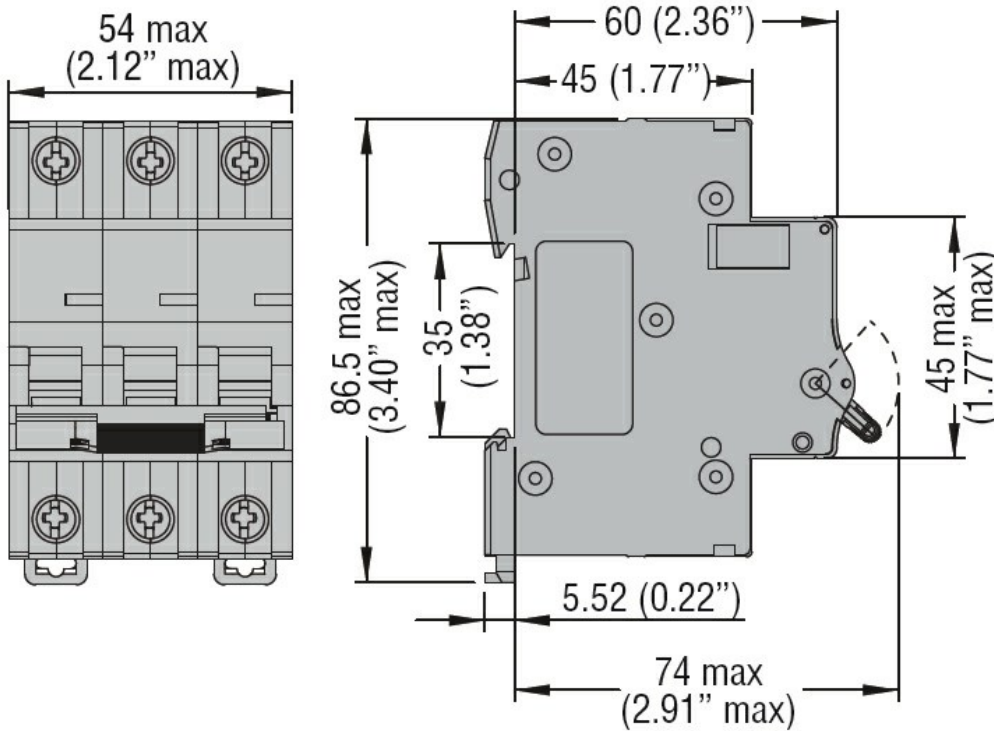
Product designation	Miniature circuit breaker (MCB)
Product type designation	P1 MB
Number of DIN modules	3
Compliance	IEC / UL1077

Electrical features			
Rated insulation voltage U_i IEC/EN	V		440
Rated impulse withstand voltage U_{imp}	kV		4
Rated operational voltage AC (IEC)	VAC		230/400
Rated operational voltage DC	VDC		80
Rated frequency	Hz		50/60
Rated current (I_n)	A		3
Tripping curve			C
Short circuit rating (IEC)	kA		10
Power dissipation per pole max	W		0.96

Ambient conditions			
Operating temperature	min	°C	-35
	max	°C	+70
Storage temperature	min	°C	-40
	max	°C	+80
Max altitude		m	2000

Mechanical features			
Operating position		normal	Vertical plan
	Fixing		35mm DIN rail
Tightening torque for terminals	max	Nm	2
	max	Ibin	15
Terminals tool			Pz 2
Conductor section	IEC	min	mm ² 1
		max	mm ² 35
	AWG/Kcmil	min	14
		max	6
Weight		g	345
Frontal IP degree			IP20
Pollution degree			2

Dimensions



Certifications and compliance

Compliance

CSA C22.2 n°235. UR "UL Recognized" per Canada e USA.

IEC/EN 60898-1

IEC/EN 60947-2

UL 1077

Certifications

cURus

EAC

TÜV-Rheinland