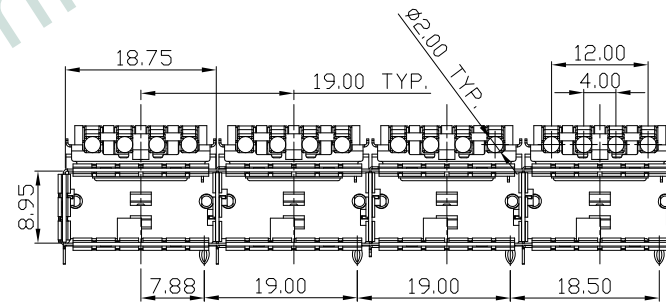
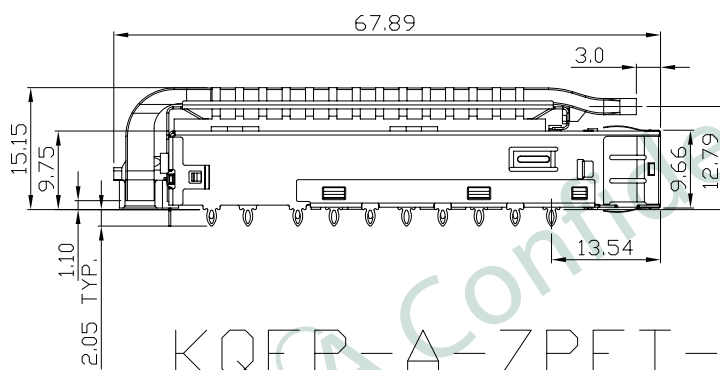
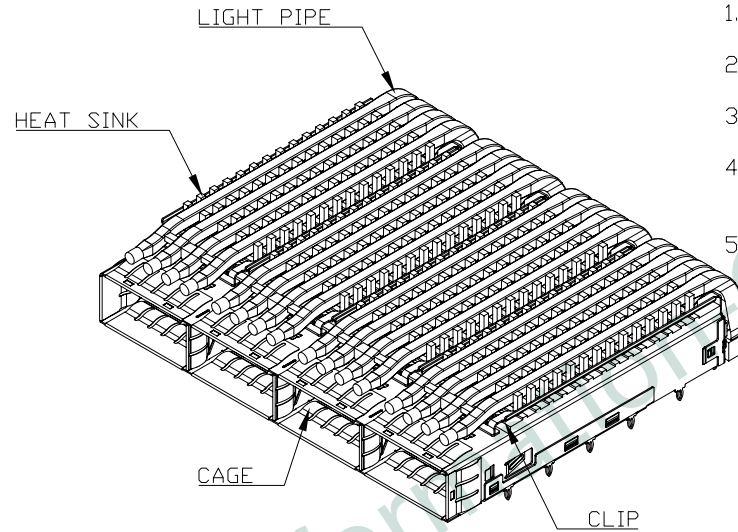
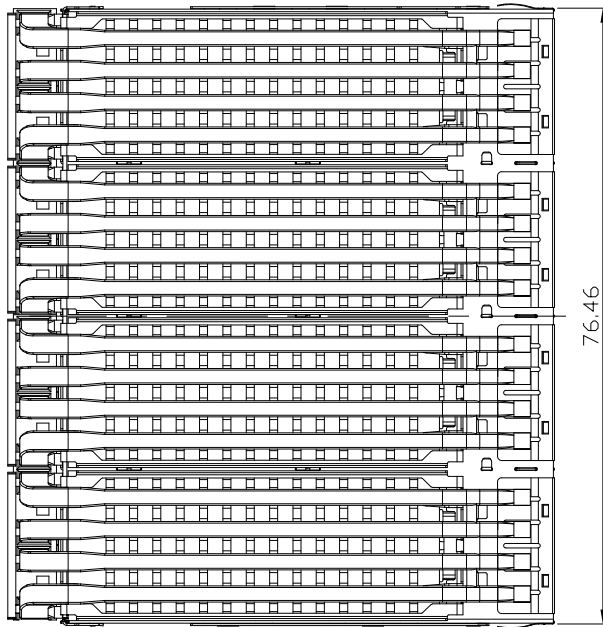


REV.	DATE	DESCRIPTION
01	Jan. 05, '18	1st RELEASE

RoHS Compliant

NOTES:

1. CAGE: COPPER ALLOY
2. HEAT SINK: ALUMINUM
3. CLIP: STAINLESS STEEL
4. LIGHT PIPE: POLYCARBONATE COLOR CLEAR (SIZE: 2.5X3.5mm)
5. UNSPECIFIED TOLERANCE: .XXX ±0.15
.XX ±0.25
.X ±0.15



KQFP-A-ZPFT-04S1

PRODUCT
A: CAGE

CATAGORY
Z: QSFP 28

TERMINATAL / TYPE
PF: PRESS FIT

SERIAL NUMBER

OPTION
S: W/QUAD LIGHT PIPE,
W/SAN HEIGHT HEAT SINK

NUMBER OF PART

EMI TYPE
T: THROUGH BEZEL

PART NO		KQFP-A-ZPFT-04S1		
TITLE	QSFP 28 1X4 CAGE, HEAT SINK, PRESS FIT TYPE			
REV : 01				
UNIT	DRAWN	CHKD	DATE	SHEET
mm[inch]	CINDY	VINCENT	Jan. 26, '18	1 of 4

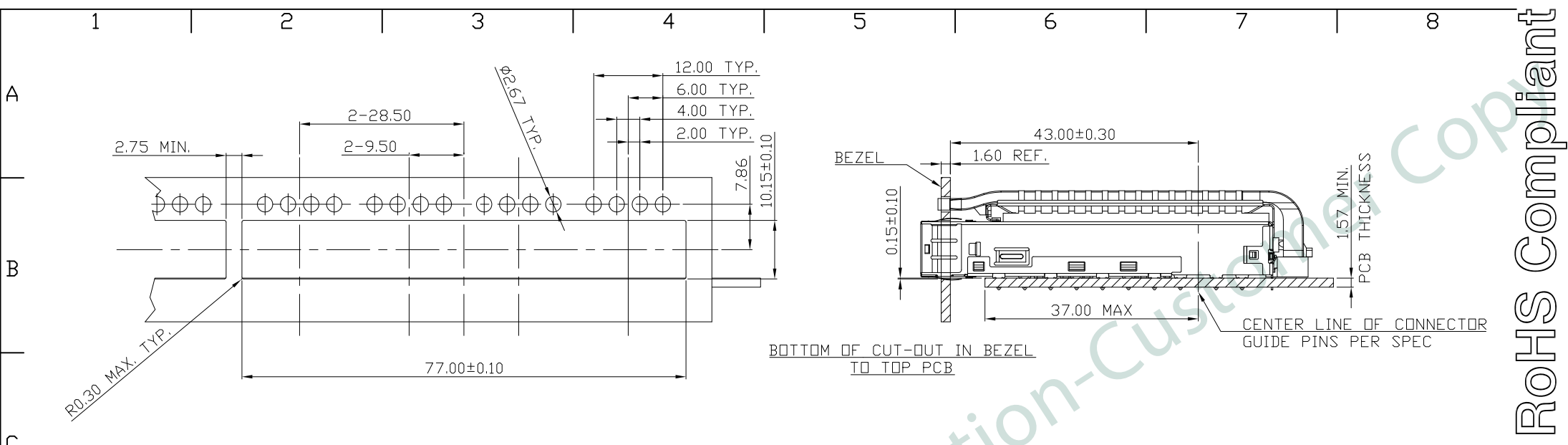
DWG NO KQFP-A-ZPFT-04S1

KinnexA, INC. 8F, No. 172, CHENG TEH ROAD SEC. 4, TAIPEI 11167, TAIWAN

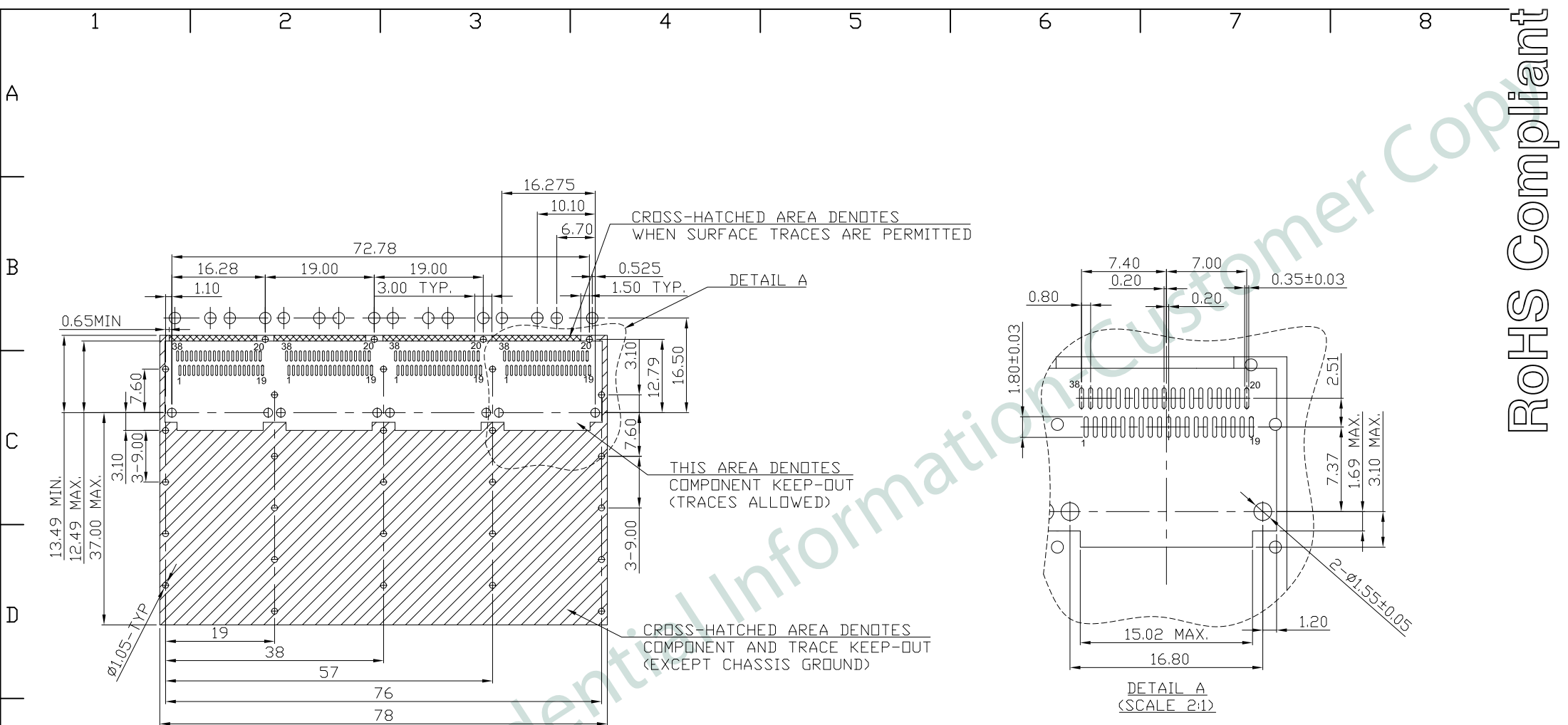
Connected by **KinnexA**

PRELIMINARY RELEASE SUBJECT TO CHANGE

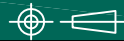
※ THIS DRAWING IS A CONTROLLED DOCUMENT ※

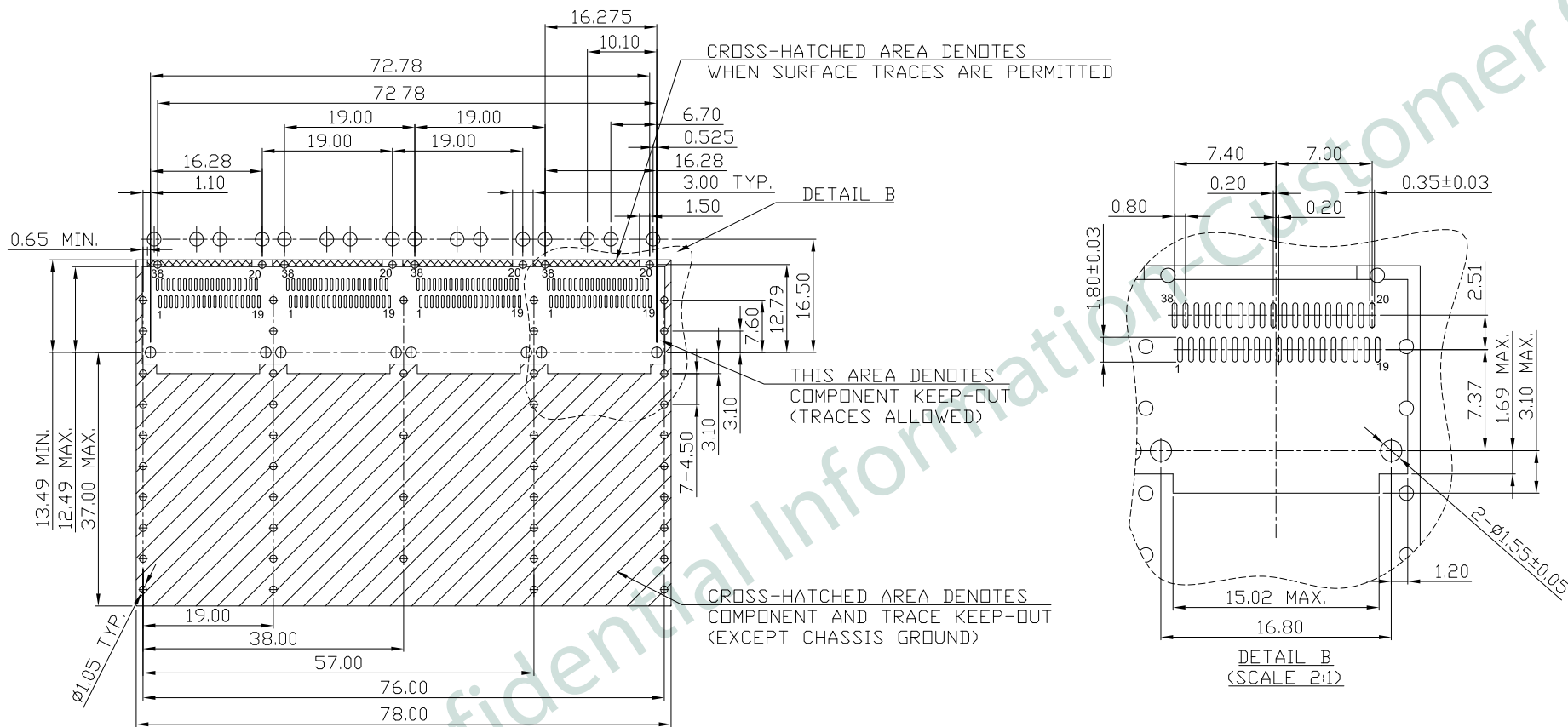


PART NO		KQFP-A-ZPFT-04S1		
TITLE		QSFP 28 1X4 CAGE, HEAT SINK, PRESS FIT TYPE		
REV : 01				
UNIT	DRAWN	CHKD	DATE	SHEET
mm[inch]	CINDY	VINCENT	Jan. 26, '18	2 of 4




RECOMMENDED PCB LAYOUT (COMPONENT SIDE)
 RECOMMENDED MINIMUM PCB THICKNESS: 1.57mm
 (ALL TOLERANCES ARE ±0.05)
 SINGLE SIDED APPLICATIONS

 PART NO		KQFP-A-ZPFT-04S1		
TITLE		QSFP 28 1X4 CAGE, HEAT SINK, PRESS FIT TYPE		
REV : 01				
UNIT	DRAWN	CHKD	DATE	SHEET
mm[inch]	CINDY	VINCENT	Jan. 26, '18	3 of 4



RECOMMENDED PCB LAYOUT (COMPONENT SIDE)
 RECOMMENDED MINIMUM PCB THICKNESS: 3.00mm
 (ALL TOLERANCES ARE ±0.05)
 BELLY TO BELLY APPLICATIONS

 PART NO. KQFP-A-ZPFT-04S1				
TITLE	QSFP 28 1X4 CAGE, HEAT SINK, PRESS FIT TYPE			
REV : 01				
UNIT	DRAWN	CHKD	DATE	SHEET
mm[inch]	CINDY	VINCENT	Jan. 26, '18	4 of 4