

ER-HWB1

Hinged Wall Bracket - 1 Space

Product Features:

Provides easy access to the back of panels

Right or left hand opening

Depth - 4"

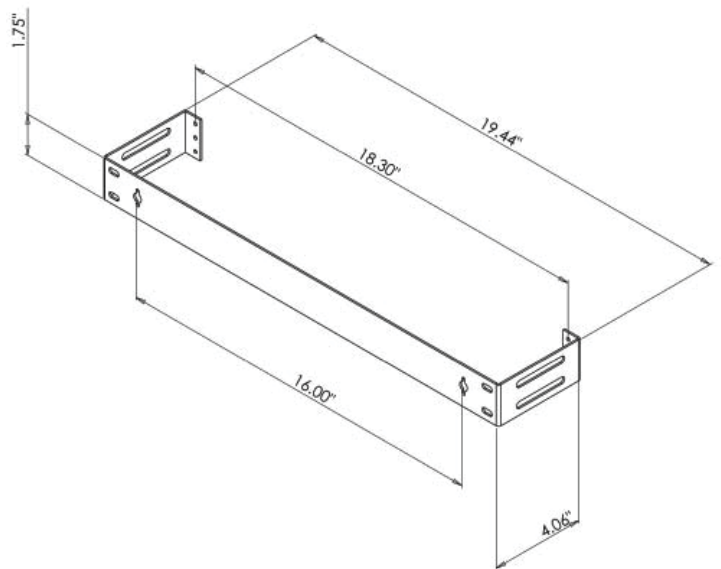
Includes 10 - 32 and 12 - 24 rack screws

Black static resistant powder coat finish

Product Specifications:

(for Architects & Engineers)

The hinged wall bracket for the equipment rack shall be the Video Mount Products (VMP) model ER-HWB1. The bracket shall be compatible with standard 19" equipment racks without modification. The bracket shall be 4" in depth and be able to open right or left handed. The bracket shall be painted with a durable static resistant black powder coat finish.



Video Mount Products

345 Log Canoe Circle

Stevensville, MD 21666

Toll Free: 877.281.2169

Telephone: 410.643.6390

Facsimile: 410.643.6615

www.videomount.com

VMP
VIDEO MOUNT PRODUCTS