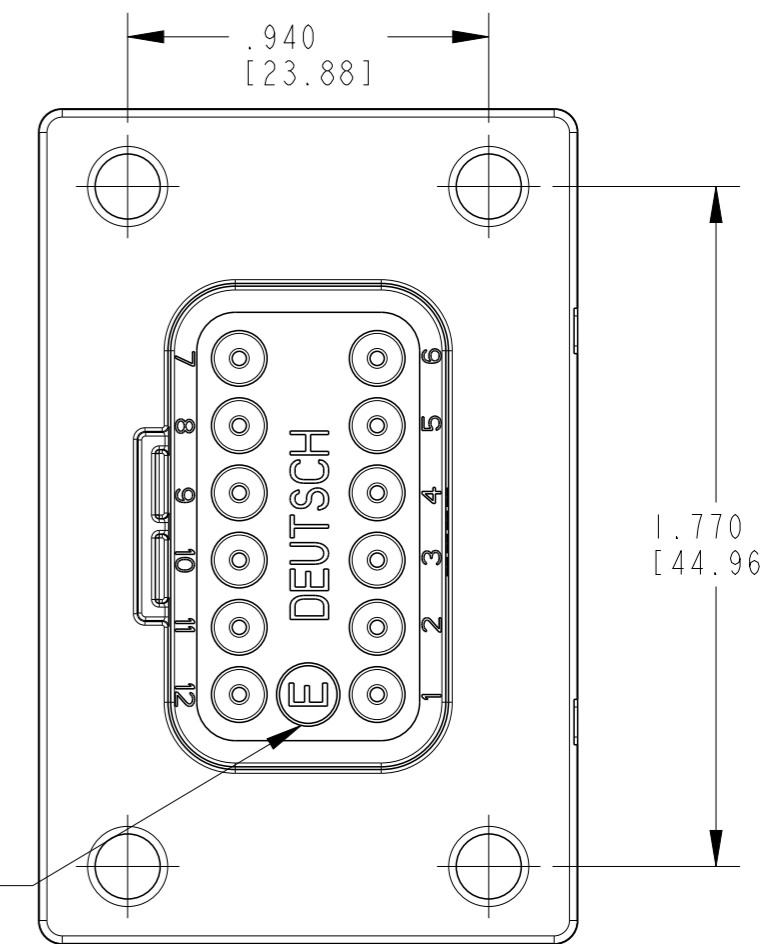
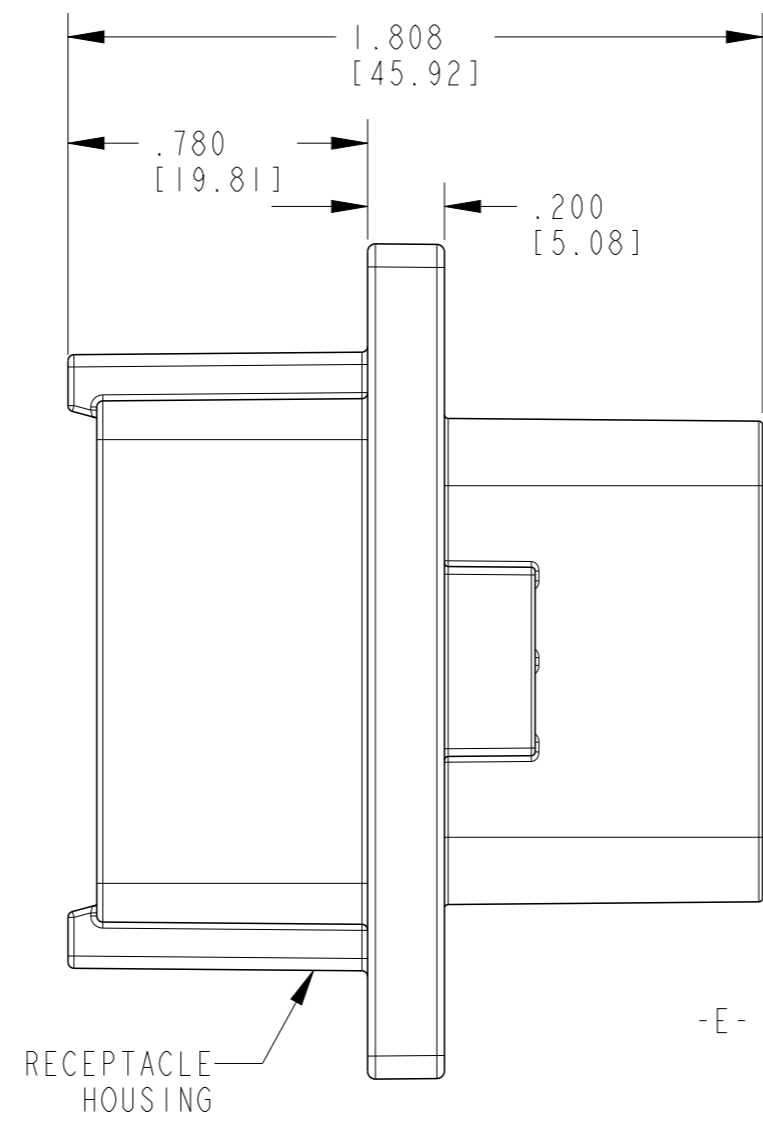
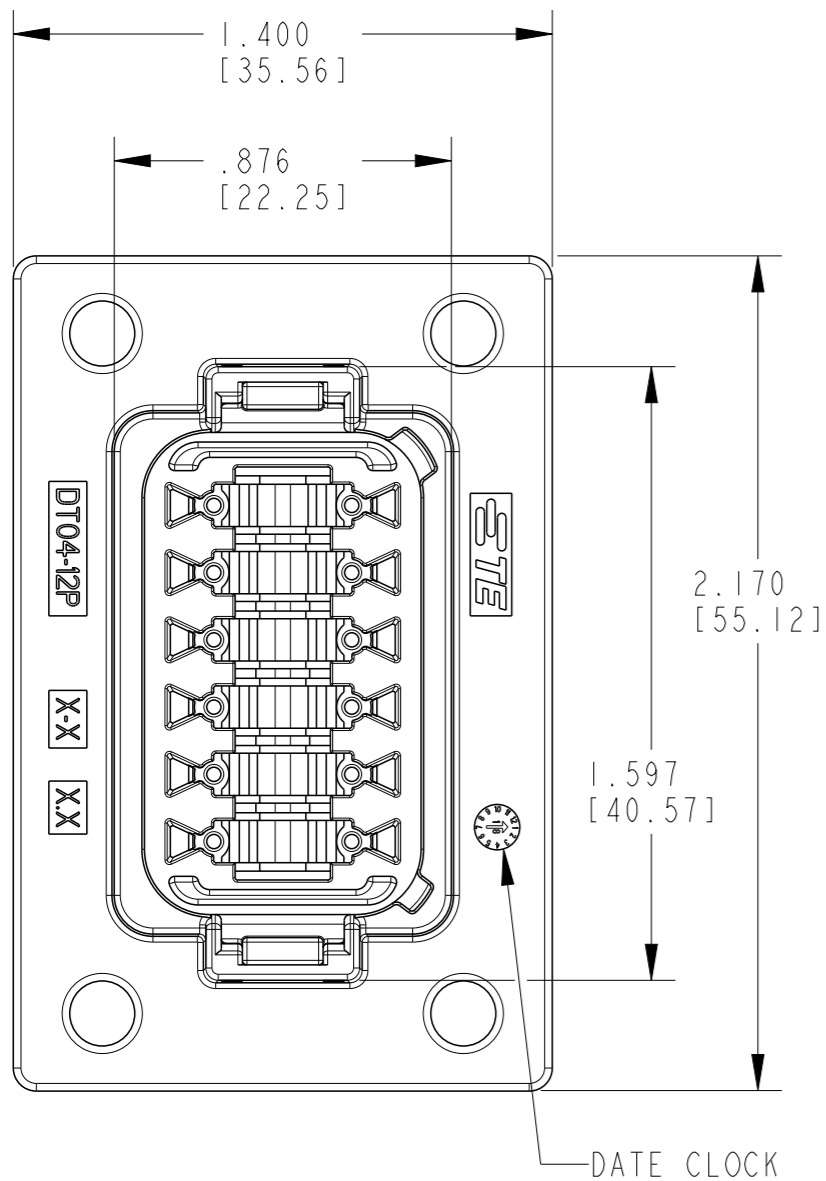


P	LTR	DESCRIPTION	DATE	DWN	APVD
NC		NEW RELEASE PER E.O. P19833	12MAY2008	-	RDR
A		REVISED PER E.O. P20438	18MAY2010	-	RDR
B		REVISED PER PCN E-20-009825	08JUL2020	PMV	IG



-E- SYMBOL DESIGNATES REDUCED WIRE SEAL

- 7. SECONDARY WEDGE LOCK SOLD SEPARATELY: W12P-XXXX. (XXXX = ALL MODIFICATIONS)
- 6. RECOMMENDED SCREW: 6-32 [M4].
RECOMMENDED TORQUE: 20-25 IN-LB [2.26-2.82 Nm].
- 5. MATERIAL - HOUSING: PA66 GF15
GROMMET: VMQ (BURNT RED)
- 4. THIS RECEPTACLE MATES WITH DT06-12SX-XXXX PLUG. (X = KEY ARR. A,B,C,D; XXXX = ALL MODIFICATIONS)
CONSULT FACTORY FOR MODIFICATIONS.
- 3. FOR CONTACT AND WIRE PERFORMANCE AND APPLICATION CHARACTERISTICS, SEE ENVELOPE DRAWING 0425-015-0000.

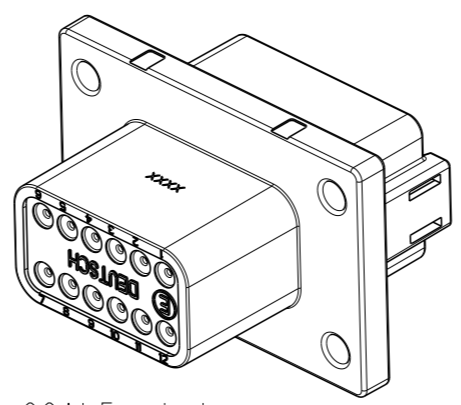
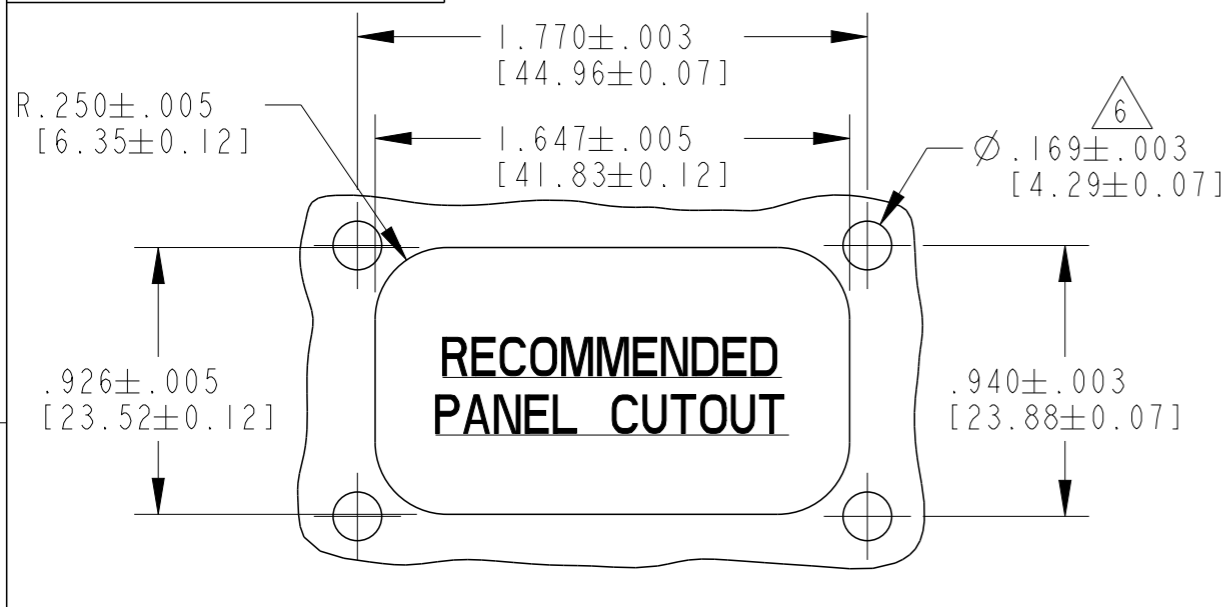
CONTACT SIZE	MIN. INSUL. O.D.	MAX. INSUL. O.D.	WIRE RANGE [mm ²] REF ONLY
16	.053 [1.35]	.120 [3.05]	14-20 AWG [2.0-0.5]

NOTES: 1. DELETED

2. DELETED

THIS DRAWING IS A CONTROLLED DOCUMENT.		DWN 24APR2008 R. MESSENGER		TE Connectivity	
DIMENSIONS: INCHES [mm]		CHK 14MAY2010 R. MCCORD			
		TOLERANCES UNLESS OTHERWISE SPECIFIED:		NAME 12 WAY RECEPTACLE FLANGE E SEAL DT SERIES	
		0 PLC ±- 1 PLC ±- 2 PLC ±- 3 PLC ±.025 [0.64] 4 PLC ±- ANGLES ±0° 30' 0"		APVD 04MAY2010 S. BEARD	
MATERIAL 5		FINISH -		PRODUCT SPEC 108-151009	
				APPLICATION SPEC 114-151009	
				WEIGHT -	
CUSTOMER DRAWING				SIZE A3	CAGE CODE 00779
				DRAWING NO. C-DT04-12PX-CL03	RESTRICTED TO -
				SCALE 2:1	SHEET 1 OF 2
				REV B	

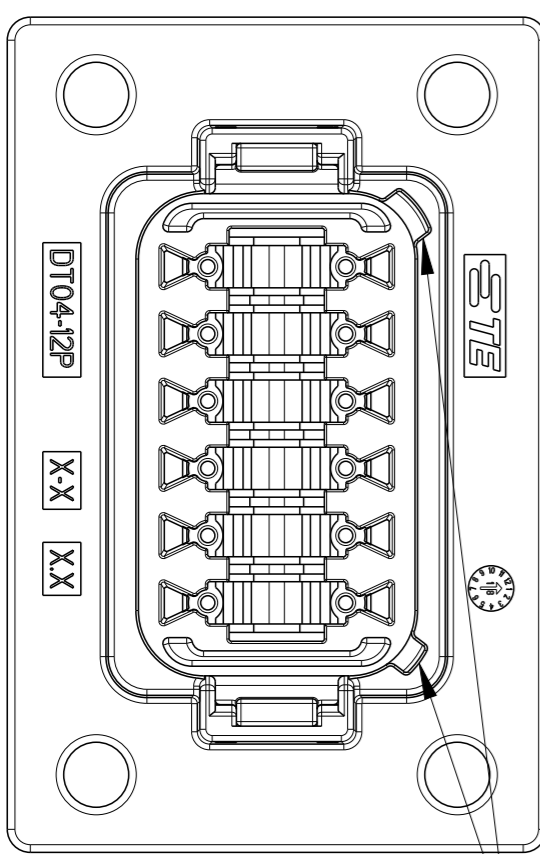
P	LTR	DESCRIPTION	DATE	DWN	APVD
-	-	SEE SHEET 1	-	-	-



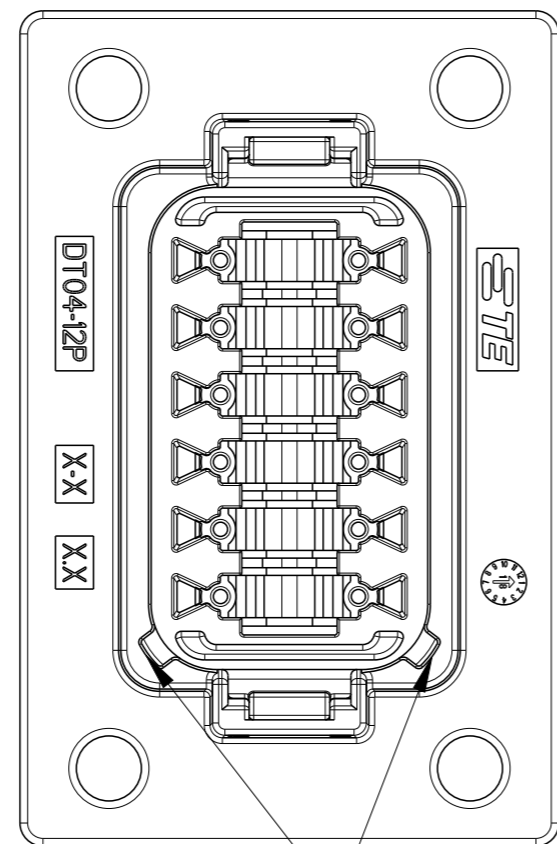
SCALE 1:1
3-DIMENSIONAL VIEW

**DT04-12PA-CL03
KEY -C-
COLOR: GREEN**

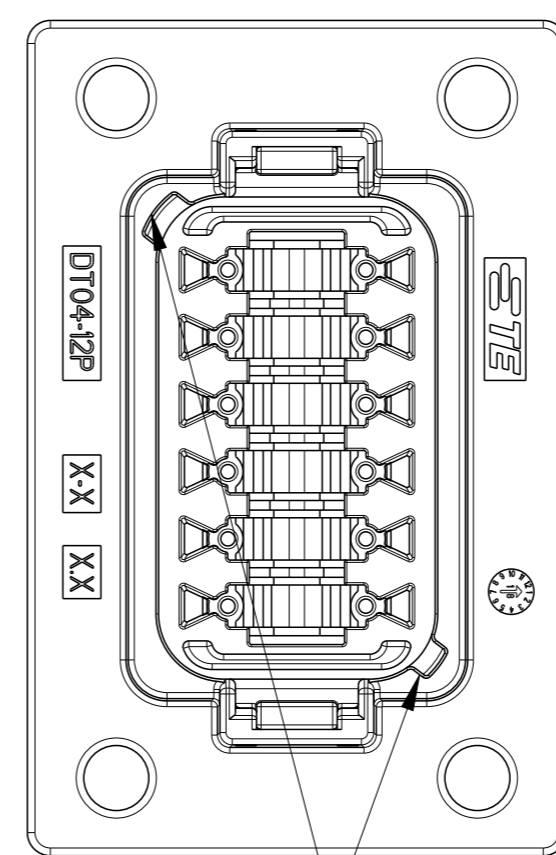
**DT04-12PA-CL03
KEY -D-
COLOR: BROWN**



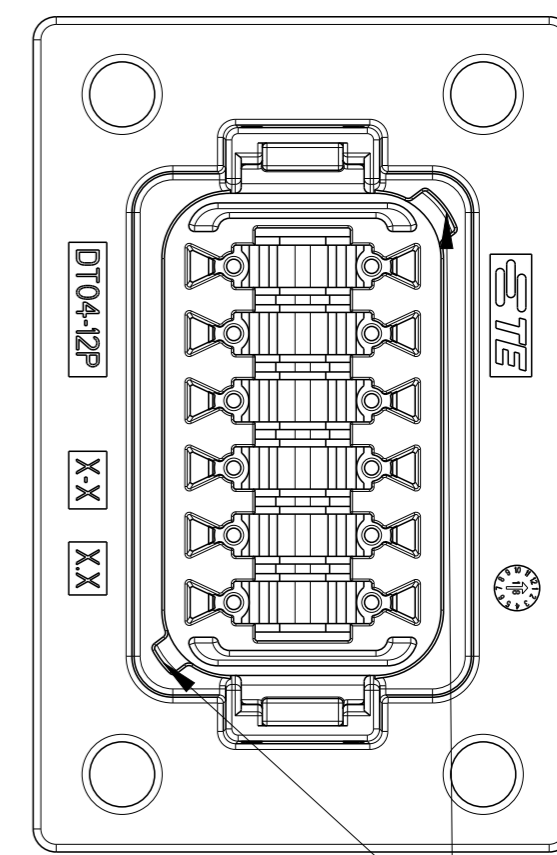
**DT04-12PA-CL03
KEY -A-
COLOR: GRAY**



**DT04-12PA-CL03
KEY -B-
COLOR: BLACK**



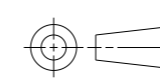
KEY -C-



KEY -D-

THIS DRAWING IS A CONTROLLED DOCUMENT.

DIMENSIONS:
INCHES [mm]



TOLERANCES UNLESS OTHERWISE SPECIFIED:

0 PLC	±-
1 PLC	±-
2 PLC	±-
3 PLC	±.025 [0.64]
4 PLC	±-
ANGLES	±0° 30' 0"
MATERIAL	FINISH
-	-

DWN	R. MESSENGER	24APR2008
CHK	R. MCCORD	14MAY2010
APVD	S. BEARD	04MAY2010
PRODUCT SPEC	108-151009	
APPLICATION SPEC	114-151009	
WEIGHT	-	
CUSTOMER DRAWING		



NAME
**12 WAY RECEPTACLE FLANGE E SEAL
DT SERIES**

SIZE	CAGE CODE	DRAWING NO	RESTRICTED TO
A3	00779	DT04-12PX-CL03	-

SCALE	SHEET	OF	REV
2:1	2	2	B