

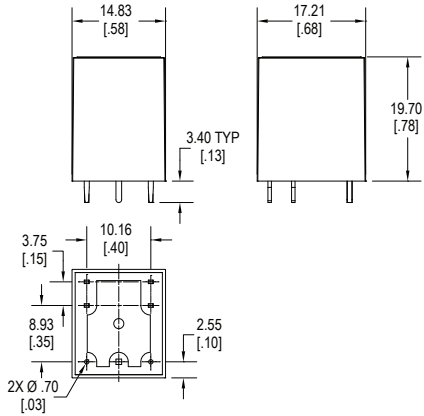
A4

Ordering Information

1. Series	A4	1C	S	12VDC
A4				
2. Contact Arrangement				
1A = SPST N.O.	2A = (2) SPST N.O.			
1C = SPDT	2C = (2) SPDT			
1U = SPST N.O.	2U = (2) SPST N.O.			
1W = SPDT	2W = (2) SPDT			
3. Sealing Option				
S = Sealed				
C = Dust cover				
4. Coil Voltage				
12VDC				
24VDC				

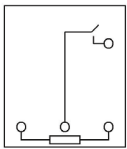
Dimensions

Units = mm

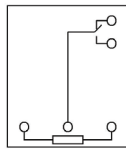


Schematics & PC Layouts

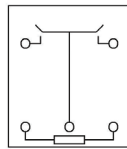
Bottom Views



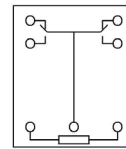
1A



1C



1U



1W

