



LAYOUT SHOWN AS EXAMPLE

Keying Shown as example

**CHARACTERISTICS**

- Standard : Based on MIL-DTL-38999 Series III
- Shell Material : Aluminium
- Shell Plating : Nickel
- Insulator : Thermoplastic
- Contacts : Copper Alloy
- Seals & Grommet : Silicon Elastomer
- Contact Plating : Gold over copper Alloy 0.8µm minimum
- Durability : 500 Mating cycles
- Delivered without Souriau contacts
- Temperature Range : -65°C to +200°C
- Salt Spray : 48 hours

| Connector dimension |               |
|---------------------|---------------|
| Dim                 | Nominal       |
| P                   | 3.25±0.2      |
| PP                  | 4.93±0.2      |
| R1                  | 29.36         |
| R2                  | 26.97         |
| S                   | 36.5±0.3      |
| V                   | 20.83+0/-1.25 |
| W                   | 2.1/2.5       |
| Z                   | 31.5 Max      |
| VV THREAD           | M28x1-6g      |

SOURIAU shall not be liable for any non-conformity or damage due to a use of the Products which does not comply with the Specifications issued by either of the Parties or by a third party (professional recommendation, technical notice.)

|         |                             |
|---------|-----------------------------|
| Country | Jurisdiction & Control List |
| FR      | Not Listed                  |

**PN: 8D019F18PCL**

|                |                                       |                                |   |
|----------------|---------------------------------------|--------------------------------|---|
| A              | 08-10-2016                            | First Release                  |   |
| ISS            | DATE                                  | Latest modification - by       | MOD N°  |
| Designed By:   |                                       | Date:                          | <b>CUSTOMER DRAWING</b>   |
| <b>TITLE</b>   | <b>Aluminium Receptacle 8D series</b> |                                |   |
| SCALE          | NA                                    | General linear Tolerances: ±-- | NPRDS / PROJECT<br><b>859</b>   |
| <b>SOURIAU</b> | <b>WWW.SOURIAU.COM</b>                |                                | This document is the property of SOURIAU it must not be reproduced or communicated without permission |
| FORMAT         | <b>A3</b>                             |                                | <b>SOURIAU DRG N° 8D019F18PCL-C</b>   |
|                |                                       |                                | SHEET<br>1/2  |

BASIC SERIES: 8D 0 - 19 F 18 P C L

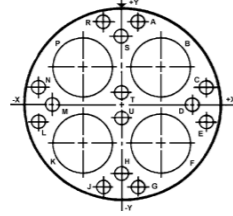
SHELL TYPE : Square Flange Receptacle Delivered W/O Contacts

CONTACT TYPE : Standard Crimp Contact ORIENTATION : C

SHELL SIZE : 19 CONTACT TYPE : PIN(500 Matings)

PLATING : F = Nickel CONTACT LAYOUT : 19-18

Contact Layout



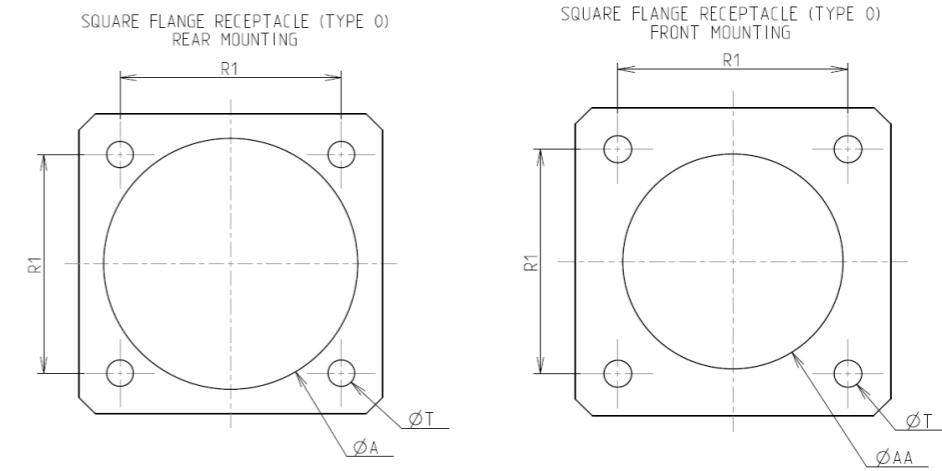
(Inactive for new design for MIL-DTL-38999. For new design, use arrangement no. 19-19.)

| Contacts<br>(Insert arrangement 19-18) |             |             |                     |             |             |                  |
|--|-------------|-------------|---------------------|-------------|-------------|------------------|
| Contact position ID                    | Location    |             | Contact position ID | Location    |             | Standard contact |
|  | X-axis (mm) | Y-axis (mm) |                     | X-axis (mm) | Y-axis (mm) |                  |
| A                                      | +068 (1.73) | +380 (9.65) | K                   | -180 (4.57) | -180 (4.57) | M39029/90-529    |
| B                                      | +180 (4.57) | +180 (4.57) | L                   | -377 (9.58) | -065 (1.65) |                  |
| C                                      | +377 (9.58) | +065 (1.65) | M                   | -317 (8.05) | +000 (0.00) | M39029/58        |
| D                                      | +317 (8.05) | +000 (0.00) | N                   | -377 (9.58) | +065 (1.65) |                  |
| E                                      | +377 (9.58) | -065 (1.65) | P                   | -180 (4.57) | +180 (4.57) | M39029/91-530    |
| F                                      | +180 (4.57) | -180 (4.57) | R                   | -068 (1.73) | +380 (9.65) |                  |
| G                                      | +068 (1.73) | -380 (9.65) | S                   | +000 (0.00) | +319 (8.10) | M39029/56        |
| H                                      | +000 (0.00) | -319 (8.10) | T                   | +000 (0.00) | +044 (1.12) |                  |
| J                                      | -068 (1.73) | -380 (9.65) | U                   | +000 (0.00) | -044 (1.12) |                  |

| Shell size | Arrangement No. | Number of contacts | Size contacts (see note) | Service rating | Contact location | Standard contact |               |
|------------|-----------------|--------------------|--------------------------|----------------|------------------|------------------|---------------|
|            |                 |                    |                          |                |                  | Pin              | Socket        |
| 19         | 18              | 4                  | 8                        | Twinax         | B, F, K, P       | M39029/90-529    | M39029/91-530 |
|            |                 | 14                 | 22D                      | M              | All others       | M39029/58        | M39029/56     |

Panel Cutout



| Dim | Nominal    |
|-----|------------|
| ØA  | 32.96 min  |
| ØAA | 28.98 min  |
| R1  | 29.36      |
| ØT  | 3.25 ±0.13 |

SOURIAU shall not be liable for any non-conformity or damage due to a use of the Products which does not comply with the Specifications issued by either of the Parties or by a third party (professional recommendation, technical notice.)

| Country | Jurisdiction & Control List |
|---------|-----------------------------|
| FR      | Not Listed                  |

PN: 8D019F18PCL

|                |                                     |                                |   |
|----------------|-------------------------------------|--------------------------------|---|
| A              | 08-10-2016                          | First Release                  |   |
| ISS            | DATE                                | Latest modification - by       | MOD N°  |
| Designed By:   |                                     | Date:                          | <b>CUSTOMER DRAWING</b>   |
| <b>TITLE</b>   | Aluminium Receptacle 8D series      |                                |   |
| SCALE          |                                     | General linear Tolerances: ±-- | NPRDS / PROJECT<br><b>859</b>   |
| NA             |                                     |                                |   |
| <b>SOURIAU</b> | <b>WWW.SOURIAU.COM</b>              |                                | This document is the property of SOURIAU it must not be reproduced or communicated without permission |
| FORMAT         | <b>SOURIAU DRG N° 8D019F18PCL-C</b> |                                | SHEET<br>2/2  |