

NOTE:

MATERIAL

HOUSING: PBT UL94V-0, BLACK  
 CONTACT: COPPER ALLOY  
 NUT: COPPER ALLOY  
 SHELL: COPPER ALLOY  
 O-RING: EPDM, BLACK

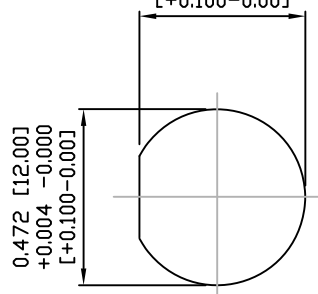
FINISH

CONTACT: GOLD PLATED  
 OVER 50u" NICKEL  
 NUT: NICKEL PLATED  
 60u" TO 100u" OVER ALL  
 SHELL: NICKEL PLATED  
 60u" TO 100u" OVER ALL

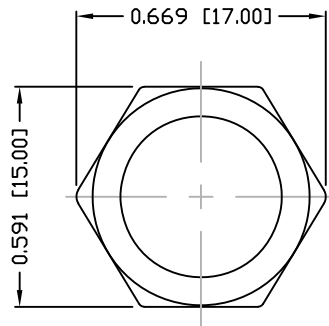
ELECTRICAL

RATED CURRENT: 4A  
 RATED VOLTAGE: 250V  
 INSULATION RESISTANCE: 100 MΩhms MIN.  
 CONTACT RESISTANCE: 10 mΩhms MAX.  
 WATER PROOF: IP67  
 ENVIRONMENT  
 OPERATION TEMPERATURE: -40°C TO +85°C  
 MAX WIRE AWG: 22

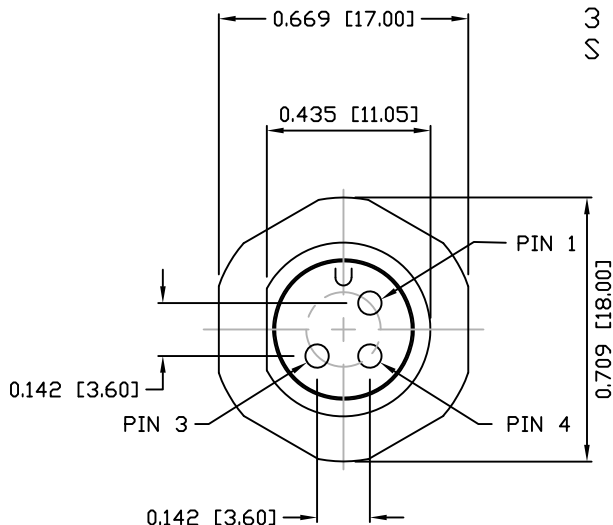
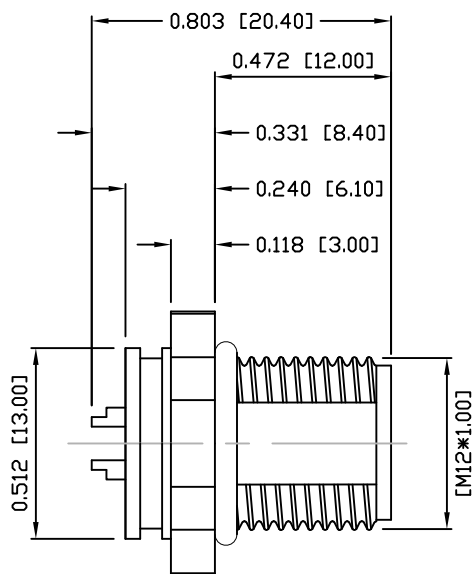
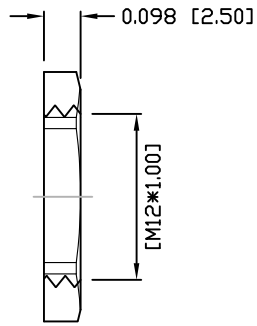
0.445 [11.30]  
 +0.004 -0.000  
 [+0.100-0.000]



PANEL CUTOUT



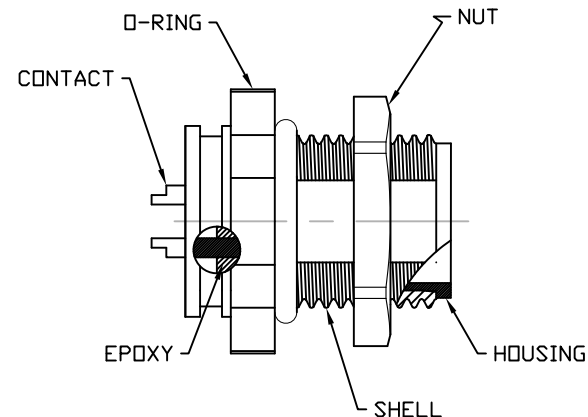
NUT



3 = COPPER ALLOY/NICKEL SHELL & NUT  
 S = STAINLESS STEEL SHELL & NUT

859-R03-103R00Y

1 = GOLD FLASH  
 4 = 10u" GOLD



RoHS COMPLIANT

UNITS = INCHES [MM]

DO NOT SCALE FROM DRAWING



THESE DRAWINGS AND SPECIFICATIONS ARE THE PROPERTY OF NorComp AND SHALL NOT BE REPRODUCED, COPIED OR USED AS THE BASIS FOR THE MANUFACTURE OR SALE OF APPARATUS WITHOUT WRITTEN PERMISSION.

DRAWN:

M. SIGMON

DATE:

03-07-16

NorComp

SCALE: NTS

SHEET 1 OF 1

REV 3

DWG NO.

859-R03-103R00Y