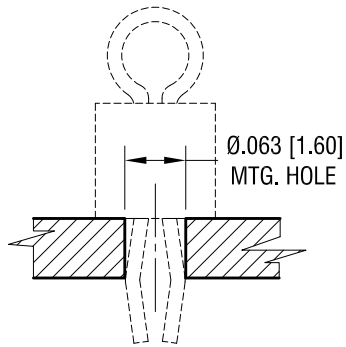
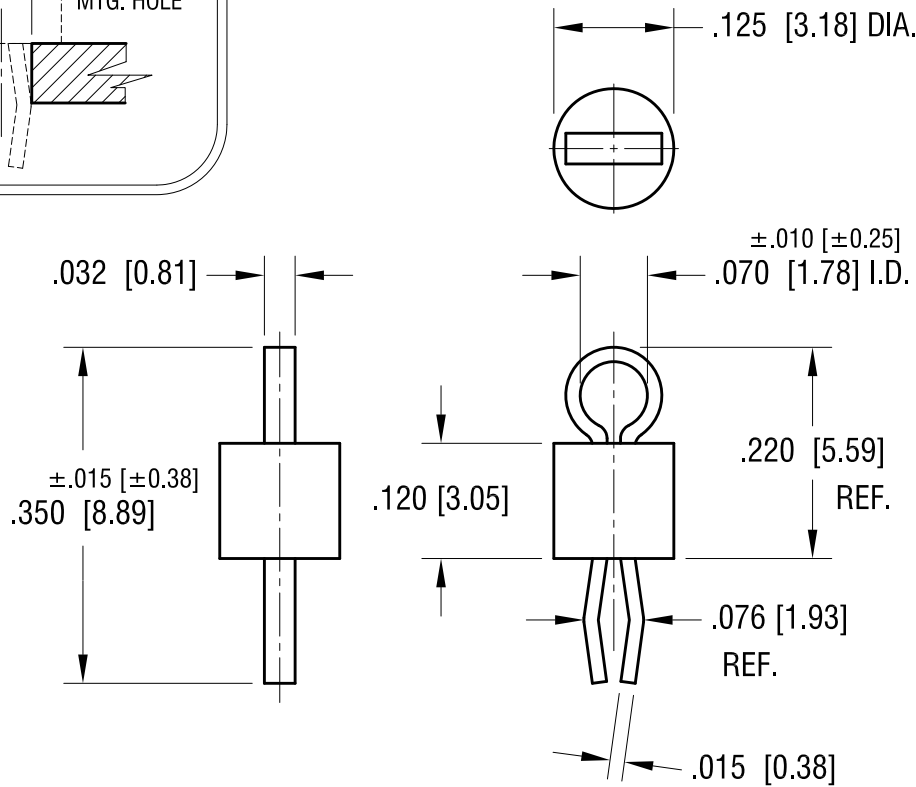


THIS DOCUMENT IS THE PROPERTY OF
KEYSTONE ELECTRONICS CORP. AND
SHALL NOT BE REPRODUCED, DISTRIBUTED
OR USED AS A BASIS FOR MANUFACTURE
WITHOUT PRIOR WRITTEN PERMISSION
FROM KEYSTONE ELECTRONICS CORP.

MTG. DETAIL



ACTUAL SIZE



NOTES:

1. TERMINAL:
MAT'L - PHOSPHOR BRONZE WIRE
2. BASE:
MAT'S - HEAT RESISTANT NYLON 46
3. MTG HOLE: .063 [1.60]

| PART NO. | BASE COLOR |
|----------|------------|
| 5005 | RED |
| 5006 | BLACK |
| 5007 | WHITE |
| 5008 | ORANGE |
| 5009 | YELLOW |

| DATE | DESCRIPTION | REV. |
|----------|--------------------------|------|
| 12.30.13 | CHANGE AS PER ECN 13-120 | F |
| 12.04.08 | CHANGE AS PER ECN 08-190 | E |

| | | | |
|--|-----------------|--------|------------------|
| KEYSTONE ELECTRONICS CORP. | | | |
| www.keyelco.com • NEW HYDE PARK NY 11040 • Tel (516)328-7500 | | | |
| PART NAME | | | |
| PC TEST POINT - COMPACT | | | |
| MATERIAL | | | |
| AS NOTED | | | |
| FINISH | | DRN BY | DATE |
| SILVER PLATE | | NT | 12.09.08 |
| | | APP'D | SCALE |
| | | RH | 5X |
| TOLERANCES | INCH [MM] | CODE | DWG NO. |
| DECIMAL | ± .005 [± 0.13] | C | 5005-5009 |
| ANGULAR | ± 1° | | |
| UNLESS OTHERWISE SPECIFIED | | | |