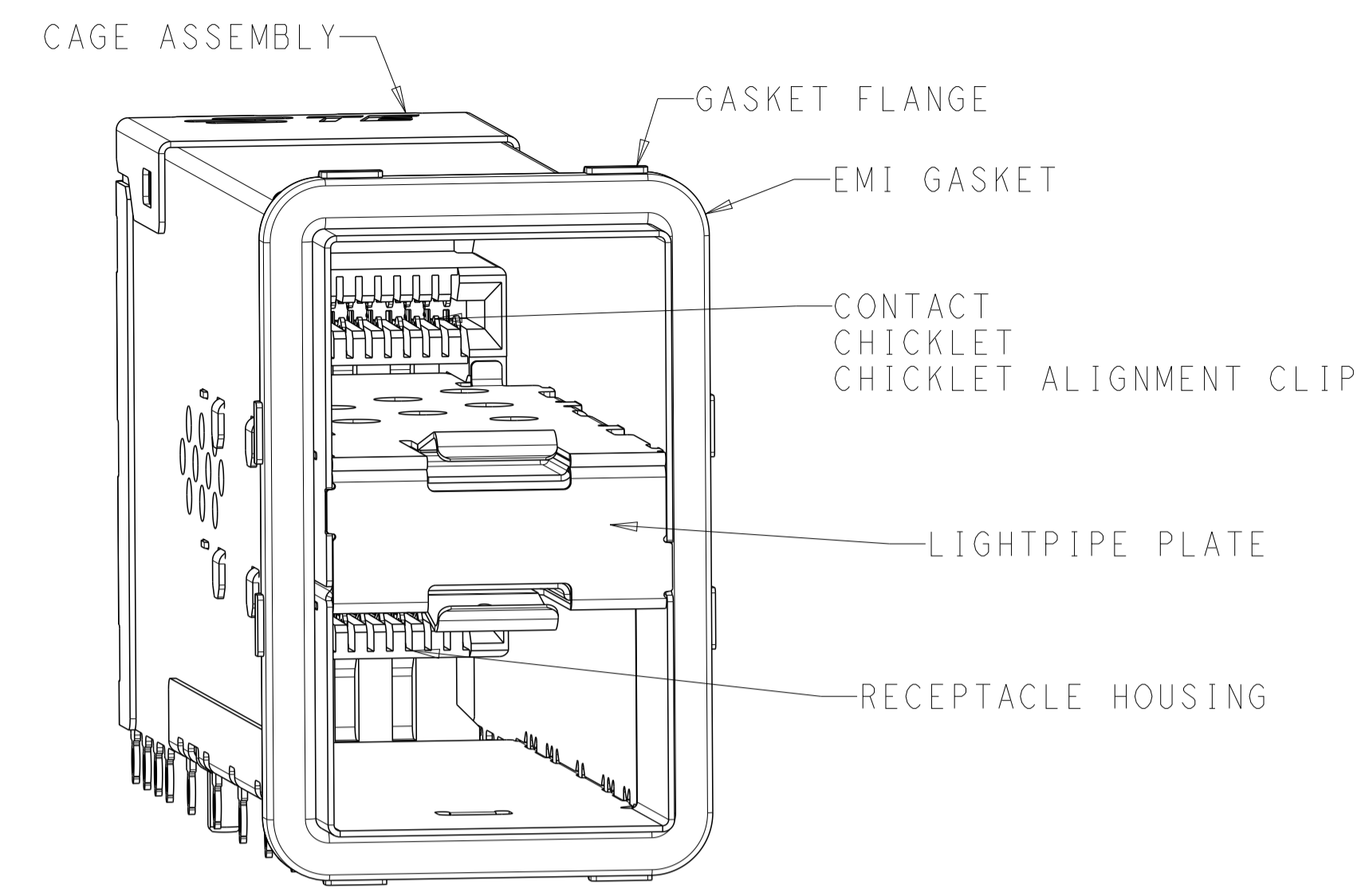
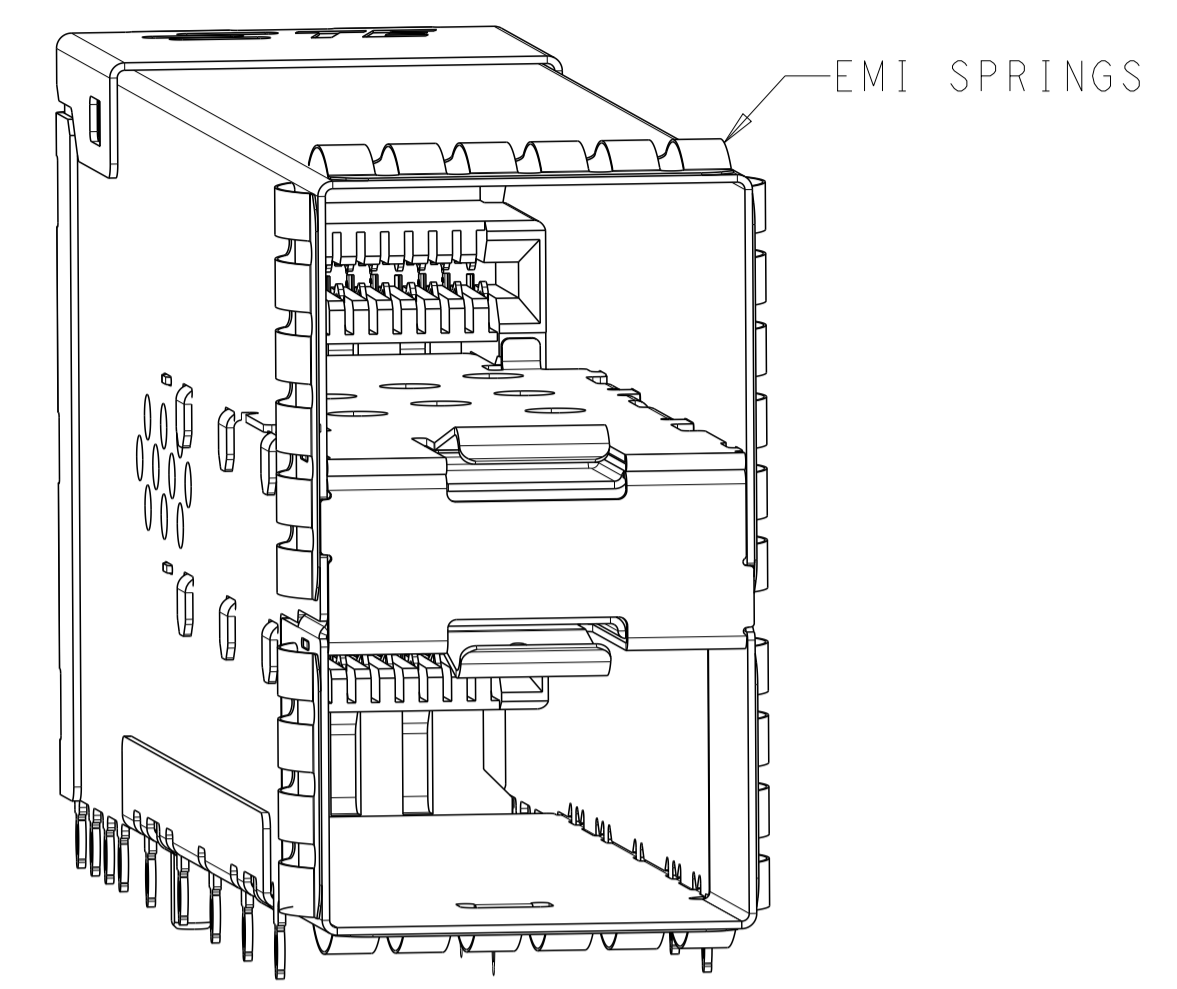


LOC	DIST	REVISIONS			
P	LTN	DESCRIPTION	DATE	DWN	APVD
A		INITIAL RELEASE	26FEB2019	JW	SH
A1		ADD DASH NUMBER 2-1	15AUG2022	RZ	SZ



2349202-1  
SCALE 4:1

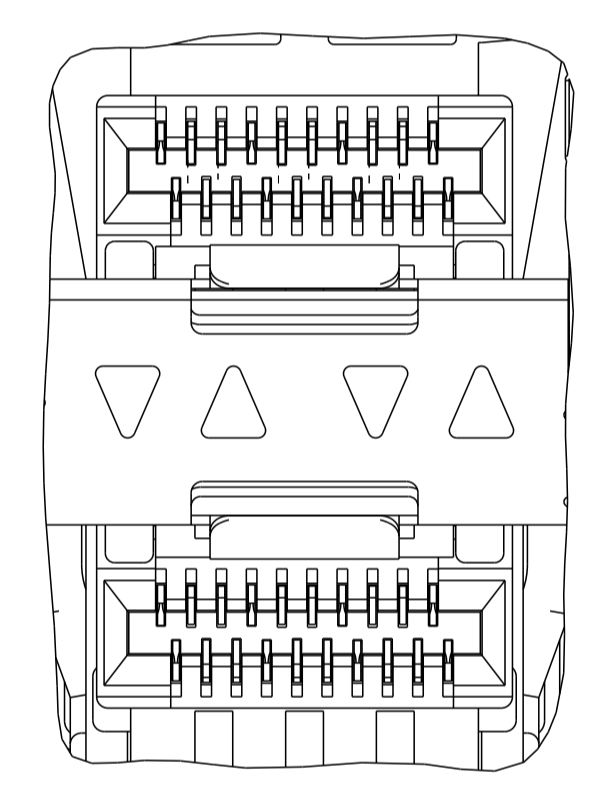


2349202-5  
SCALE 4:1

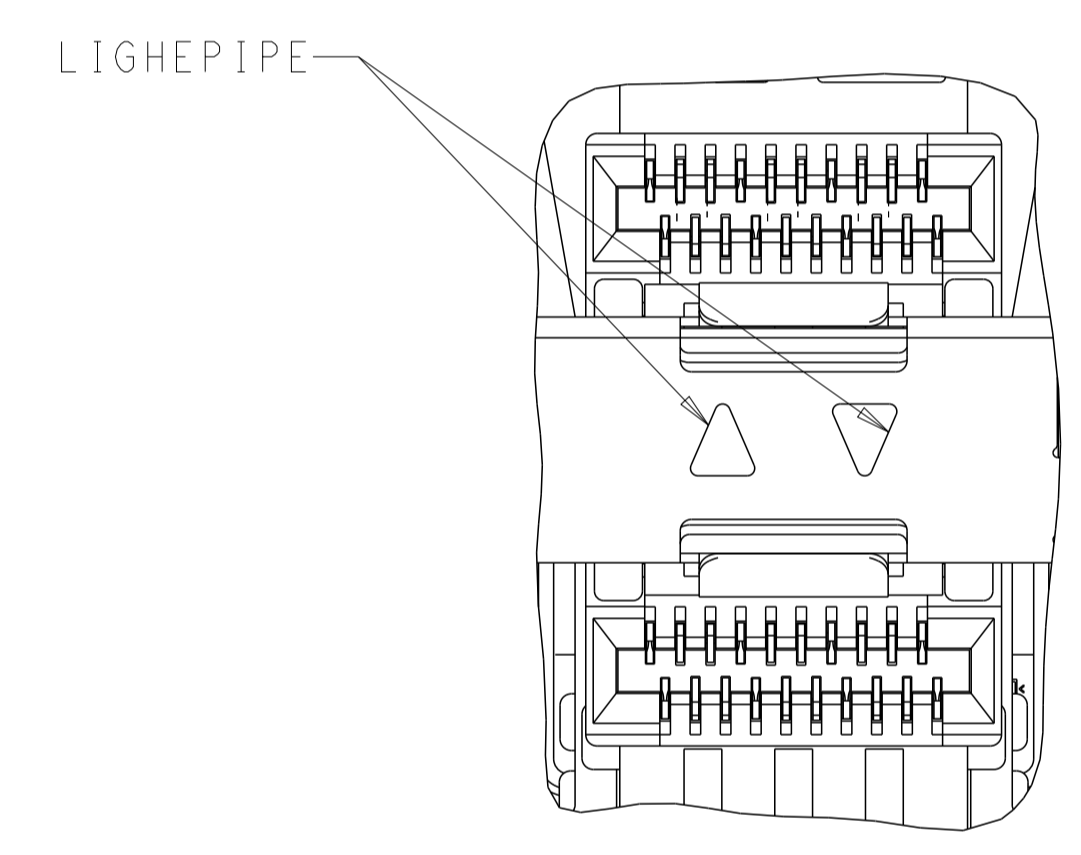
- MATERIALS:  
 CAGE ASSEMBLY - NICKEL-SILVER ALLOY PER ASTM B 122  
 CONNECTOR HOUSING - LCP, BLACK, UL 94V-0 RATED  
 CHICKLET - LCP, BLACK, UL 94V-0 RATED  
 CHICKLET ALIGNMENT CLIP - LCP, BLACK, UL 94V-0 RATED  
 CONTACT - COPPER ALLOY  
 EMI GASKET - ELASTOMERIC  
 GASKET FLANGE - STAINLESS STEEL  
 EMI SPRINGS - PHOSPHOR BRONZE PER ASTM B 103,  
 0.8µm MIN TIN PER ASTM B 545  
 LIGHT PIPE - POLYCARBONATE  
 LIGHT PIPE PLATE - STAINLESS STEEL

- CONTACT FINISH:  
 CONFORMS TO THE REQUIREMENTS OF PRODUCT SPECIFICATION 108-2481, BASED ON EIA/ECA-364-1000.01A, (CONTROLLED ENVIRONMENT APPLICATIONS) ON MATING INTERFACE, TIN ON NEEDLE EYE
- PCB MINIMUM THICKNESS = 1.5mm

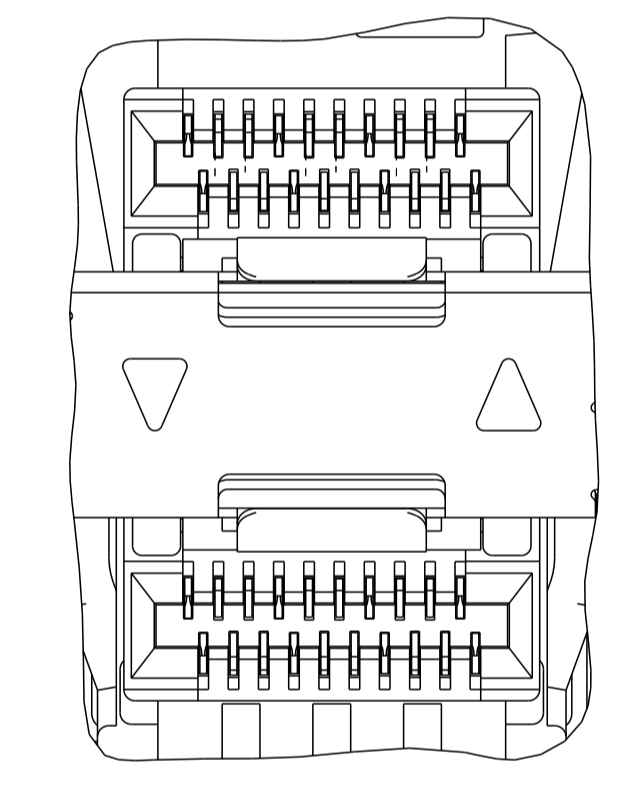
- △4 FOR HOLE SIZE AND PLATINGS, SEE APPLICATION SPECIFICATION 114-13319
- △5 LIGHT PIPE PAD LAYOUT IS FOR 0805 LOW PROFILE LED PACKAGE WITH A HEIGHT OF 0.8mm
- △6 DIMENSIONS APPLY FOR EMI SPRINGS ONLY
- △7 THE ENTIRE AREA OF THE CONNECTOR FOOTPRINT, INDICATED BY THE DASHED LINE, TO BE CONSIDERED THE KEEPOUT AREA FOR COMPONENTS AND SIGNAL TRACES, TOP SIDE ONLY, TOP SIDE TRACES ALLOWED WITHIN CONNECTOR HOLE PATTERN



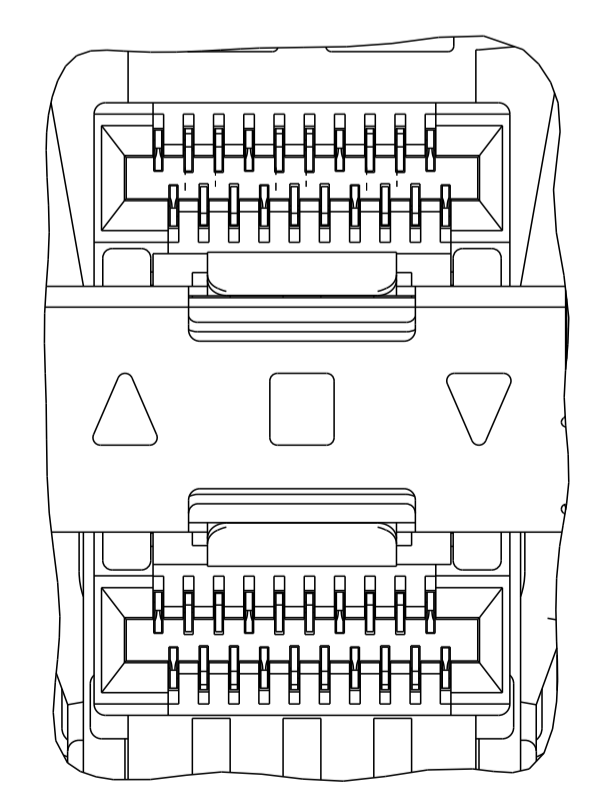
INNER/OUTER LIGHT PIPES  
2349202-2, 2349202-6  
SCALE 5:1



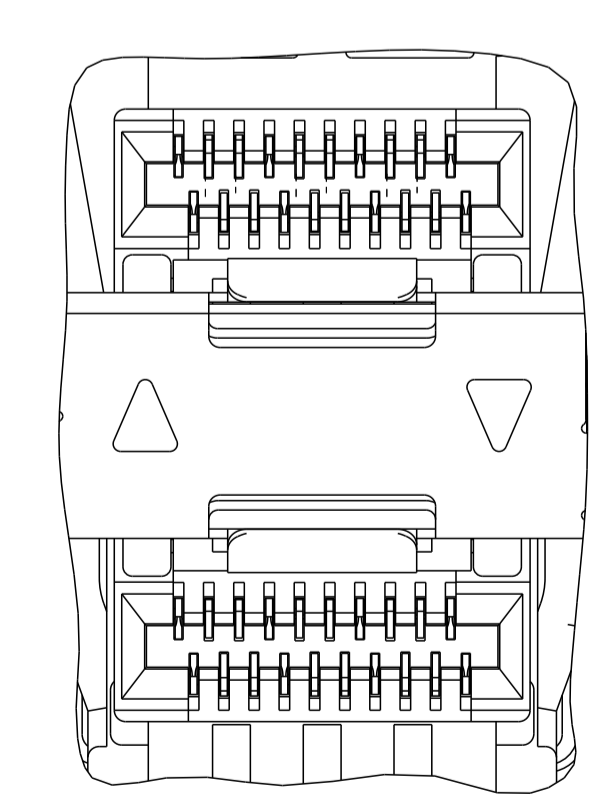
INNER LIGHT PIPES  
2349202-3, 2349202-7  
SCALE 5:1



OUTER LIGHT PIPES  
2349202-4, 2349202-8  
SCALE 5:1



CENTER/REVERSED OUTER LIGHT PIPES  
1-2349202-7, 1-2349202-9  
SCALE 5:1



REVERSED OUTER LIGHT PIPES  
1-2349202-8, 2-2349202-0  
SCALE 5:1

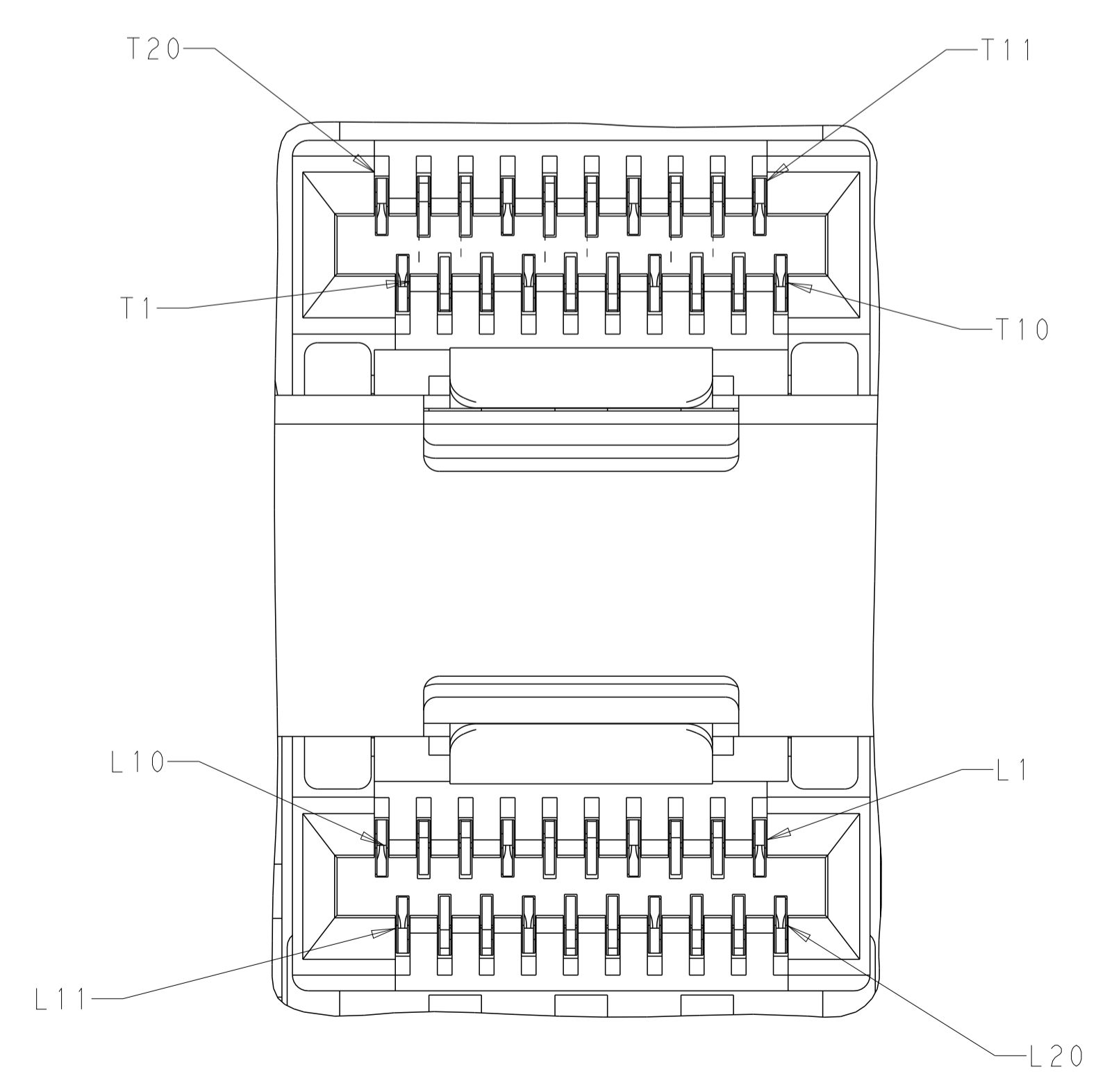
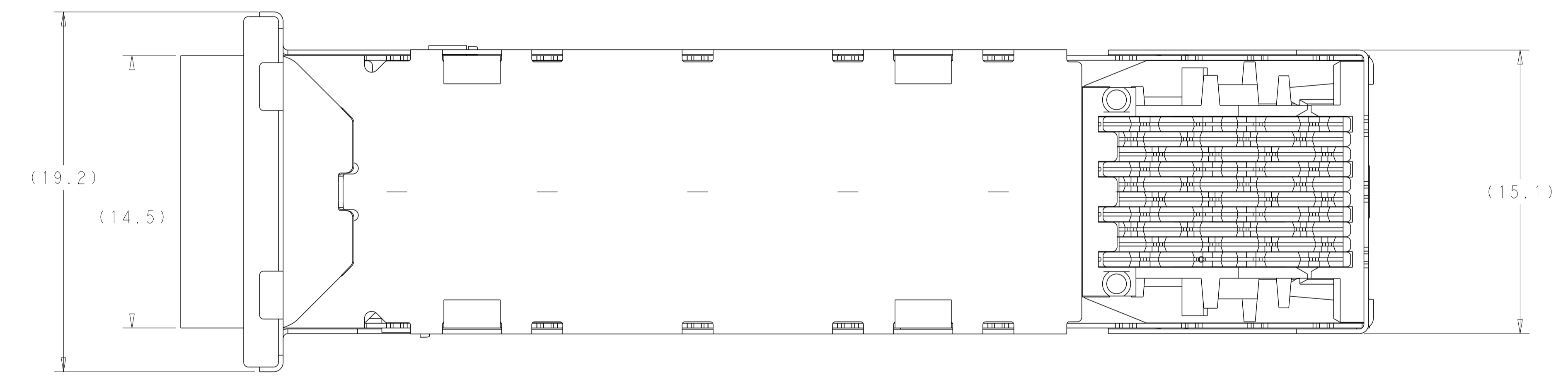
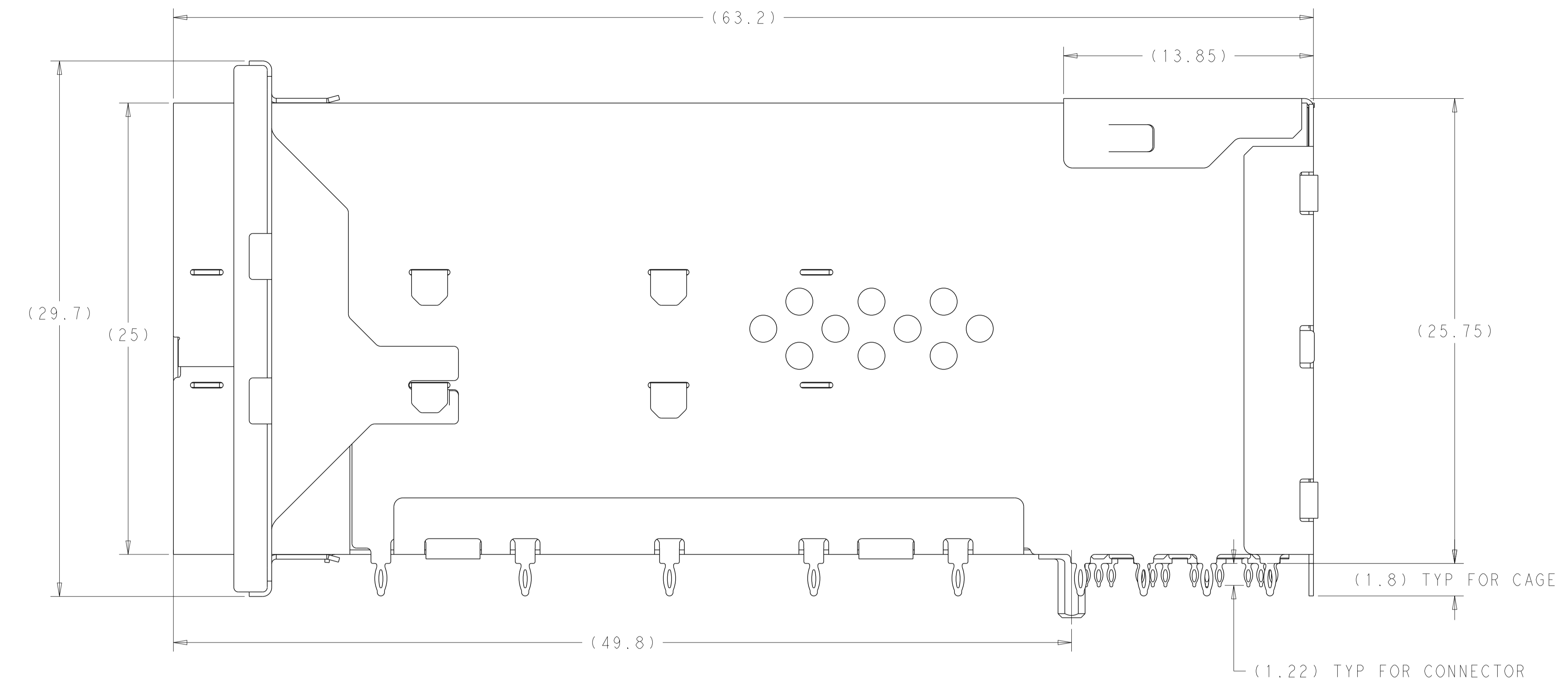
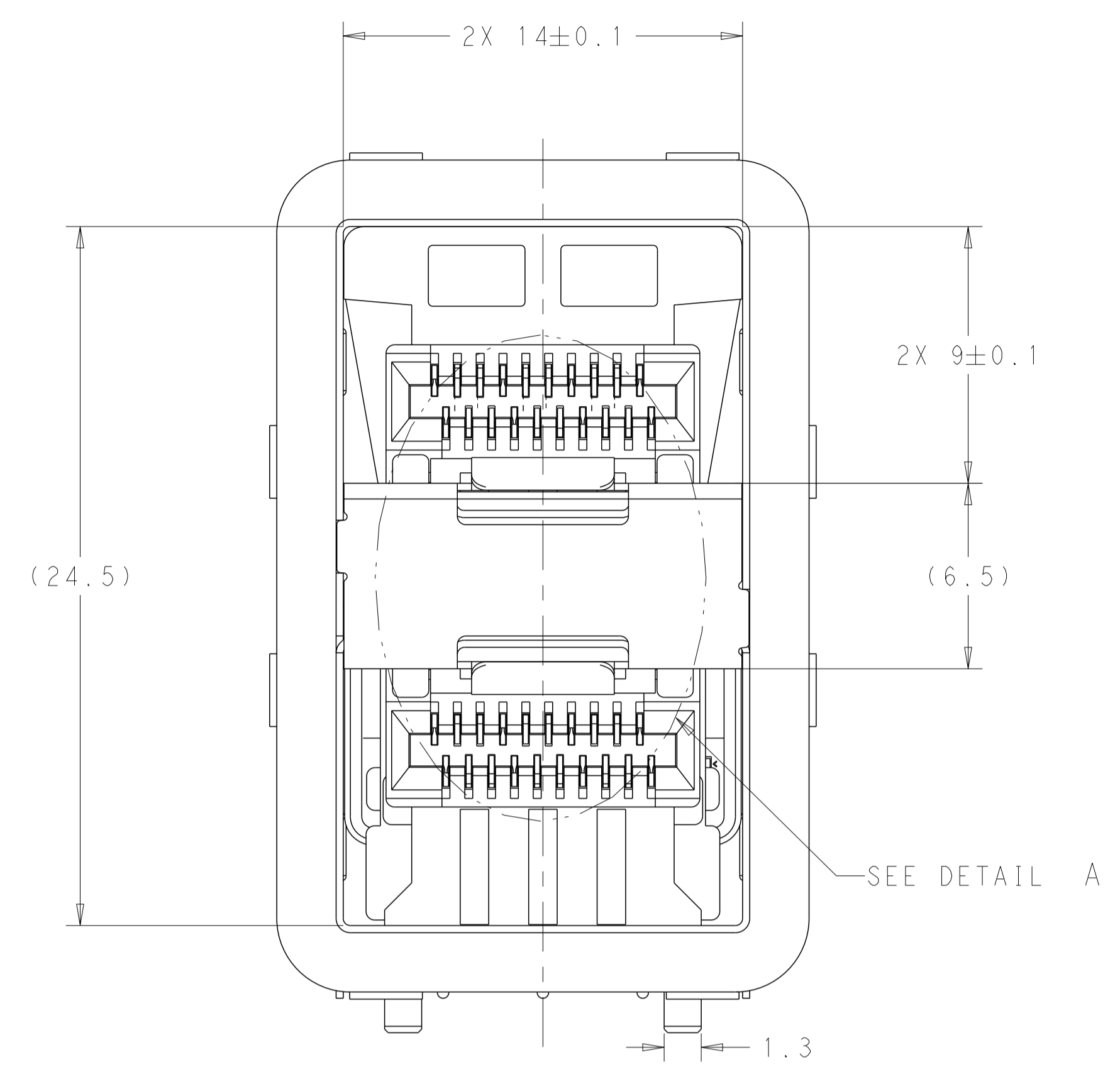
16.75	EMI SPRINGS	REVERSED OUTER	2-2349202-1
16.75	EMI SPRINGS	REVERSED OUTER	2-2349202-0
		CENTER/REVERSED OUTER	1-2349202-9
19.5	EMI GASKET	REVERSED OUTER	1-2349202-8
		CENTER/REVERSED OUTER	1-2349202-7
16.75	EMI SPRINGS	OUTER	2349202-8
		INNER	2349202-7
		INNER/OUTER	2349202-6
		NONE	2349202-5
19.5	EMI GASKET	OUTER	2349202-4
		INNER	2349202-3
		INNER/OUTER	2349202-2
		NONE	2349202-1
(E)	CAGE TYPE	LIGHT PIPE CONFIGURATION	PART NUMBER

THIS DRAWING IS A CONTROLLED DOCUMENT.

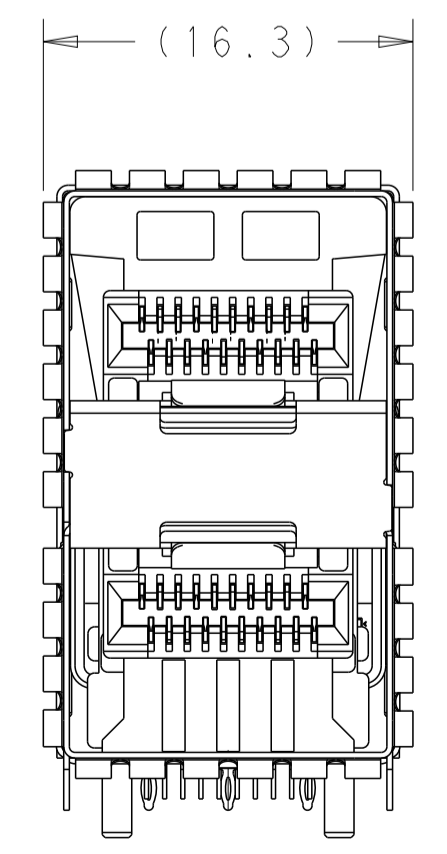
DIMENSIONS:	TOLERANCES UNLESS OTHERWISE SPECIFIED:	DWN	J. WANG	26FEB2019
mm	0 PLC ±0.25 1 PLC ±0.25 2 PLC ±0.25 3 PLC ±0.25 4 PLC ±0.25 ANGLES ±°	CHK	S. HAN	26FEB2019
		APVD	S. HAN	26FEB2019
MATERIAL:	SEE NOTES	NAME	RECEPTACLE ASSEMBLY, 2X1, STACKED, SFP56	
FINISH:	SEE NOTES	PRODUCT SPEC	108-2481	
		APPLICATION SPEC	114-13319	
		SIZE	CAGE CODE	DRAWING NO
		RESTRICTED TO	A1 00779C=2349202	
		WEIGHT	-	
		CUSTOMER DRAWING	SCALE	4:1
		SHEET	1	OF 5
		REV	A1	

4805 (3/11)

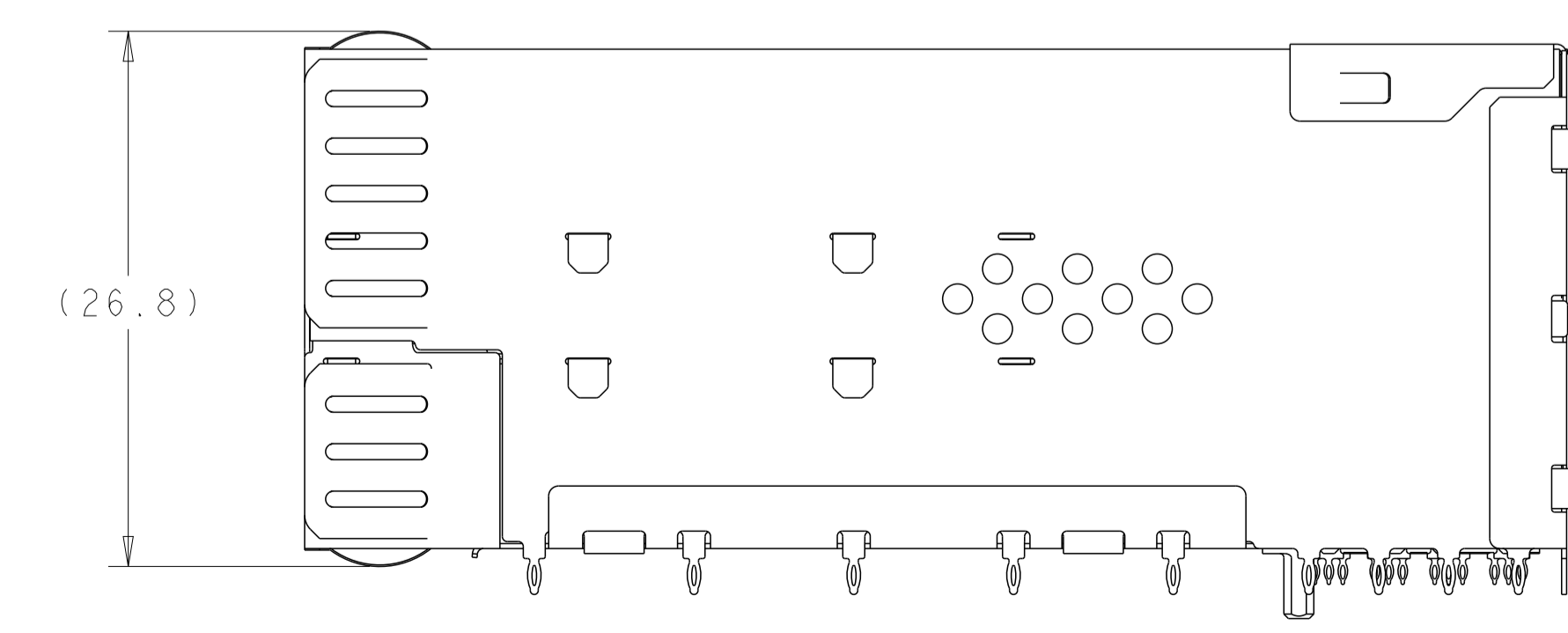
LOC	DIST	REVISIONS			
P	LTN	DESCRIPTION	DATE	DMN	APVD
-	-	SEE SHEET 1	-	-	-



DETAIL A  
 2 PLACES  
 SCALE 10:1



2349202-5 THRU 2349202-8, 1-2349202-9, 2-2349202-0  
 EMI SPRINGS ONLY  
 SCALE 3:1



THIS DRAWING IS A CONTROLLED DOCUMENT.		DMN: J. WANG 26FEB2019	TE Connectivity
DIMENSIONS: mm		CHK: S. HAN 26FEB2019	
TOLERANCES UNLESS OTHERWISE SPECIFIED:		APVD: S. HAN 26FEB2019	NAME: RECEPTACLE ASSEMBLY, 2X1, STACKED, SFP56
0 PLC	±0.25	PRODUCT SPEC	108-2481
1 PLC	±0.25	APPLICATION SPEC	114-13319
2 PLC	±0.25	FINISH	±5°
3 PLC	±0.25	WEIGHT	-
4 PLC	±0.25	SCALE	6:1
ANGLES	±°	SHEET	2 OF 5
MATERIAL: SEE NOTES	FINISH: SEE NOTES	RESTRICTED TO	REV: A1
CUSTOMER DRAWING		SIZE: A1	SCALE: 6:1 SHEET 2 OF 5 REV: A1

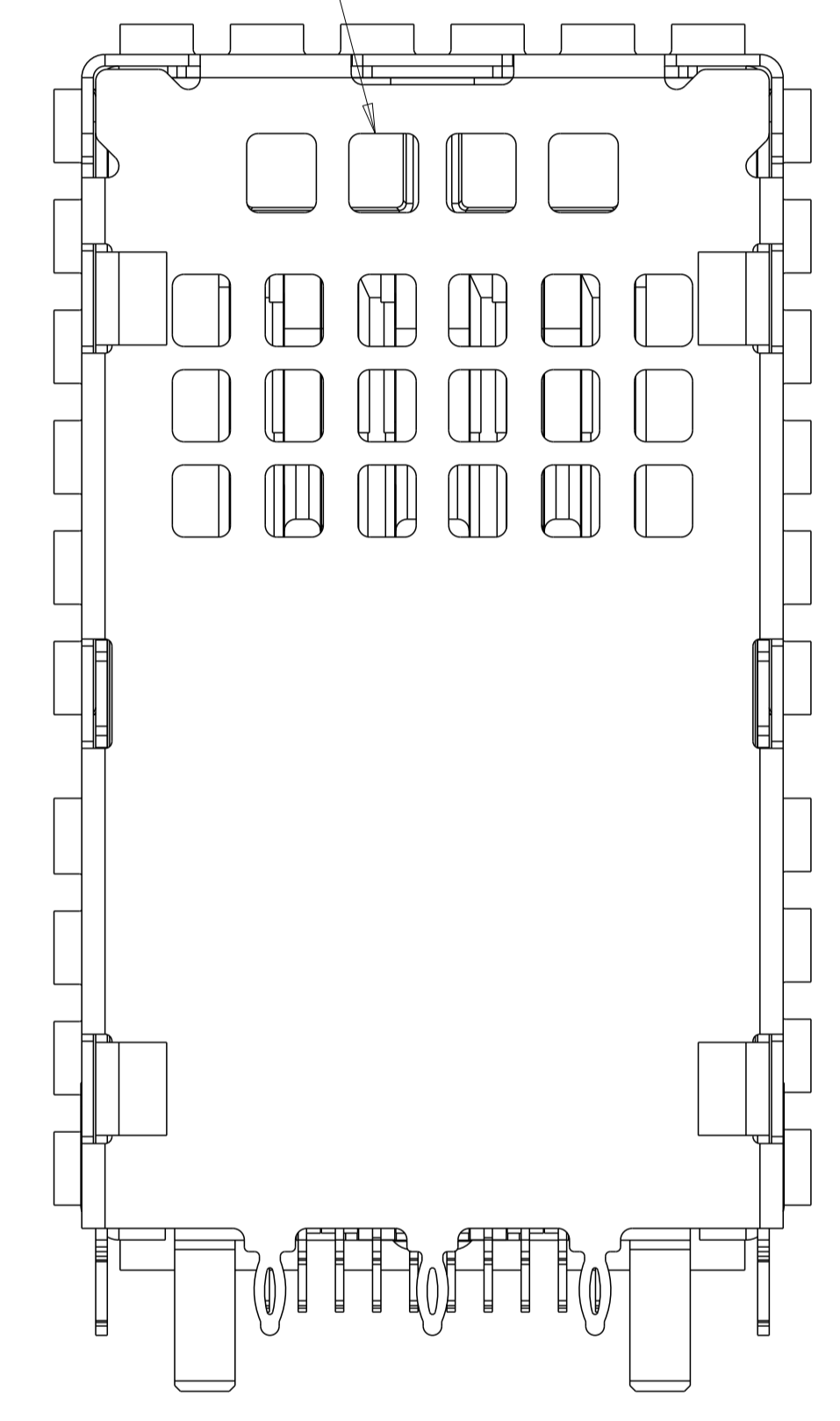
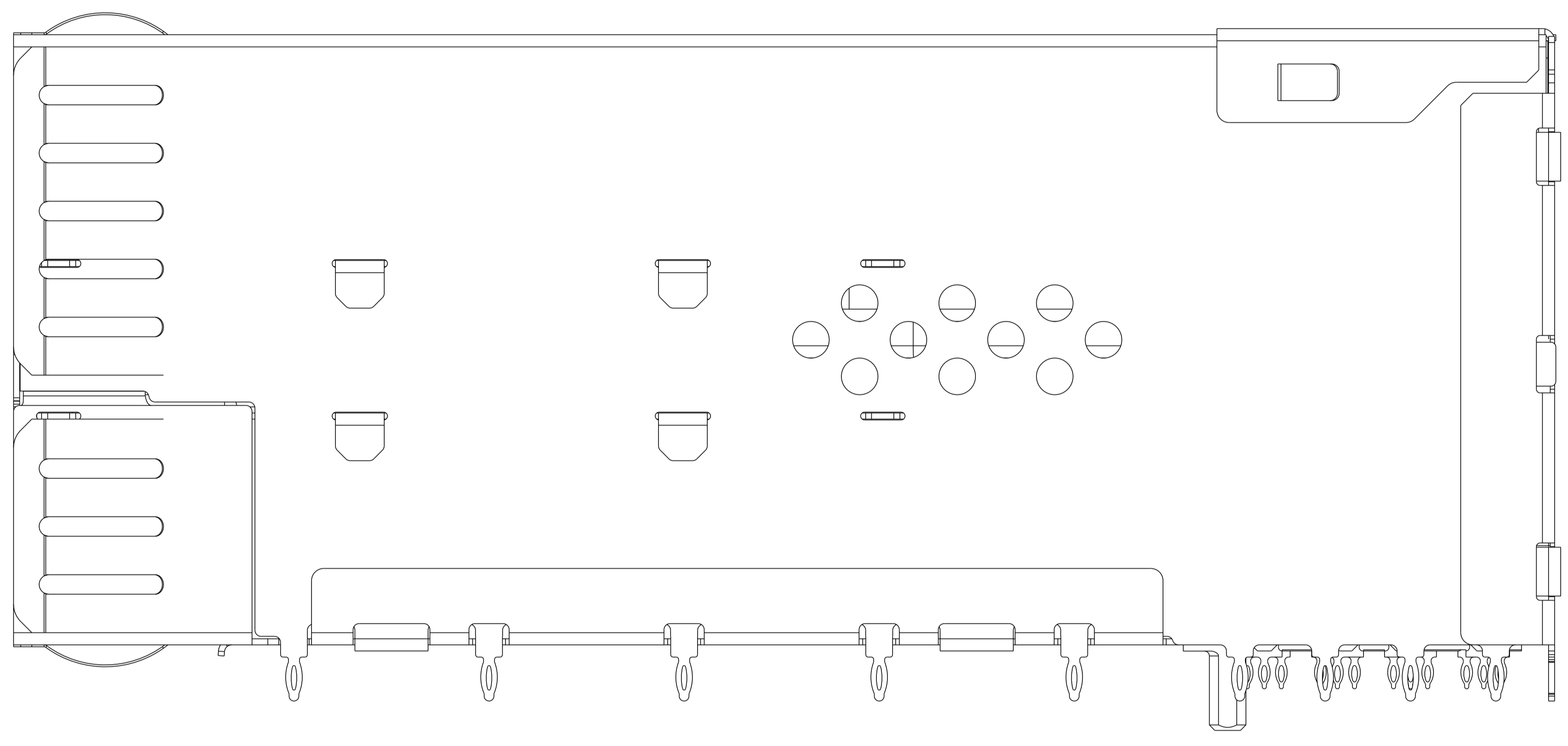
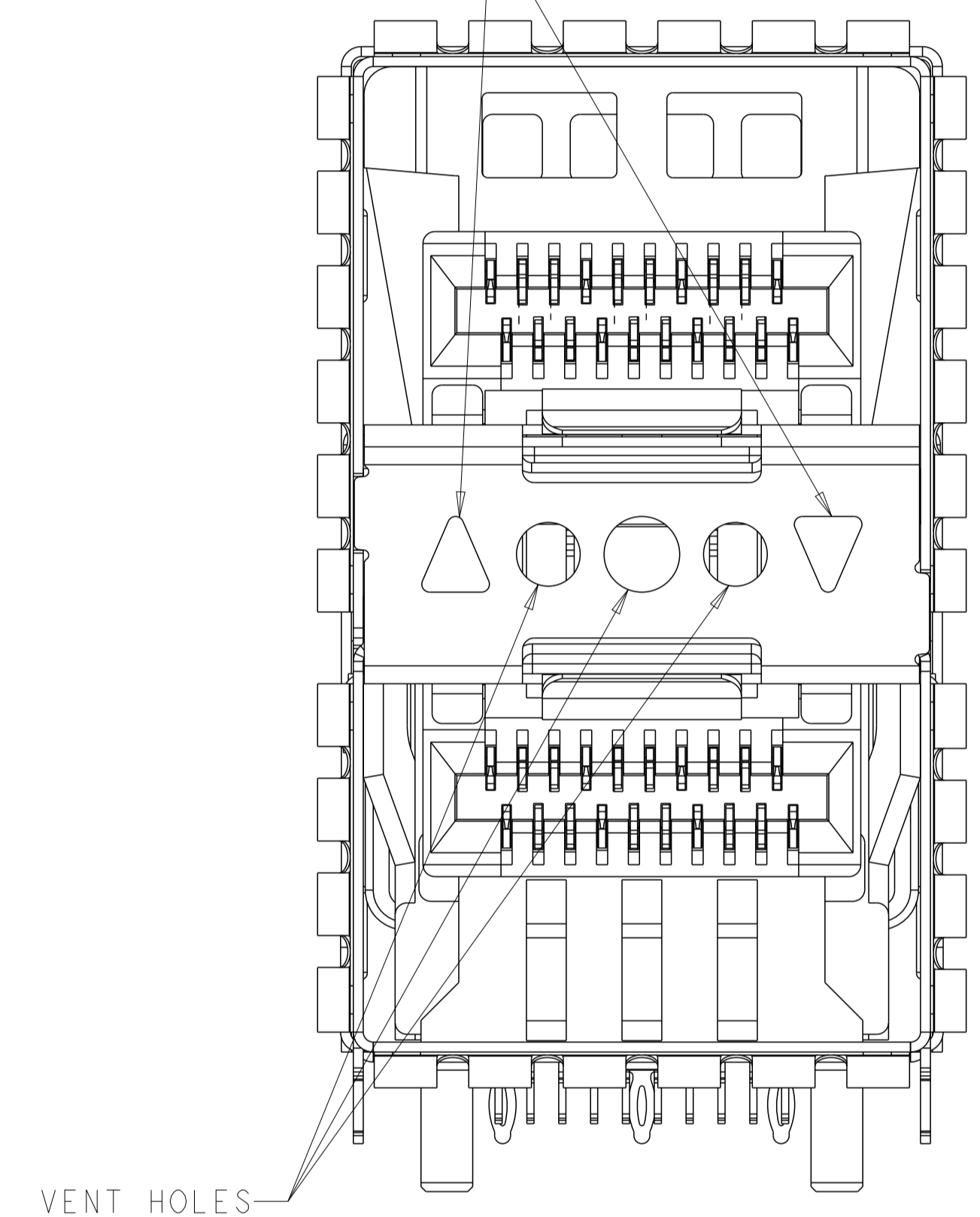
THIS DRAWING IS UNPUBLISHED. RELEASED FOR PUBLICATION 20  
 © COPYRIGHT 20 BY - ALL RIGHTS RESERVED.

LOC	DIST	REVISIONS			
P	LTN	DESCRIPTION	DATE	DMN	APVD
-	-	SEE SHEET 1	-	-	-

2-2349202-1 AIR FLOW ENHANCED VERSION,  
 UNMARKED DIMENSION SAME AS 2-2343522-0

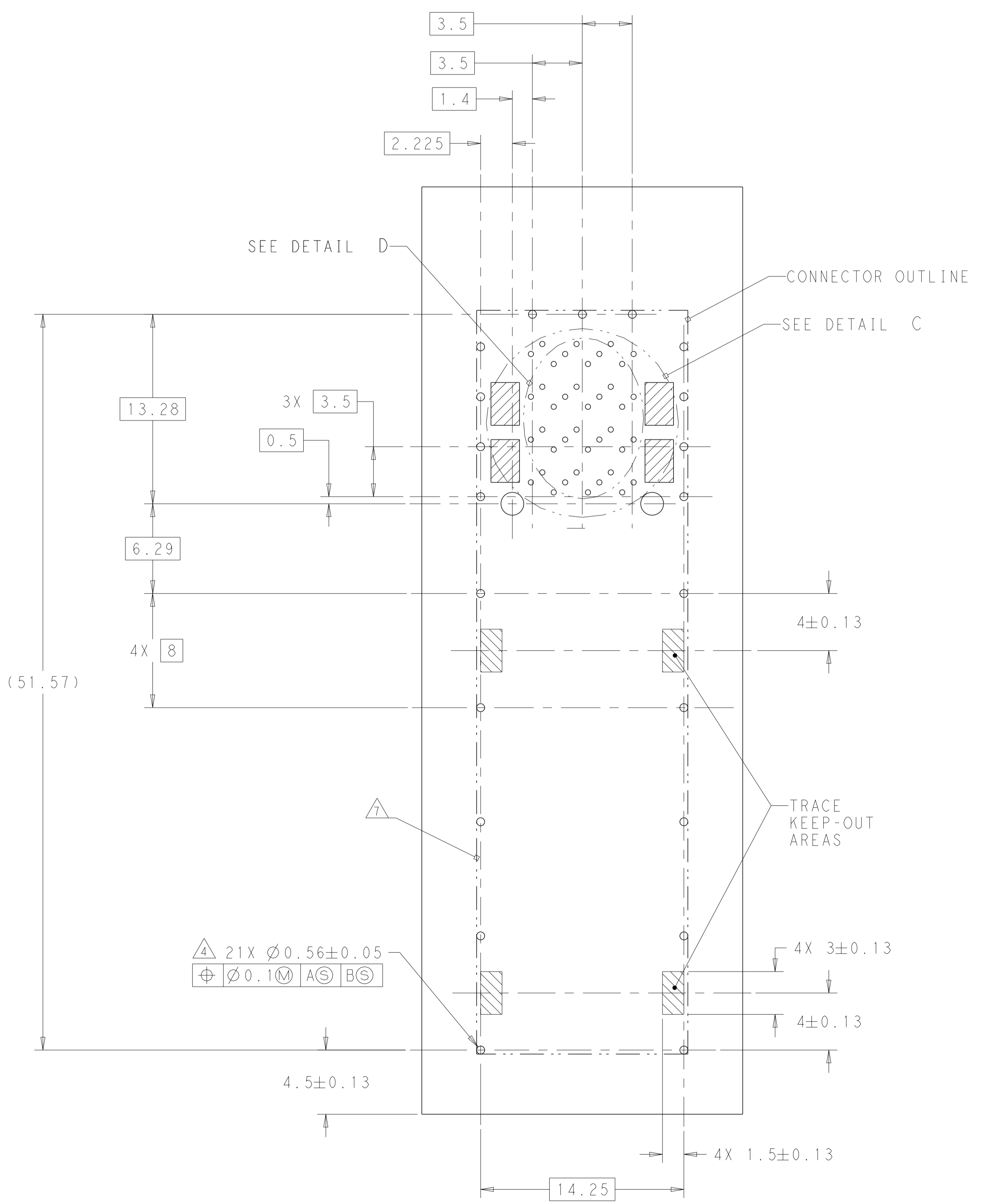
REVERSED OUTER LIGHT PIPE

VENT HOLES PATTERN

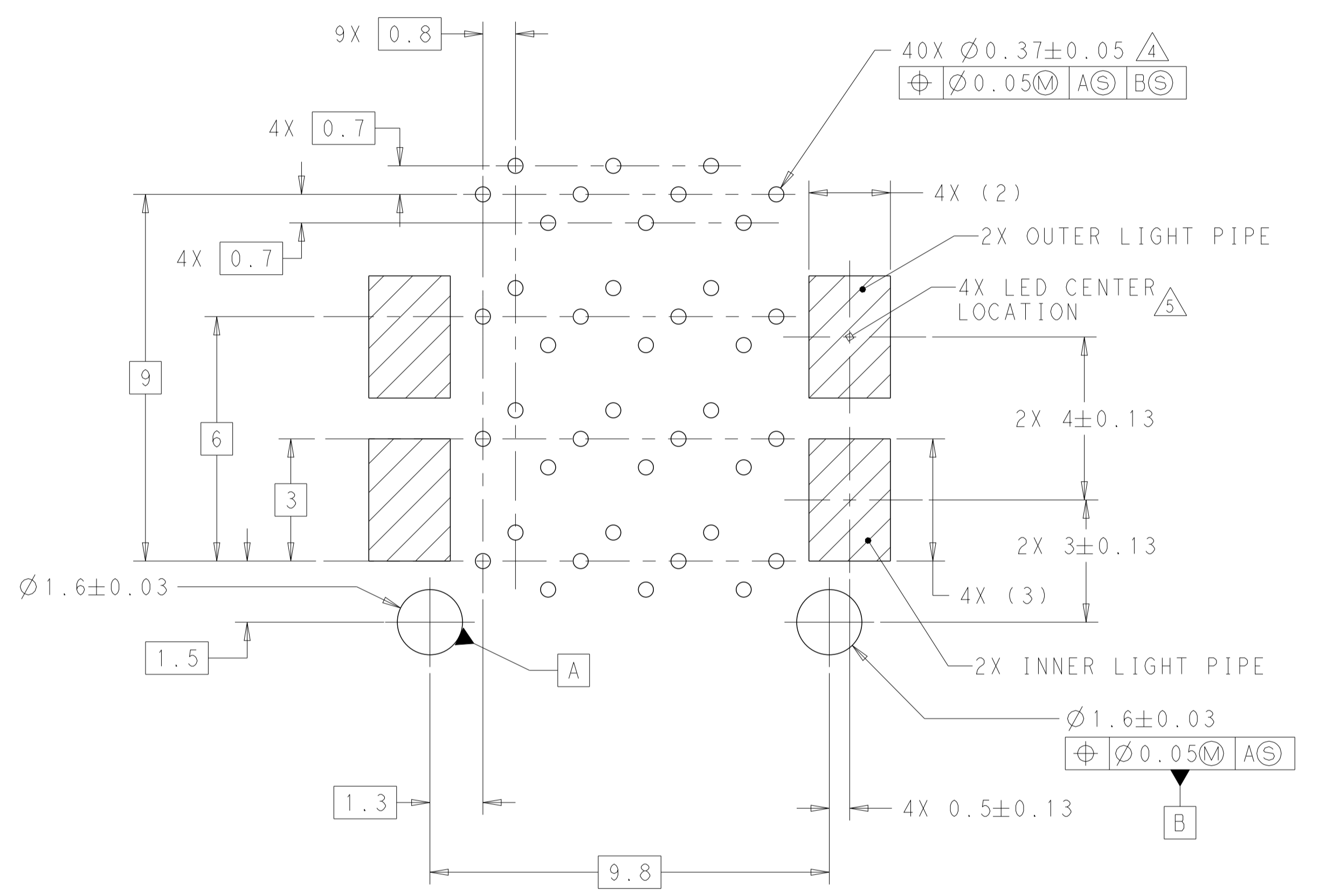


THIS DRAWING IS A CONTROLLED DOCUMENT.		DMN J. WANG 26FEB2019	 TE Connectivity
DIMENSIONS: mm		CHK S. HAN 26FEB2019	
TOLERANCES UNLESS OTHERWISE SPECIFIED: 0 PLC ±0.25 1 PLC ±0.25 2 PLC ±0.25 3 PLC ±0.25 4 PLC ±0.25 ANGLES ±° FINISH ±5°		APVD S. HAN 26FEB2019	NAME RECEPTACLE ASSEMBLY, 2X1, STACKED, SFP56
MATERIAL SEE NOTES		PRODUCT SPEC 108-2481	RESTRICTED TO
FINISH SEE NOTES		APPLICATION SPEC 114-13319	SIZE A1
CUSTOMER DRAWING		WEIGHT -	SCALE 7:1
		CAGE CODE A100779	DRAWING NO C=2349202
		SHEET 3	OF 5
		REV A1	

LOC	DIST	REVISIONS			
P	LTN	DESCRIPTION	DATE	DMN	APVD
-	-	SEE SHEET 1	-	-	-



RECOMMENDED PCB LAYOUT  
 SCALE 5:1



DETAIL C  
 RECOMMENDED PIN AND LIGHT PIPE LAYOUT  
 SCALE 10:1

THIS DRAWING IS A CONTROLLED DOCUMENT.		DMN: J. WANG 26FEB2019	TE Connectivity
DIMENSIONS: mm		CHK: S. HAN 26FEB2019	
TOLERANCES UNLESS OTHERWISE SPECIFIED:		APVD: S. HAN 26FEB2019	NAME: RECEPTACLE ASSEMBLY, 2X1, STACKED, SFP56
0 PLC	±0.25	PRODUCT SPEC	108-2481
1 PLC	±0.25	APPLICATION SPEC	114-13319
2 PLC	±0.25	SIZE	A1
3 PLC	±0.25	CAGE CODE	00779
4 PLC	±0.25	DRAWING NO	2349202
ANGLES	±5°	RESTRICTED TO	-
FINISH	SEE NOTES	WEIGHT	-
MATERIAL	SEE NOTES	CUSTOMER DRAWING	SCALE 4:1 SHEET 4 OF 5 REV A1

LOC	DIST	REVISIONS					
GP	00	P	LTN	DESCRIPTION	DATE	DWN	APVD
		-		SEE SHEET 1	-	-	-

T19 ○ T16 ○ T13 ○  
 T20 ○ T17 ○ T14 ○ T11 ○  
 T18 ○ T15 ○ T12 ○

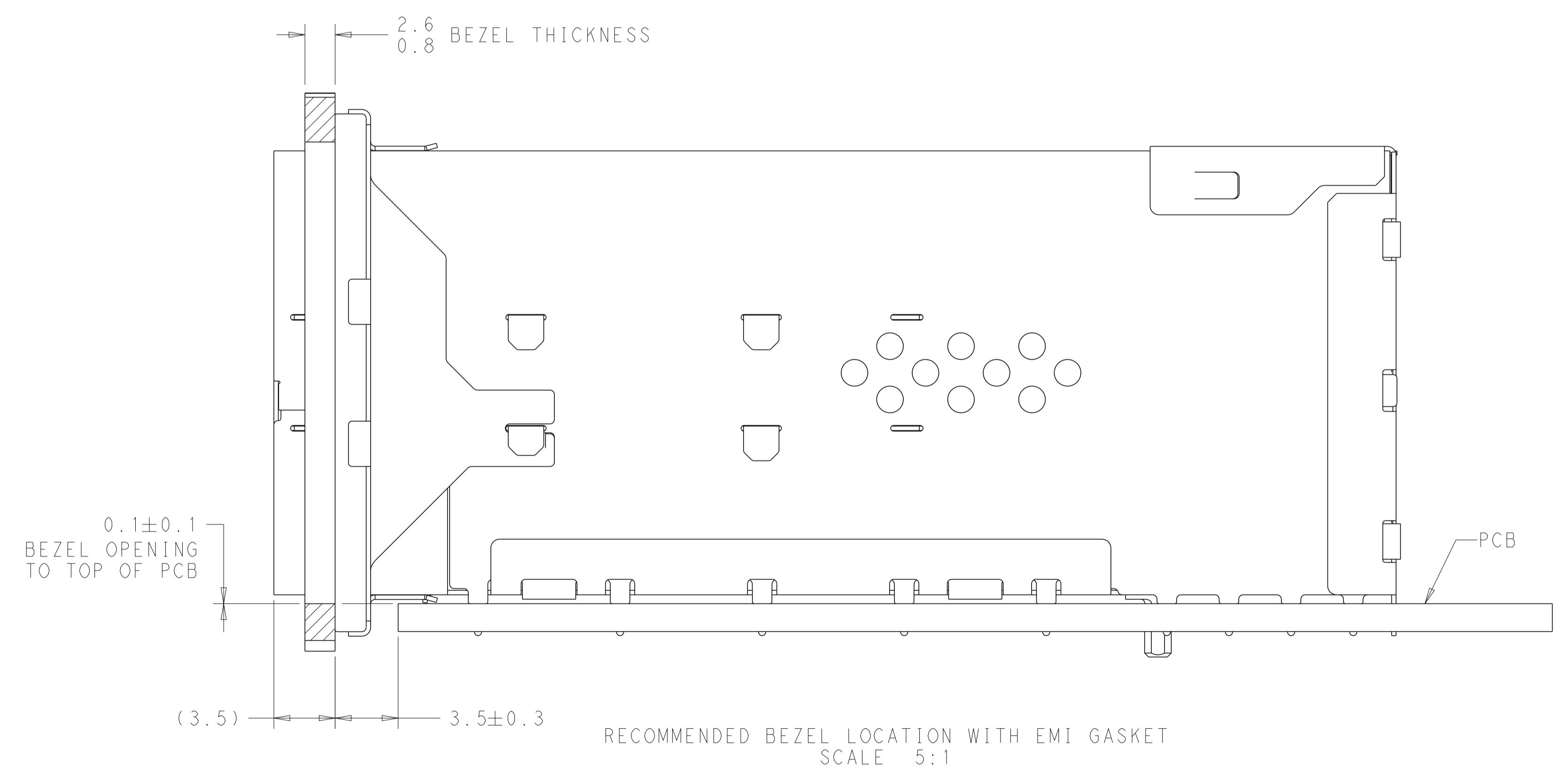
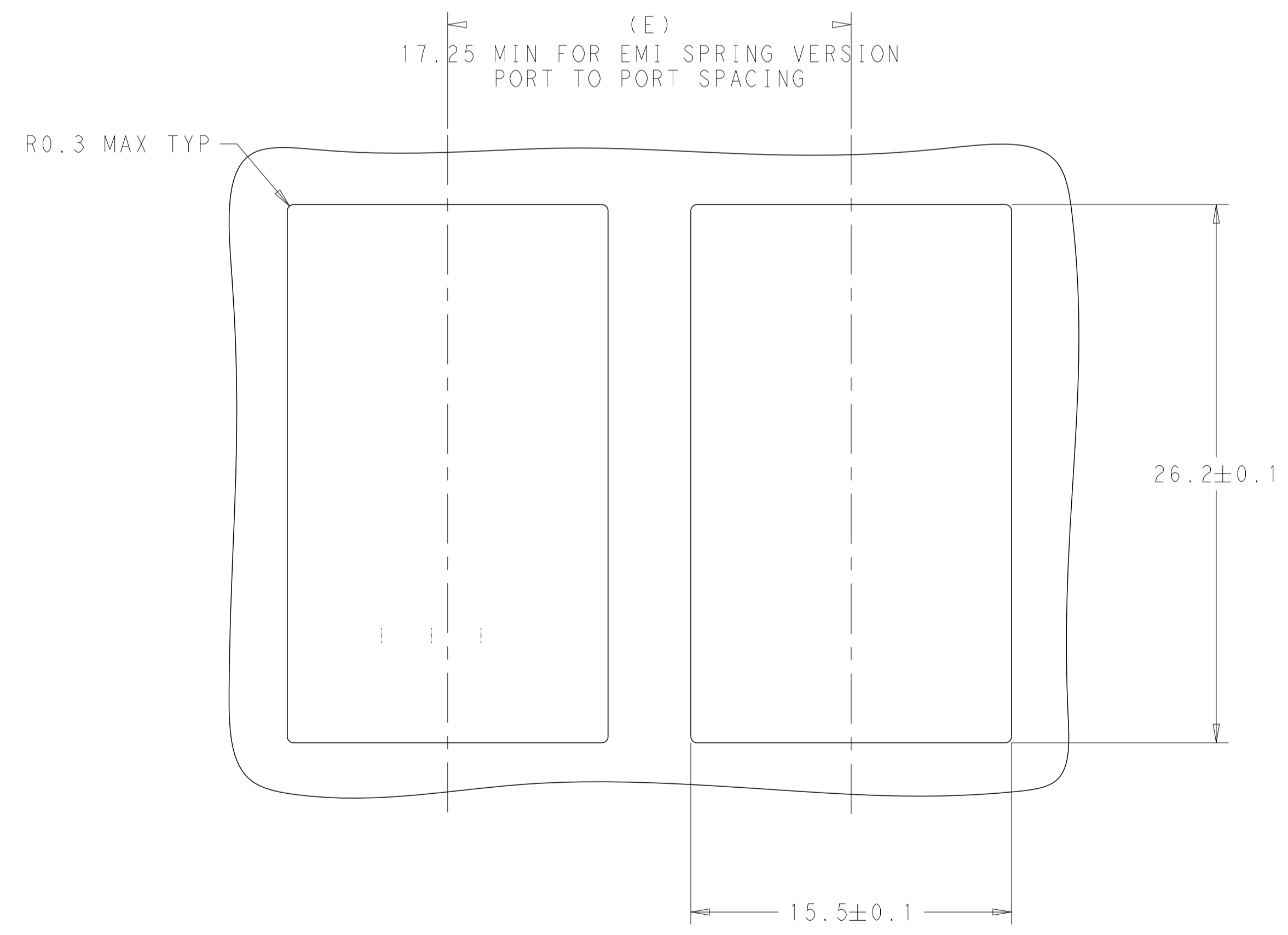
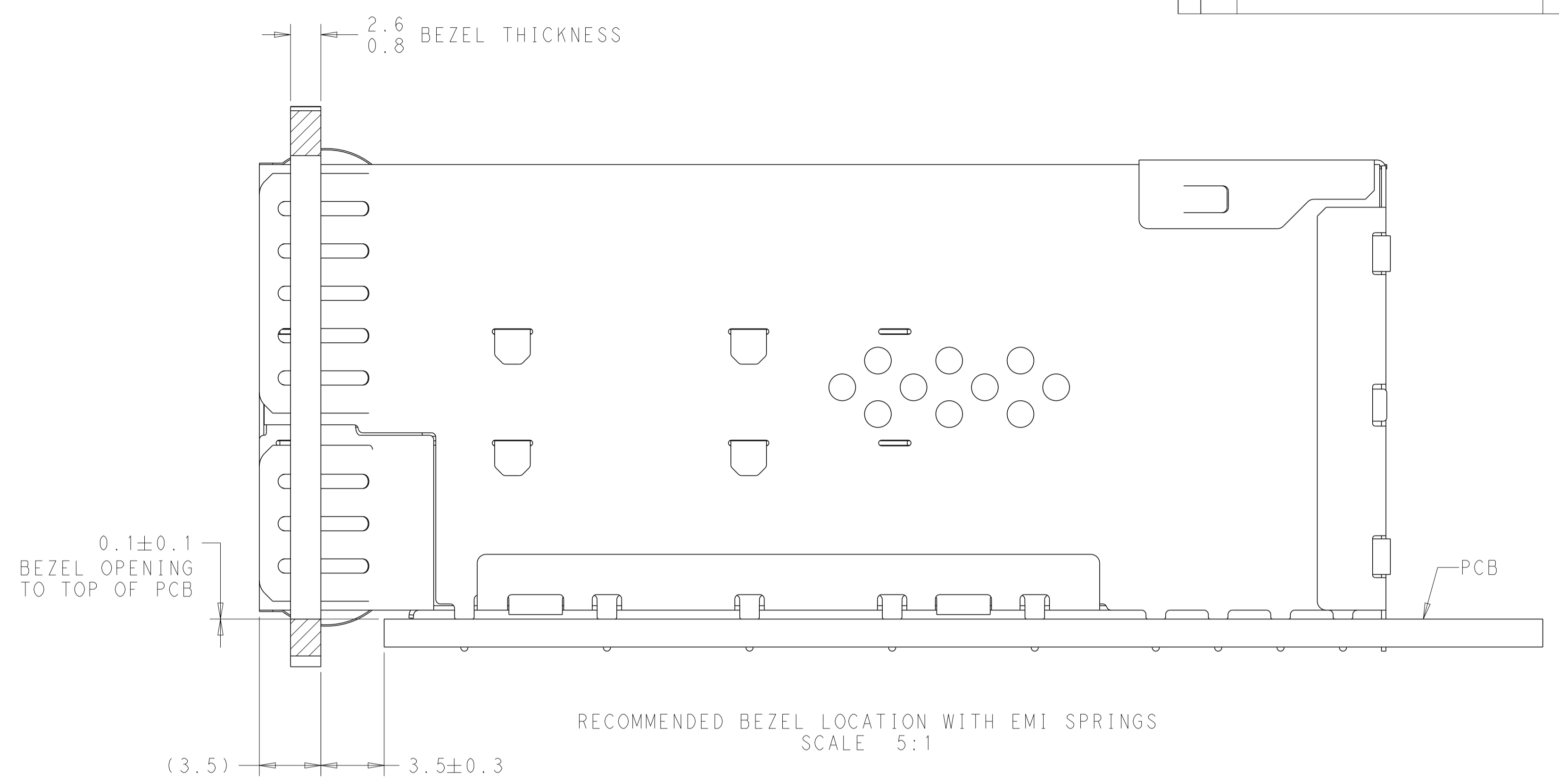
T2 ○ T5 ○ T8 ○  
 T1 ○ T4 ○ T7 ○ T10 ○  
 T3 ○ T6 ○ T9 ○

L9 ○ L6 ○ L3 ○  
 L10 ○ L7 ○ L4 ○ L1 ○  
 L8 ○ L5 ○ L2 ○

L12 ○ L15 ○ L18 ○  
 L11 ○ L14 ○ L17 ○ L20 ○  
 L13 ○ L16 ○ L19 ○

DETAIL D  
 PIN MAP  
 SCALE 15:1

PIN MAP LEGEND	
PIN NUMBER	FUNCTION
L1/T1	VEET
L2/T2	TX-FAULT
L3/T3	TX-DISABLE
L4/T4	SDA
L5/T5	SCL
L6/T6	MOD_ABS
L7/T7	RSO
L8/T8	RX_LOS
L9/T9	RS1
L10/T10	VEER
L11/T11	VEER
L12/T12	RD-
L13/T13	RD+
L14/T14	VEER
L15/T15	VCCR
L16/T16	VCCT
L17/T17	VEET
L18/T18	TD+
L19/T19	TD-
L20/T20	VEET



THIS DRAWING IS A CONTROLLED DOCUMENT.		DWN J. WANG 26FEB2019	TE Connectivity
DIMENSIONS:		CHK S. HAN 26FEB2019	
mm	TOLERANCES UNLESS OTHERWISE SPECIFIED:	APVD S. HAN 26FEB2019	NAME RECEPTACLE ASSEMBLY, 2X1, STACKED, SFP56
0 PLC	±0.25	PRODUCT SPEC	SIZE 108-2481
2 PLC	±0.25	APPLICATION SPEC	RESTRICTED TO
3 PLC	±0.25	114-13319	SCALE 4:1
4 PLC	±0.25	WEIGHT	SHEET 5 OF 5
ANGLES	±°	FINISH	REV A1
MATERIAL SEE NOTES	FINISH SEE NOTES	CUSTOMER DRAWING	A1 00779 ©=2349202 SCALE 4:1 SHEET 5 OF 5 REV A1