

CODING SYSTEM

CODE A
(2005372-2)

CODE B
(1-2005372-2, 2005372-3 / 4)

TABLE 1

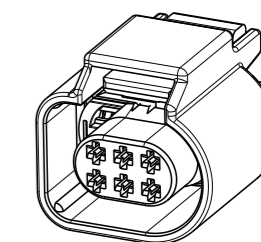
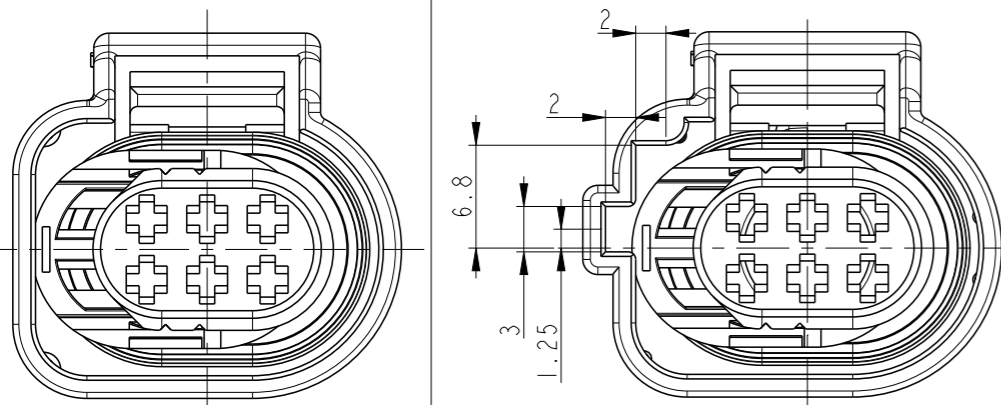
TYPE	FINISH	P/N	APPLICABLE WIRE RANGE (mm ²)
MT11	PRE-TIN	962875-1	0.2~0.5
	SELECTIVE GOLD	962875-5	
	PRE-TIN	962876-1	0.5~0.85
	SELECTIVE GOLD	962876-5	
-	-	1703414	1.25

TABLE 2

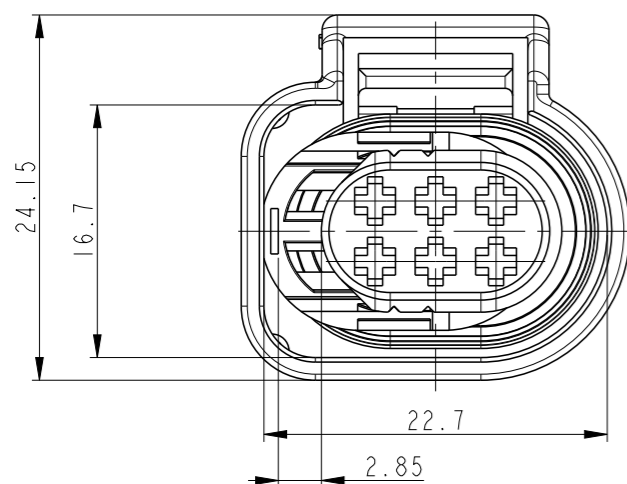
COLOR	P/N	WIRE INSULATION DIAMETER (mm)
YELLOW	964972-1	1.9~2.1
GRAY	963530-1	1.4~1.9
RED	964971-1	1.2~1.6
ORANGE	2112323-1	1.9~2.4
BROWN	2219708-4	2.1~2.4

REVISIONS

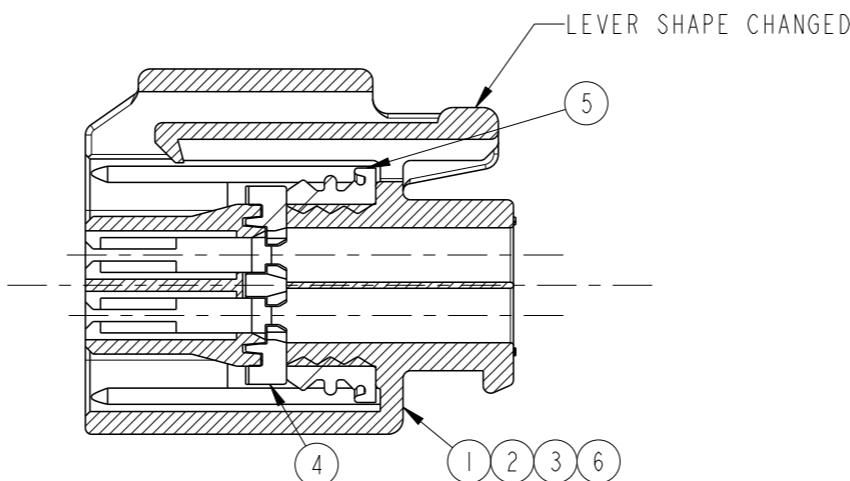
P	LTR	DESCRIPTION	DATE	DWN	APVD
C2		REVISED (ECR-18-010442)	4. JULY. '18	YJ	YJ
D		REVISED (ECR-19-015857)	11OCT2019	CH	YJ



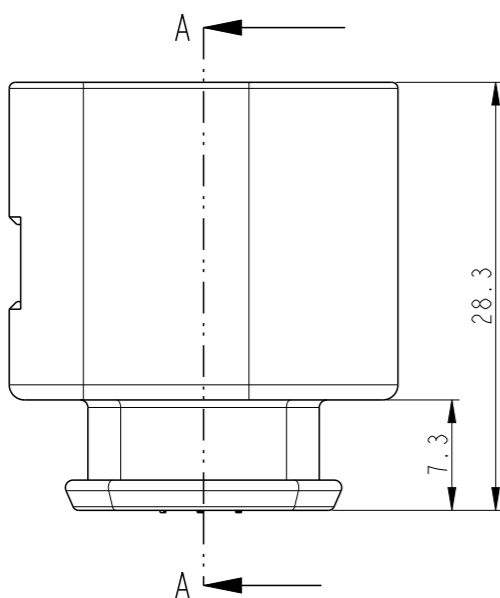
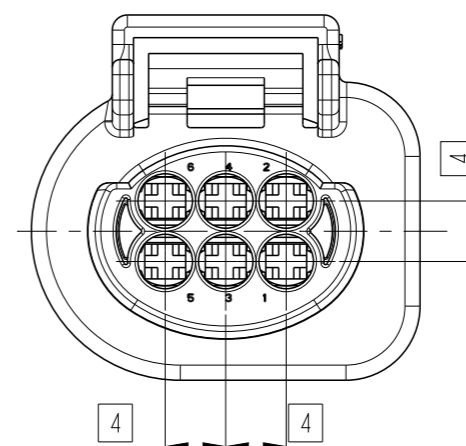
SCALE 1:1



DBL IN 1st LOCKING POSITION



SECTION A-A



- NOTES:
1. GENERAL TOLERANCE: ± 0.3 , $\pm 3^\circ$
 2. CONNECTOR SUPPLIED WITH SECONDARY LOCK PRE-ASSEMBLED
 3. CAVITY SUITABLE FOR MICRO TIMER II STD
 4. APPLIED CONTACT : SEE TABLE 1 & PRODUCT GROUP DRAWING FOR MICRO TIMER 2 CONTACT TYPE A (D/n 1355045)
 5. APPLIED WIRE SEAL : SEE TABLE 2
 6. APPLIED WIRE COVER : 2219369

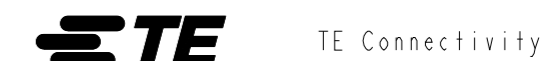
NO	COLOR	MATERIAL	DESCRIPTION	Q'TY
6	GRAY	PA66-GF15	PLUG HSG(CODE B)	-
5	RED	SILICONE	INNER SEAL	1
4	YELLOW	PA66-GF30	DBL HSG	1
3	BROWN	PA66-GF15	PLUG HSG(CODE B)	1
2	BLACK	PA66-GF15	PLUG HSG(CODE B)	1
1	BLACK	PA66-GF15	PLUG HSG(CODE A)	1

ASS'Y P/N	KEY CODE
2005372-2	A
1-2005372-2	B
2005372-4	B
2005372-3	B

THIS DRAWING IS A CONTROLLED DOCUMENT.

DIMENSIONS:	TOLERANCES UNLESS OTHERWISE SPECIFIED:
mm	
	0 PLC \pm
	1 PLC ± 0.5
	2 PLC ± 0.13
	3 PLC ± 0.013
	4 PLC ± 0.0001
	ANGLES \pm
MATERIAL	FINISH
SEE TABLE	SEE TABLE

DWN	YJ KIM
CHK	DG JEONG
APVD	KT LIM
PRODUCT SPEC	-
APPLICATION SPEC	-
WEIGHT	-
CUSTOMER DRAWING	-



NAME				MT2 SLD 6P PLUG ASSY	
SIZE	CAGE CODE	DRAWING NO	RESTRICTED TO		
A3	00779	C-2005372	-		
SCALE		SHEET		OF	REV
2:1		1		1	D