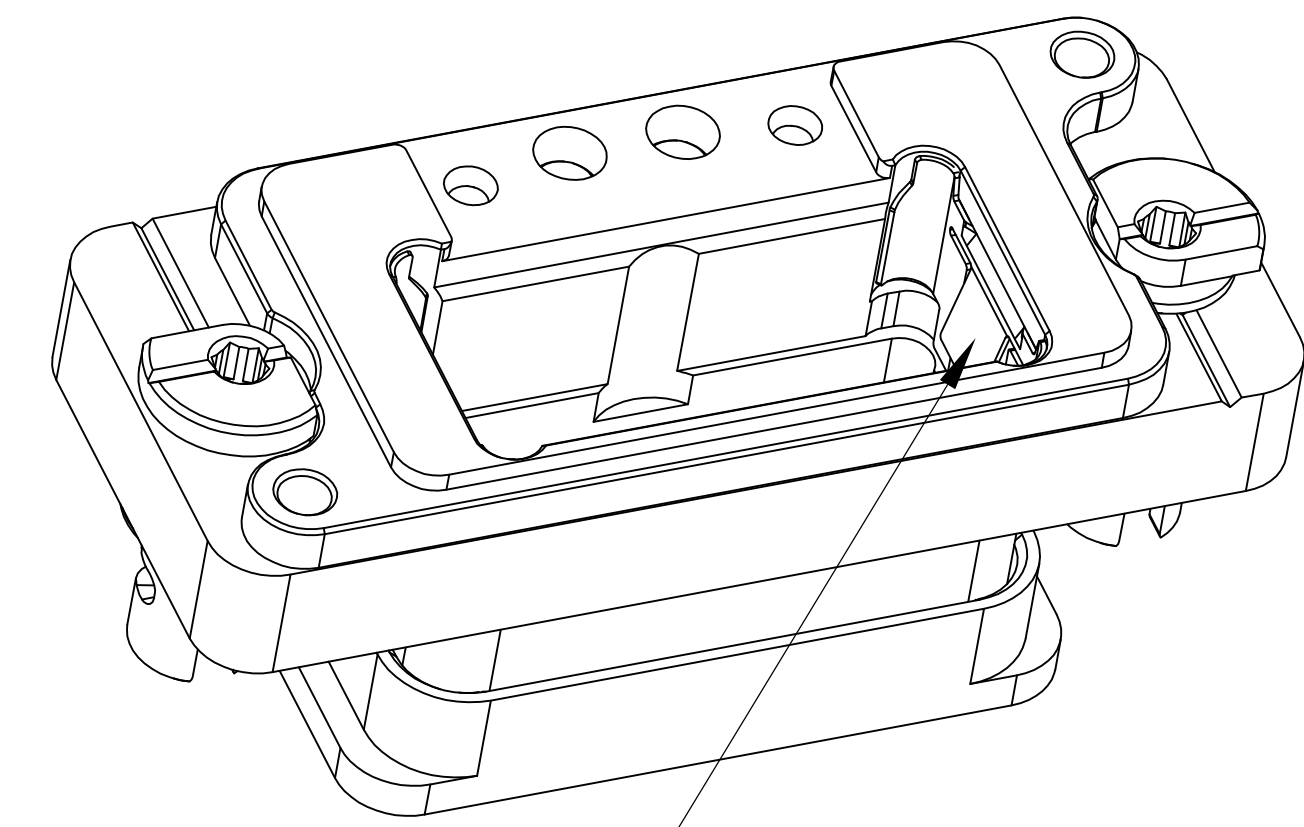
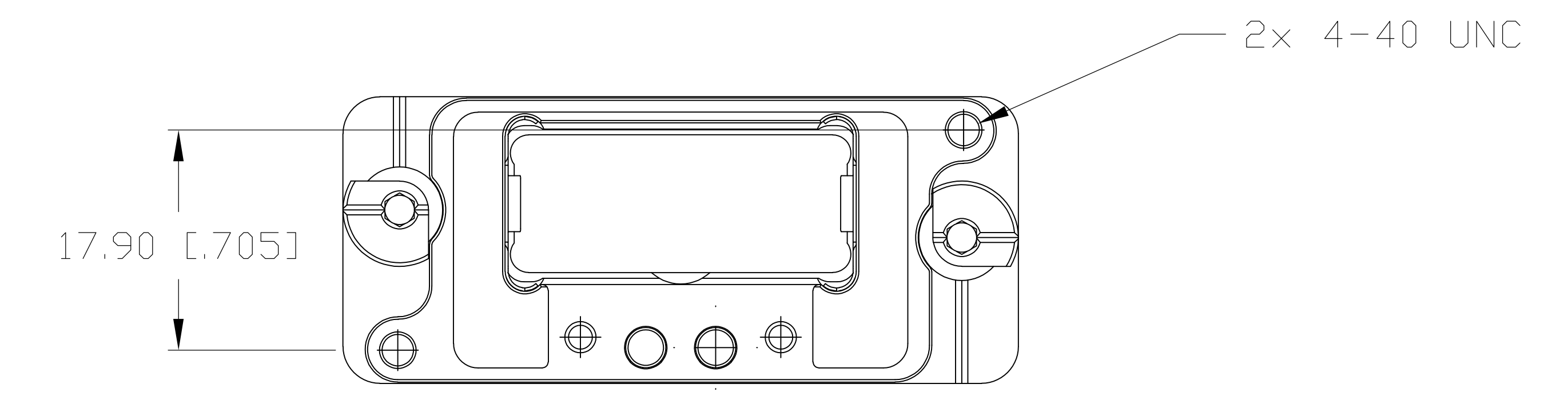
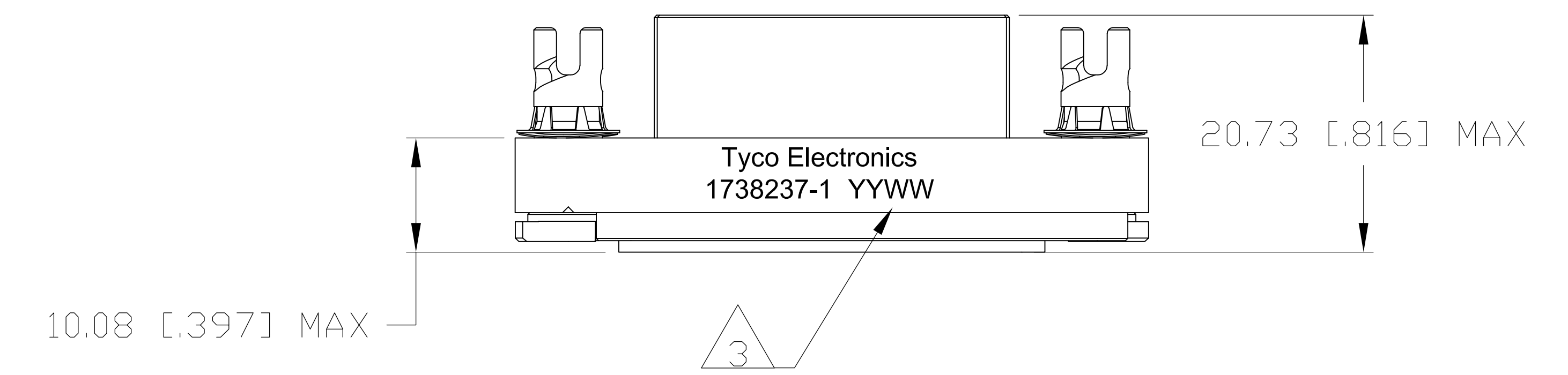
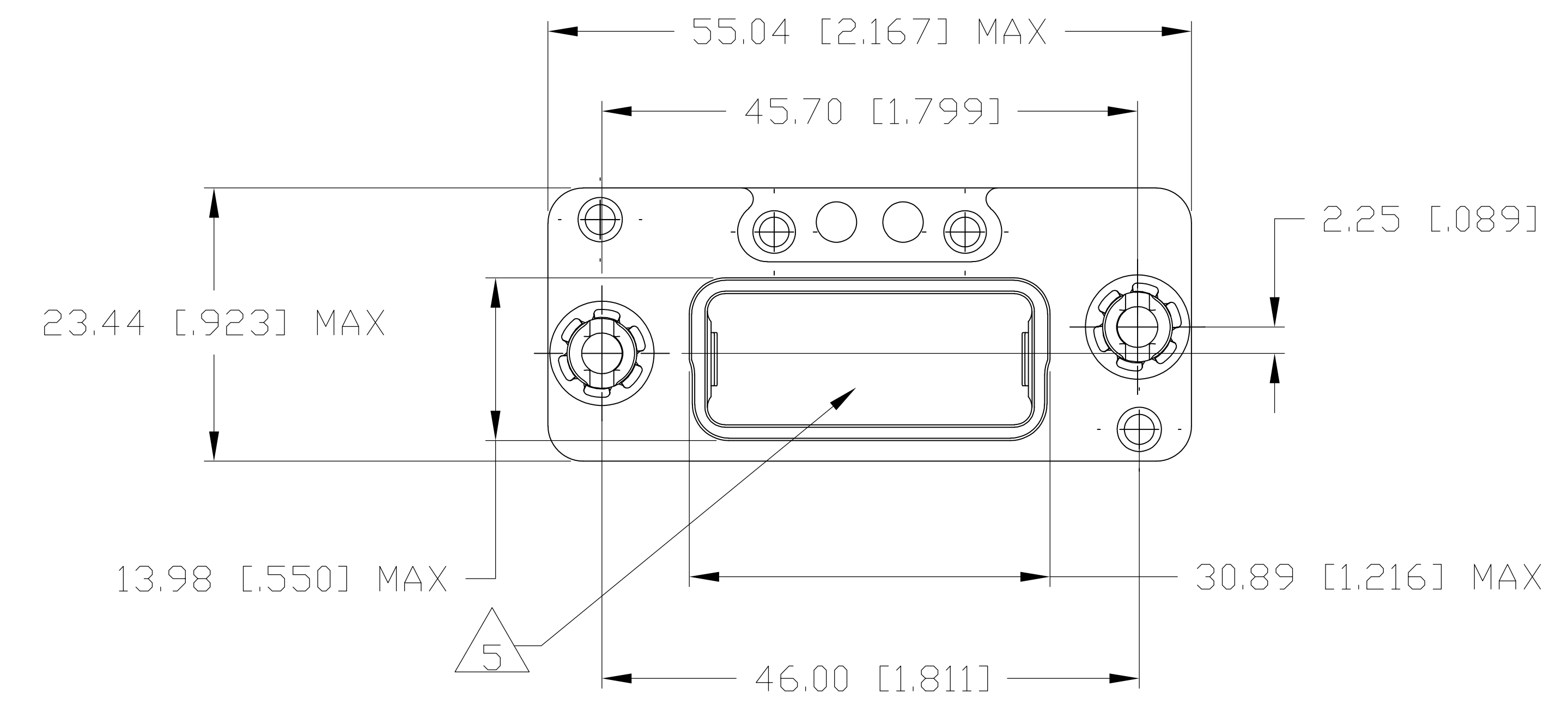


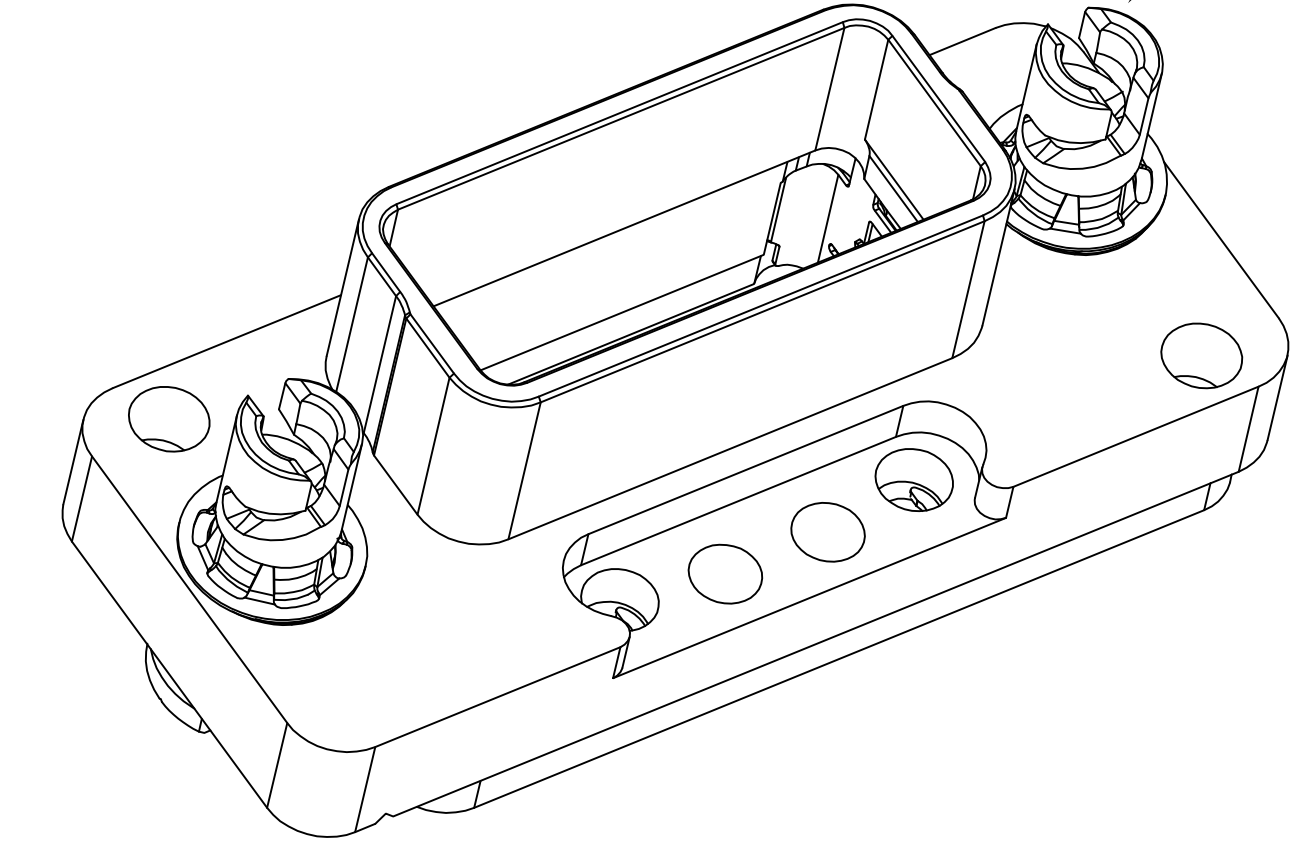
REVISIONS					
REV	DATE	DESCRIPTION	BY	CHKD	APP'D
0	03/04	CONVERTED RADIAL DWG TO TYCO ACAD DWG	RF	JM	
1	25FEB10	REVISED	RF	JM	
2	08APR10	REVISED	RF	JM	

- 1 SHELL: ALUMINUM ALLOY
QUARTER-TURN FASTENER: COPPER ALLOY PER ASTM B196
INSERT RETENTION CLIP, CURVED WASHER & FASTENER RETENTION CLIP: COPPER ALLOY PER ASTM B194
PROTECTIVE COVER: THERMOPLASTIC ELASTOMER
- 2 SHELL: ELECTROLESS NICKEL PER SAE AMS-C-26074, CLASS 1.
- 3 DATE CODE - YEAR & WEEK (YY WW)
- 4. POLARIZATION KEYS, TYCO ELECTRONICS PART NUMBER 1738428-1 (MALE) OR 1738429-1 (FEMALE), AND THE RETENTION PLATE, TYCO ELECTRONICS PART NUMBER 1738440-1, MAY BE PURCHASED SEPARATELY.
- 5 SHELL CAVITY FOR GPRB SERIES INSERTS WITH KEYING CODE A.
- 6. DESCRIPTIVE PART NUMBER: GPRB1PB05N
SERIES: GPRB
SHELL SIZE: 1 (SINGLE-CAVITY SHELL)
SHELL STYLE: P (PLUG)
MODIFICATION CODE: B (NO MOUNTING HOLES)
LOCKING DEVICE: 0 (QUARTER-TURN FASTENER)
POLARIZATION CODE: 5 (POLARIZING HARDWARE PURCHASED SEPARATELY)
SHELL PLATING: N (NICKEL PLATING)
- 7. THIS PRODUCT IS SOLD BY TYCO ELECTRONICS UNDER A LICENSE FROM RADIAL SA.



INSERT RETENTION CLIP

QUARTER-TURN FASTENER



SHELL

PROTECTIVE COVER

CURVED WASHER

FASTENER RETENTION CLIP

THIS PRINT IS
PRELIMINARY
UNQUALIFIED PRODUCT
CONTACT PRODUCT ENGINEERING
BEFORE USING THIS PRINT

1738237-1
PART NUMBER

THIS DRAWING IS A CONTROLLED DOCUMENT.		REV. FLAG	DATE	BY	CHKD	APP'D	Tyco Electronics Corporation Harrisburg, Pa 17105-3608	
DIMENSIONS: mm (INCHES)		FOR CHANGE USES: OTHERWISE SPECIFIED:	DATE	DATE	DATE	DATE	Tyco Electronics Corporation Harrisburg, Pa 17105-3608	
0. PLG	+	+	+	+	+	+	PLUG SHELL ASSEMBLY, GPRB1	
1. PLG	+	+	+	+	+	+	SIZE: 1738237	
2. PLG	+	+	+	+	+	+	SCALE: 1:1	
3. PLG	+	+	+	+	+	+	SHEET 1 OF 1	
4. PLG	+	+	+	+	+	+	REV 2	
5. PLG	+	+	+	+	+	+	CUSTOMER DRAWING	