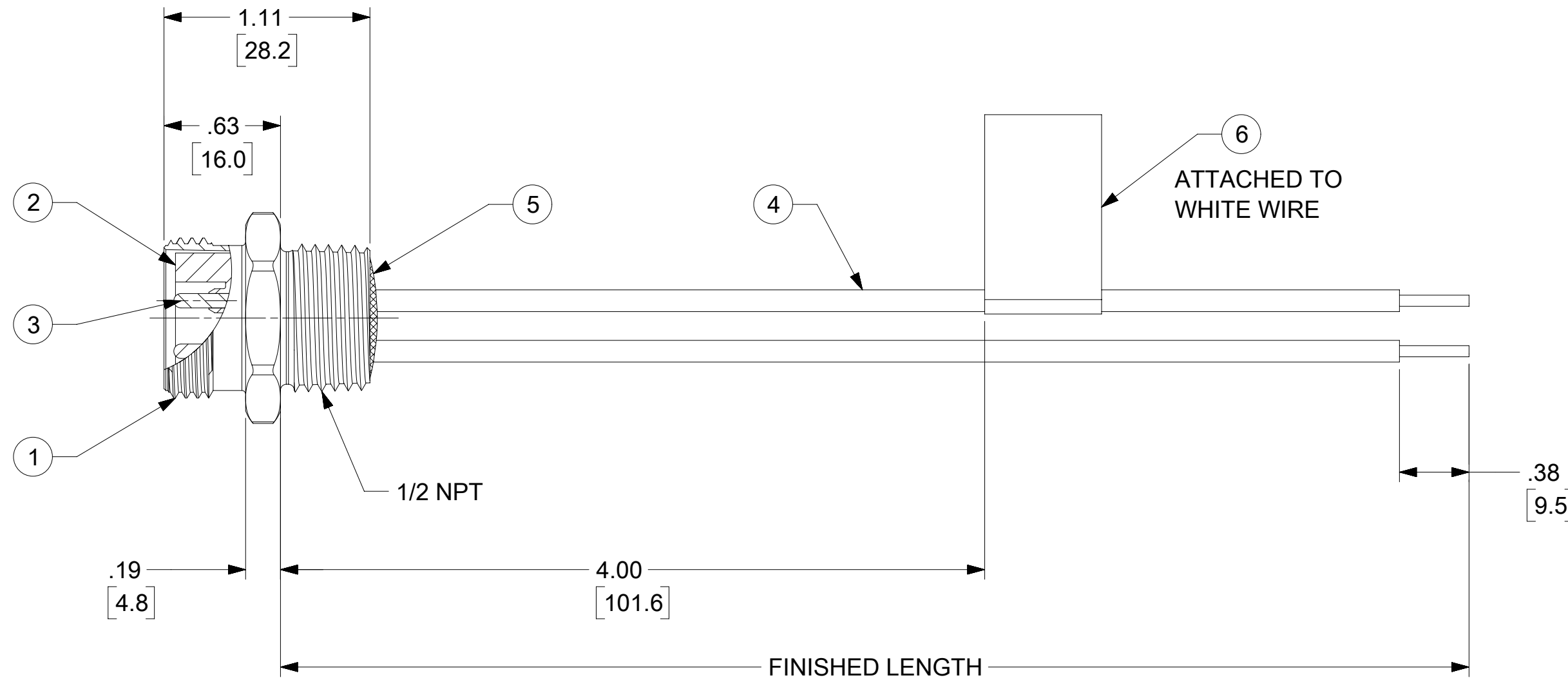
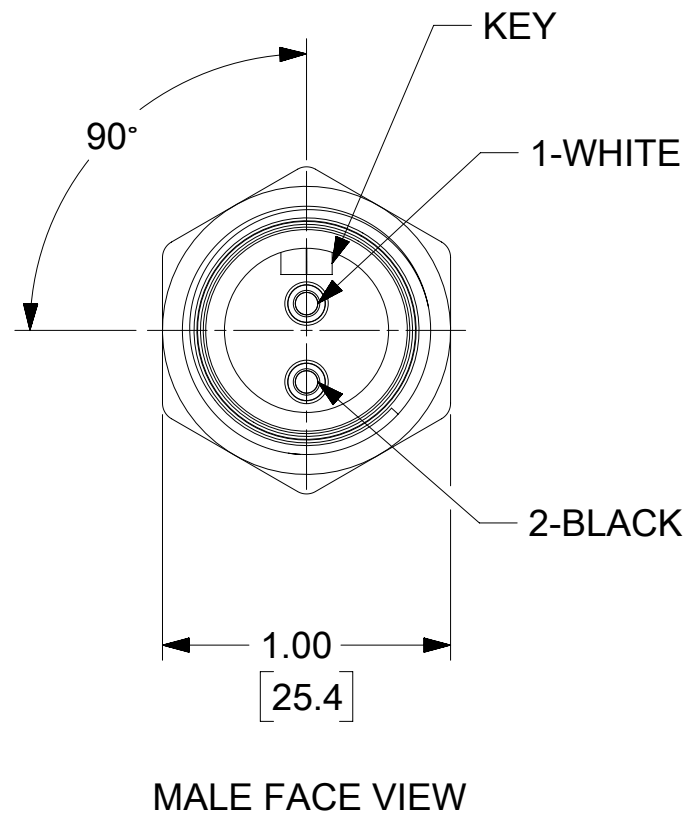
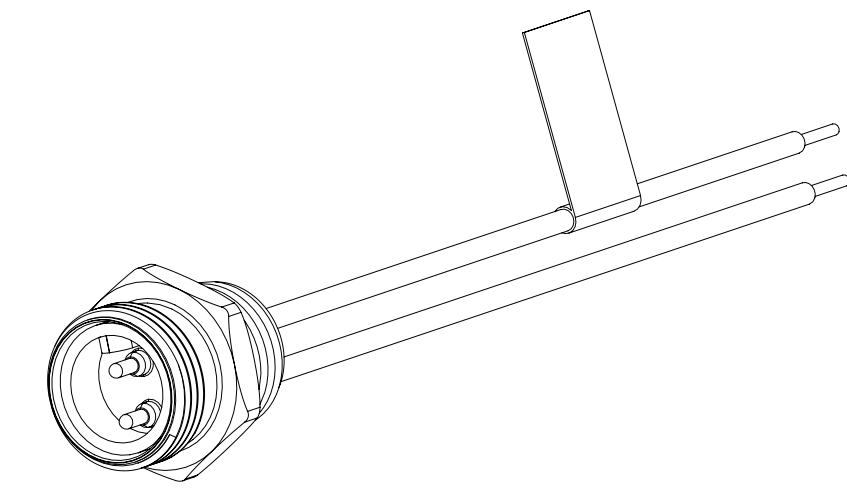
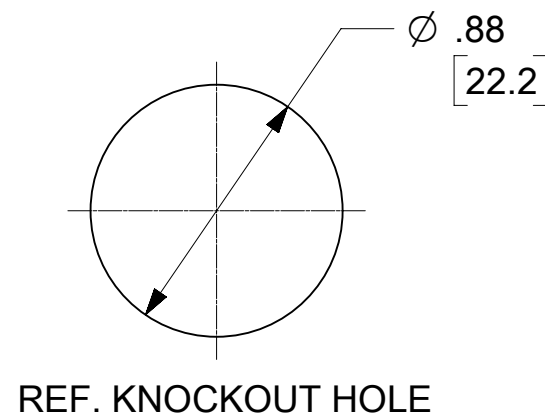


PART NO.	ENGINEERING NO.	FINISHED LENGTH
1300130076	1R2006A20A120	12 IN (0.3M)
1300130081	1R2006A20F030	3 FT (0.9M)
1300130084	1R2006A20F060	6 FT (1.8M)

CABLE LENGTH TOLERANCES  
 <.3M [1FT]: +19mm-0 [+.75in-0]  
 .3 - .9M [1 - 3FT]: +44.5mm-0 [+1.75in-0]  
 .9 - 1.8M [3 - 6FT]: +55.6mm-0 [+2.19in-0]  
 1.8 - 3.7M [6 - 12FT]: +88.9mm-0 [+3.50in-0]  
 3.7 - 7.3M [12 - 24FT]: +165.1mm-0 [+6.50in-0]  
 7.3-14.6M [24 - 48FT]: +317.5mm-0 [+12.50in-0]  
 14.6 - 30.5M [48-100FT]: +622.3mm-0 [+24.50in-0]  
 OVER 30M [100FT] +2% OF FINISHED LENGTH



- NOTES:  
 1. MATERIAL: AS NOTED  
 2. FINISH: AS NOTED  
 3. ELECTRICAL:  
 VOLTAGE: 500V PER IEC60664  
 600V PER UL2238  
 CURRENT: 13A  
 4. TEMP RATING: -20°C TO +105°C  
 5. PROTECTION: IP67 (WHEN MATED)  
 6. COUPLING THREAD: 7/8-16 UN  
 7. UL RECOGNIZED FILE: E152210  
 CSA CERTIFIED: LR6837  
 8. ALL DIMS ARE FOR REFERENCE UNLESS TOLERANCED OR NOTED OTHERWISE



**PART NUMBER LEGEND**

1R2006A20A120  
 LENGTH  
 A060 = 6 IN  
 A120 = 12 IN  
 F060 = 6.0 FT  
 M003 = 0.3 METERS  
 M010 = 1.0 METERS  
 M100 = 10.0 METERS

ITEM	DESCRIPTION	MATERIAL	FINISH
6	FLAG LABEL	VINYL	BLACK/YELLOW
5	POTTING MATERIAL	EPOXY	
4	WIRE #16 (UL 1015)	PVC INSULATION	SEE FACE VIEW
3	CONTACT PIN	Cu ALLOY	GOLD PLATED
2	INSERT	TPE	YELLOW
1	RECEPTACLE SHELL	ZINC (DIE-CAST)	BLACK E-COAT

FUNCTIONAL SYMBOLS	THIS DRAWING CONTAINS INFORMATION THAT IS PROPRIETARY TO MOLEX ELECTRONIC TECHNOLOGIES, LLC AND SHOULD NOT BE USED WITHOUT WRITTEN PERMISSION		CURRENT REV DESC: REDRAWN TO NX FOR 2 POLE, REPLACES SD-130013-120	
	DIMENSION UNITS	SCALE		
FA = 0	INCH/MM	1:1		
DIVISIONAL SYMBOLS	GENERAL TOLERANCES (UNLESS SPECIFIED)		EC NO: 668276	
		MM	INCH	
FC = 0	4 PLACES	±	±	DRWN: RSTONE 2021/06/23
FP = 0	3 PLACES	±	±	CHK'D: MZIELINSKI 2021/07/08
	2 PLACES	±	±	APPR: BWOODMAN 2021/07/12
	1 PLACE	±	±	INITIAL REVISION:
	0 PLACES	±	±	DRWN: RSTONE 2021/06/23
	ANGULAR TOL	±	°	APPR: BWOODMAN 2021/07/12
DRAFT WHERE APPLICABLE MUST REMAIN WITHIN DIMENSIONS		THIRD ANGLE PROJECTION		DRAWING SERIES
		C-SIZE		130013
DOCUMENT STATUS		P1	RELEASE DATE	2021/07/12 18:53:07
DOCUMENT NUMBER		CUSTOMER		SHEET NUMBER
1300130076		GENERAL MARKET		1 OF 1