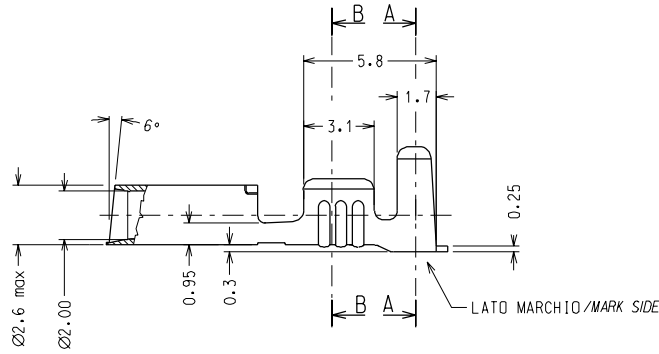
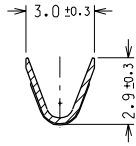
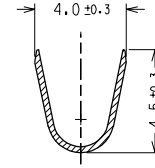


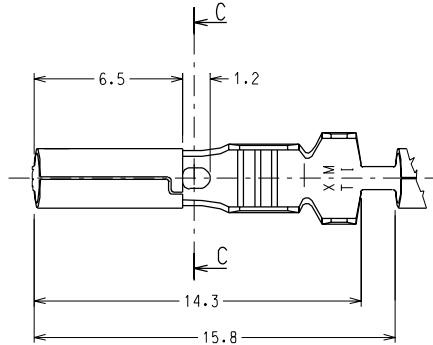
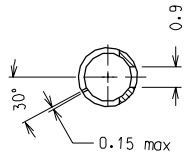
Sec. B-B



Sec. A-A



Sec. C-C



CODICE P/N	MATERIALE MATERIAL	FINITURA PLATING
94537-0100	OTTONE BRASS	GREGGIO/PLAN
94537-0101		PRESTAGNATO/PRETINNED

CONFEZIONE STANDARD:
36000 pz. in 3 bobine x scatola

STANDARD PACKING QUANTITY:
36000 pcs. in 3 reels for box

REFERENCE SPEC.: SIGNAL LUX PR 222-04-17

EC NO. Z8-111 DRWNL-SANTESSO 03-05-98 CHK: S.SORATO 03-05-98 APPRS: BARBIERI 03-05-98	QUALITY SYMBOLS	GENERAL TOLERANCES: (UNLESS SPECIFIED)		SCALE 5:1	DESIGN UNITS <input checked="" type="checkbox"/> mm <input type="checkbox"/> INCH	DIMENSIONS: <input type="checkbox"/> mm <input type="checkbox"/> INCH <input checked="" type="checkbox"/> mm ONLY	SHT	REV	
	MAJOR M =	mm	INCH	DRAWN BY & DATE	L.SANTESSO 05-06-97 CHECKED BY & DATE S.SORATO 05-06-97 APPROVED BY & DATE S.BARBIERI 05-06-97	FIRST ANGLE PROJECTION TITLE: TERMINALE CILINDRICO FEMMINA Ø 2 CYLINDRICAL FEMALE TERMINAL Ø 2 SEZ. FILO/WIRE SECT. = 0.5-1.5 mm ² ØISOLANTE/INSUL. = 2.2-3.35 mm		REVISE ON CAD ONLY	
	SIGNIF. S =	4 PLACES ±0.1	±	3 PLACES ±0.2					±
	CRITICAL C =	ANGULAR: ± 2°	DRAFT WHERE APPLICABLE MUST REMAIN WITHIN DIMENSIONS		CAD FILENAME	94537001.DGN	MATERIAL NO. SEE TABLE	DRAWING NO. SD-94537-001	SHEET NO. 1/1
A	REV	THIS DRAWING CONTAINS INFORMATION THAT IS PROPRIETARY TO MOLEX INCORPORATED AND SHOULD NOT BE USED WITHOUT WRITTEN PERMISSION.						SIZE A3	