

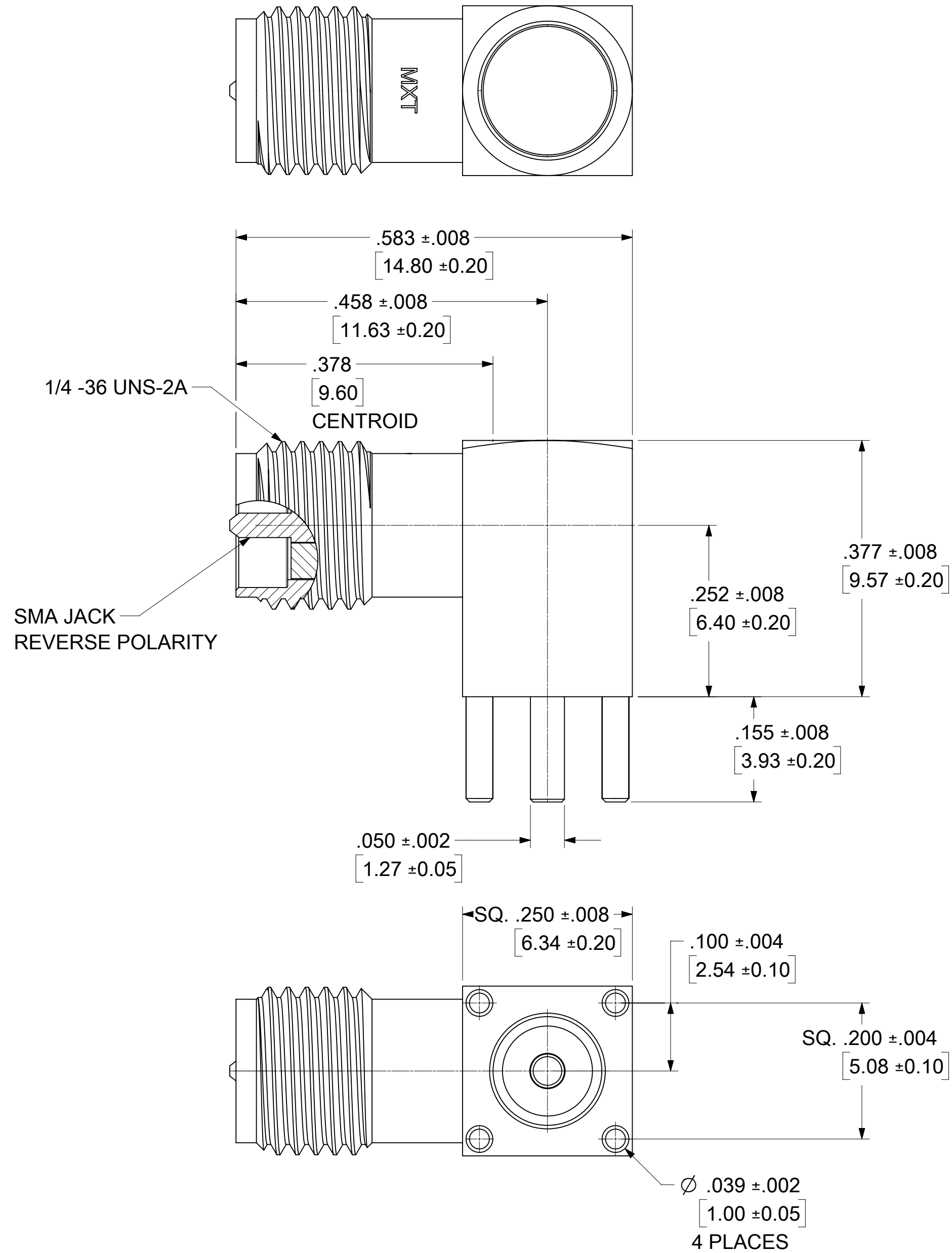
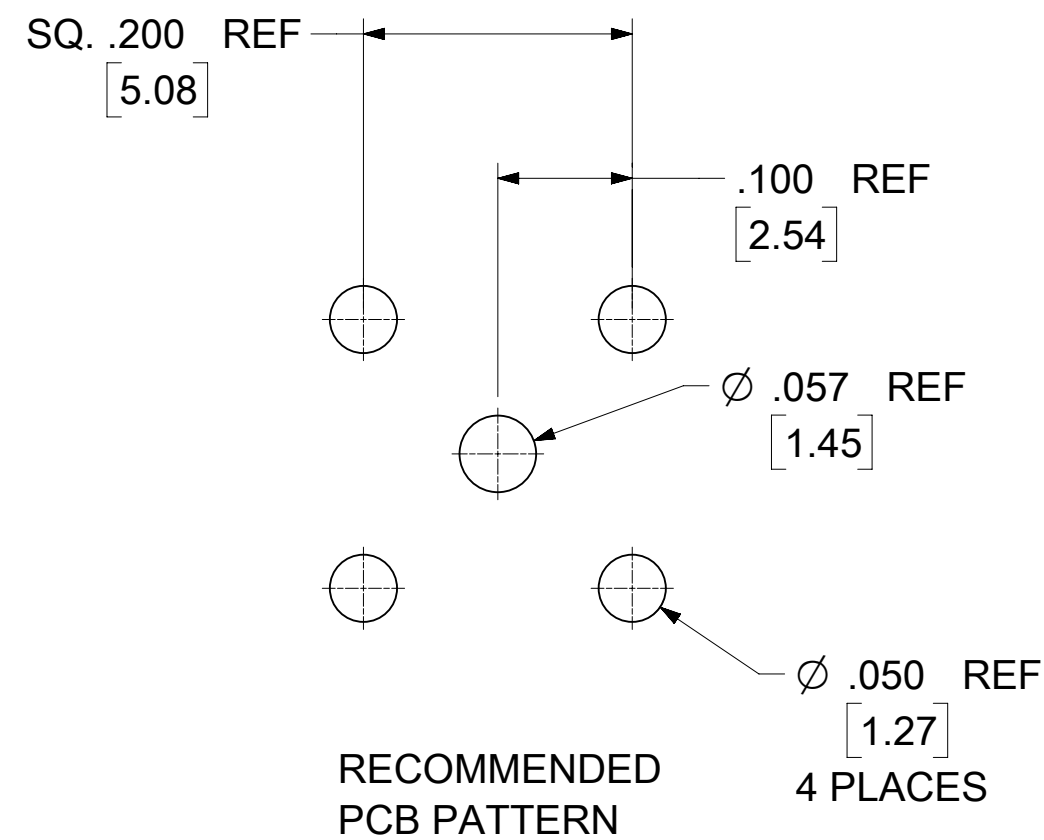
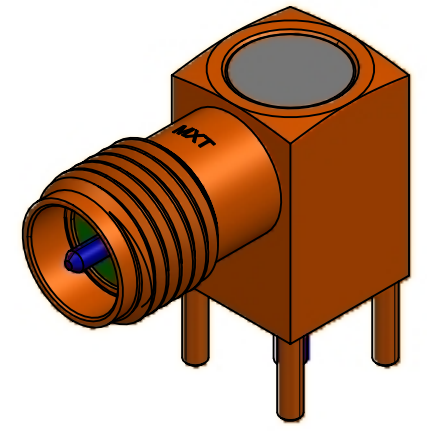
MATERIALS AND FINISHES:

BODY: ZINC ALLOY  
PLATED SEE TABLE

CONTACT: BRASS  
PLATED SEE TABLE

INSULATOR: TEFLON

CAP: BRASS  
PLATED SEE TABLE



73391-0323	GOLD 1u" ~ 3u"	GOLD 10u" ~ 30u"	TRAY (80), REFER TO 89542-0044
73391-0322	GOLD FLASH	GOLD 1u" ~ 3u"	TRAY (80), REFER TO 89542-0040
73391-0321	NICKEL 100u" ~ 150u"	GOLD 1u" ~ 3u"	TRAY (80), REFER TO 89542-0320
73391-0320	GOLD 1u" ~ 3u"	GOLD 10u" ~ 30u"	TRAY (80), REFER TO 89542-0320
PART NO.	BODY & CAP	CONTACT	

PS-89675-283	PRODUCT SPECIFICATION
SPECIFICATION	DESCRIPTION

DOCUMENT STATUS	P1	RELEASE DATE	2021/04/15 01:22:29
-----------------	----	--------------	---------------------

FUNCTIONAL SYMBOLS	THIS DRAWING CONTAINS INFORMATION THAT IS PROPRIETARY TO MOLEX ELECTRONIC TECHNOLOGIES, LLC AND SHOULD NOT BE USED WITHOUT WRITTEN PERMISSION		
	DIMENSION UNITS	SCALE	CURRENT REV DESC:
$\nabla_A = 0$	INCH/MM	NTS	REMOVE PAGE 2
$\nabla_E = 0$	GENERAL TOLERANCES (UNLESS SPECIFIED)		
$\nabla_P = 0$	ANGULAR TOL ± 2.0°		
DIVISIONAL SYMBOLS	4 PLACES	±	EC NO: 660706
	3 PLACES	±	DRWN: JSU18 2021/04/13
	2 PLACES	±	CHK'D: YCHENG 2021/04/15
	1 PLACE	±	APPR: YCHENG 2021/04/15
0 PLACES	±	INITIAL REVISION:	DOCUMENT NUMBER
			SD-73391-032
			PSD 001 A10
			MATERIAL NUMBER
			SEE TABLE
			CUSTOMER
			GENERAL MARKET
			SHEET NUMBER
			1 OF 1