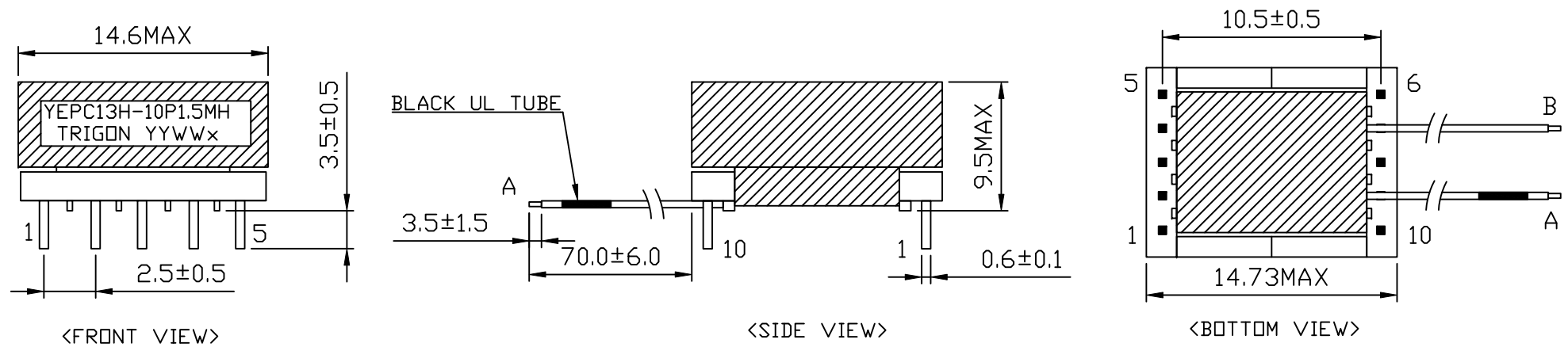


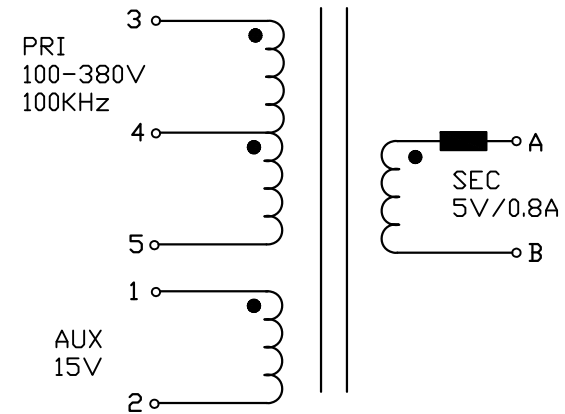
CONFIGURATION & DIMENSIONS:



ELECTRICAL SPECIFICATION: @25°C

Inductance: @10KHz/0.1V
 L(3-5): 1.5mH±10%
 Ld(3-5): 20% Typ @0.42A
 Leakage Inductance: @100KHz/0.1V
 Lk(3-5): 34.0uH MAX(short other pins)
 DCR:
 R(3-5): 6.2Ω MAX; R(1-2): 0.65Ω MAX
 R(A-B): 0.05Ω MAX
 Turns Ratio: @20KHz/1.0V
 (3-5):(1-2)=5.333:1 ±1%
 (3-5):(A-B)=16:1 ±1%
 (3-4):(4-5)=1:1 ±1%
 Hi-pot:
 Pri to Sec: 3750VAC/5mA/1s
 Pri to Aux: 625VAC/5mA/1s

SCHEMATIC:



"•": START
 "■": UL TUBE

NOTES:

- This part is rohs compliant
- Removed PIN7.9

TOL UNLESS NOTED				TITLE: TRANSFORMER			PART NO: YEPC13H-10P1.5MH				
.X: ±0.40mm					APPROVED BY	CHECKED BY	DRAWN BY	UNIT	mm	SCALE	NONE
.XX: ±0.25mm					ES	LL	JK	SHEET	1	OF	1
.XXX: ±0.10mm					01	11-19-2020	JK				
ANGLE: ±3.0°	REV	DATE	SIGN	TRIGON COMPONENTS, INC. www.trigoncomponents.com							