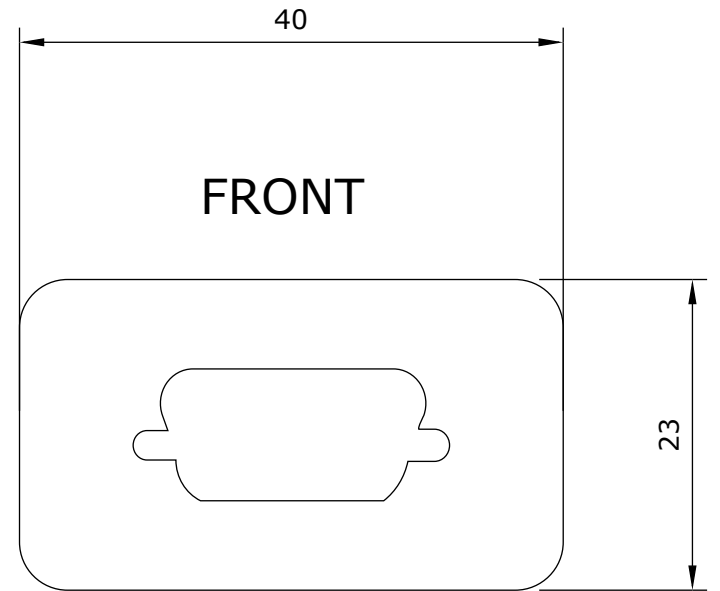
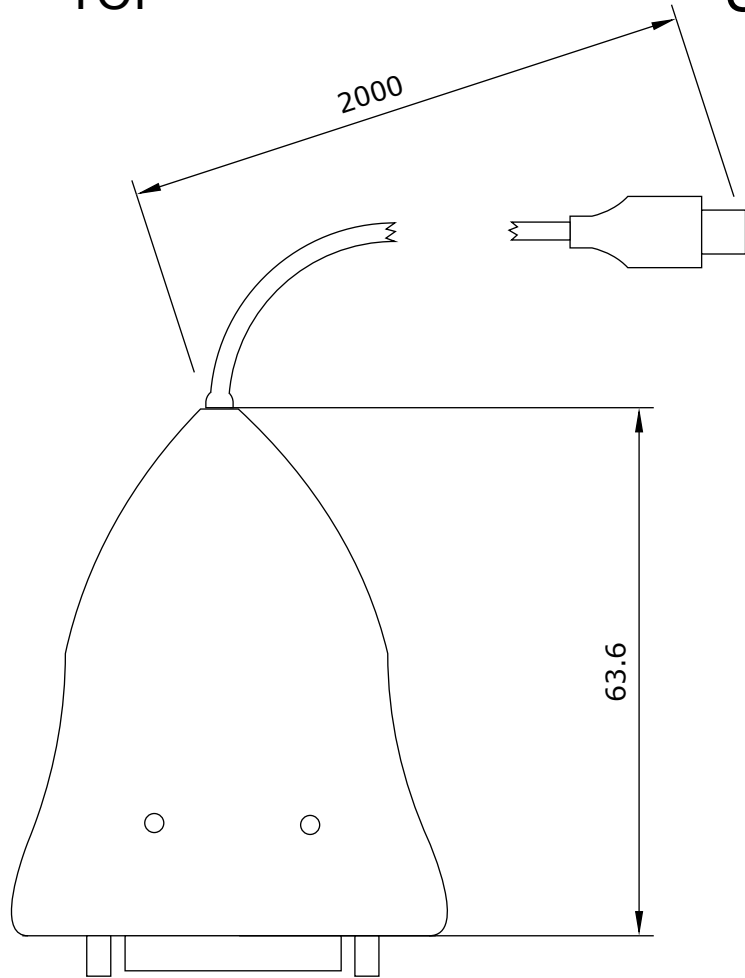



TOP

Units:mm



		MODEL #:	USBG-232MM
		PAGE:	1 / 1
DRAW:		NOTES:	
DATE:	7/17/2015	SCALE:	1mm = 1mm
UNIT:	mm	TOLERANCE:	+/- 0.15 mm
SITE:	coolgear.com	CONTACT:	support@coolgear.com