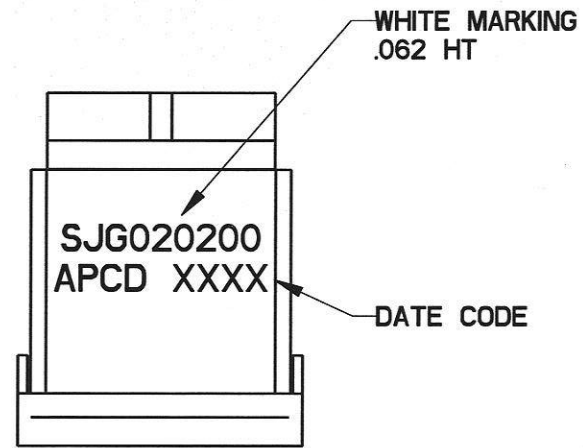
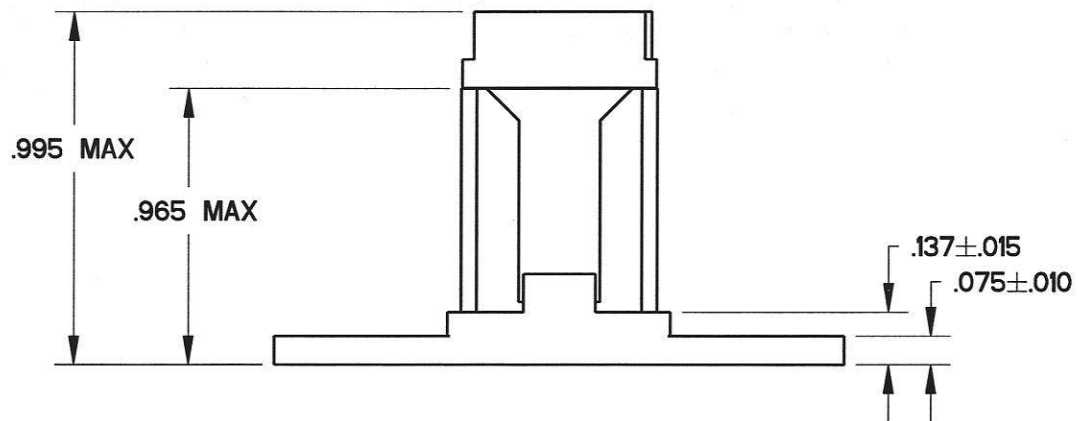
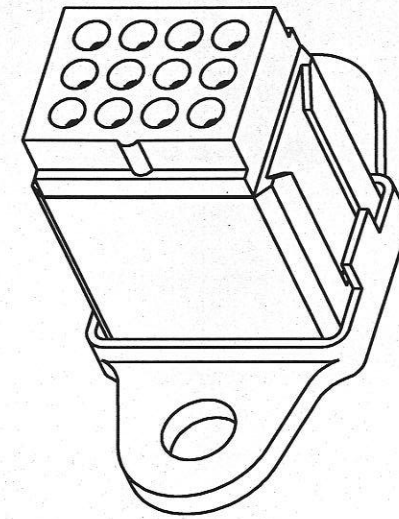
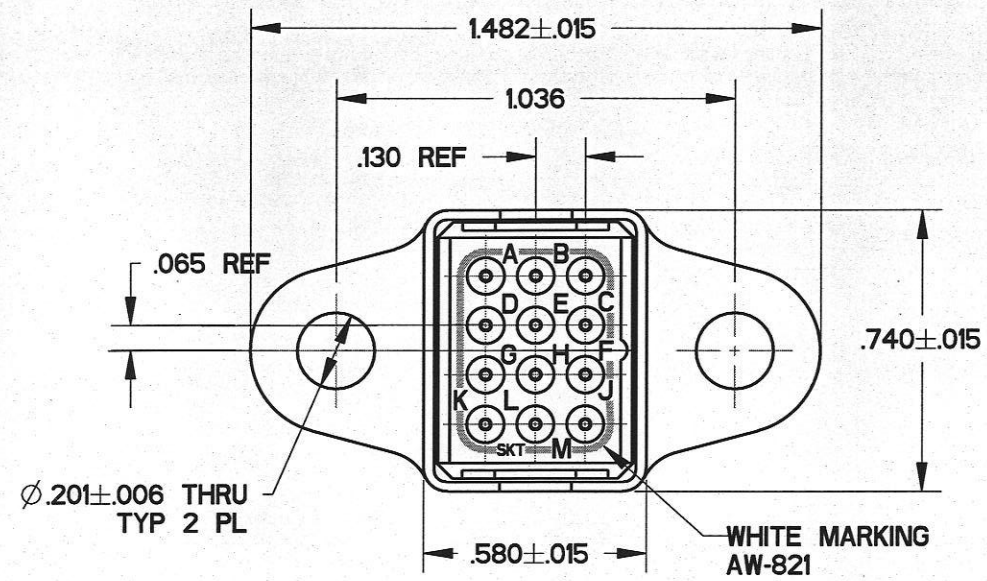


REV	ECN	APP'D
B	6024	4-12-07



- NOTES:
- PART MEETS ALL REQUIREMENTS OF MIL-T-81714/63
  - MATERIALS:  
GROMMET - SILICONE RUBBER PER A-A-59588  
BODY - POLYETHERIMIDE PER ASTM-D-5205  
SHELL/STUD - COPPER ALLOY, TIN PLATED  
CONTACT RETAINER CLIPS - STAINLESS STEEL PER ASTM-A666
  - PART ACCEPTS M39029/22-192 SOCKET CONTACTS. SEE TABLE

APCD P/N	SUPPLIED		MARKING
	SKTS	PLUGS	APCD PART NO.
SJG020200	13	2	SJG020200
SJG020201	-	-	

<b>DIMENSIONS</b> ANSI Y14.5M UNITS: INCHES Pro/E FILE	<b>TOLERANCES</b> .XX ±0.01 .XXX ±0.005 ANGLES ±2.0°	<b>PROJECTION</b> 	<b>Amphenol Pcd</b> SPECIFICATION DRAWING			<b>TITLE</b> SJG, SIZE 20 GROUNDING MODULE TIN PLATED		
			DRWN R. SWAINE 02/15/07	SIZE <b>B</b>		DWG NO. <b>SJG020200</b>		REV <b>B</b>
ORIGINAL 	THIS DOCUMENT CONTAINS PROPRIETARY INFORMATION WHICH IS THE CONFIDENTIAL PROPERTY OF AMPHENOL PCD INC., PEABODY, MA		ENGR 4/12/07	CODE: 58982		SCALE: 2:1	SHEET 1 OF 1	

SJG020200

SJG020200