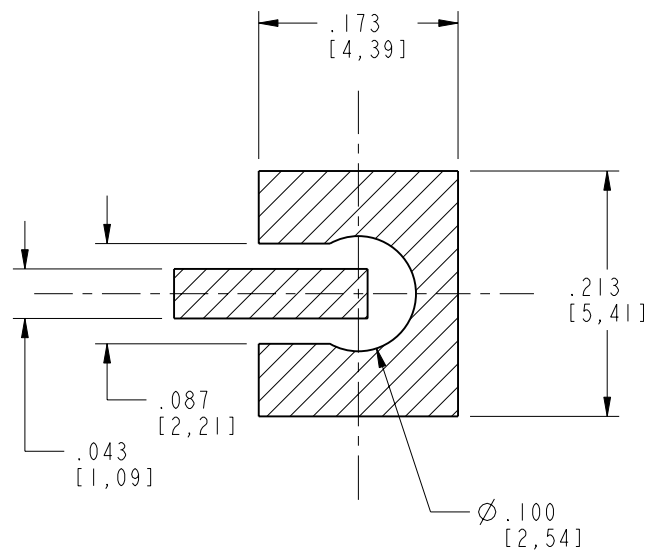


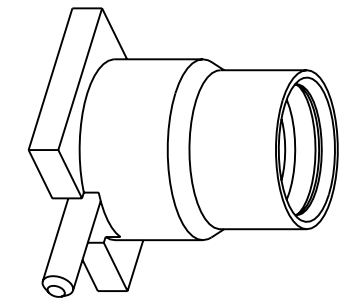
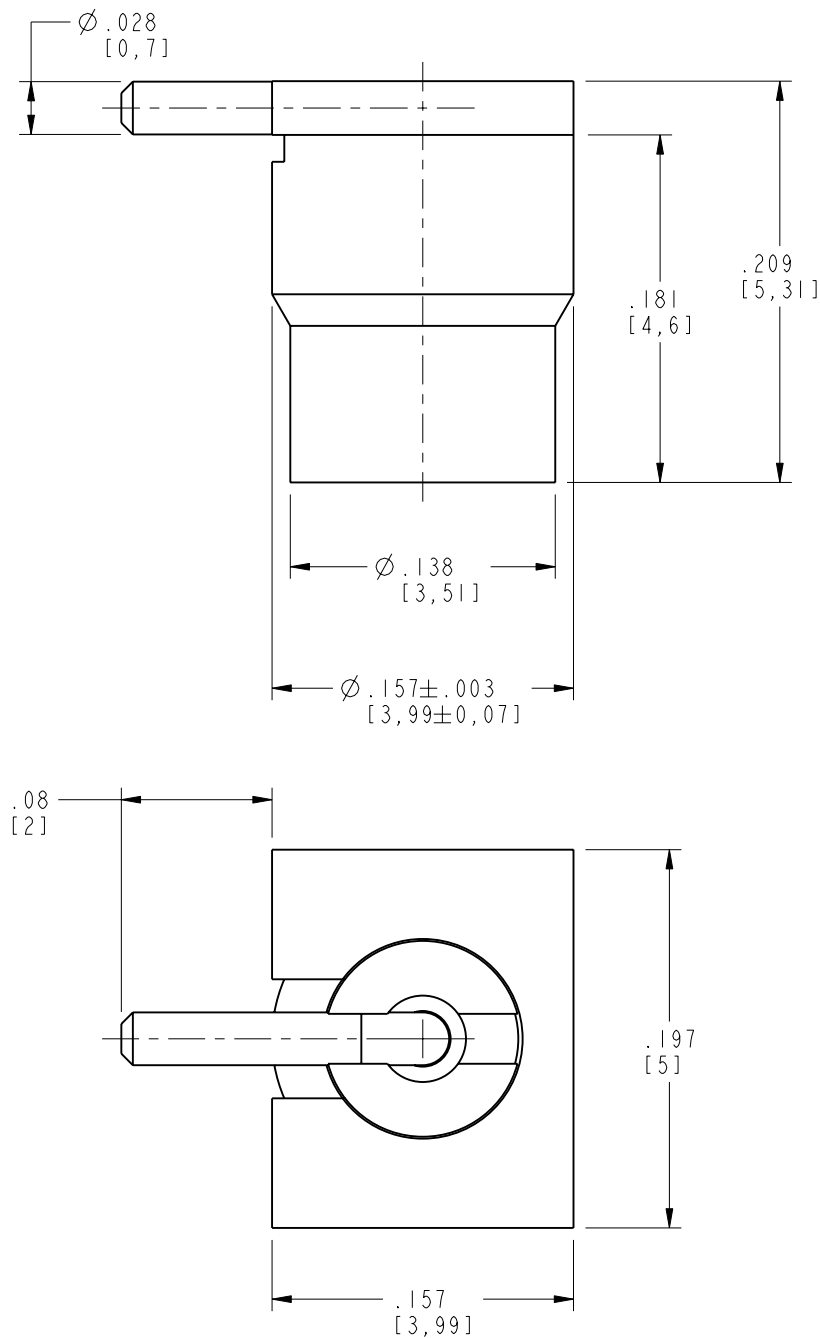
NOTES:

1. MATERIALS AND FINISHES:
 - BODY - BRASS, GOLD PLATING, .000030 [0.8] THICK
 - CONTACT - SPRING ALLOY, GOLD PLATING, .000030 [0.8] THICK
 - INSULATOR - PTFE
2. ELECTRICAL:
 - A. IMPEDANCE: 50 OHM
 - B. FREQUENCY RANGE: DC - 6 GHz
3. PHYSICAL:
 - A. DURABILITY: 500 CYCLES MIN.
 - B. TEMPERATURE RANGE: -65° C TO 165° C
4. PACKAGING:
 - A. QUANTITY: SINGLE PACK
 - B. MARKING:
 - AMPHENOL
 - 908-22109
 - DATE CODE

908-22109		REVISIONS			
DRAWING NO.	REV	DESCRIPTION	DATE	ECO	APPR
FIRST ANGLE PROJ.	A	RELEASE TO MFG	3/1/04	44830	CPM



RECOMMENDED PCB LAYOUT
(TOP MOUNT)
SCALE 6.000



SCALE 6.000

CUSTOMER OUTLINE DRAWING
ALL OTHER SHEETS ARE FOR INTERNAL USE ONLY

UNLESS OTHERWISE SPECIFIED, DIMENSIONS ARE IN INCHES AND TOLERANCES ARE:
2 PLACE DECIMAL 3 PLACE DECIMAL ANGLES
 $\pm .015$ (0,381 mm) $\pm .005$ (0,127 mm) $\pm 1^\circ$

NOTICE - These drawings, specifications, or other data (1) are, and remain the property of Amphenol Corp. (2) must be returned upon request; and (3) are confidential and not to be disclosed to any person other than those to whom they are given by Amphenol Corp. The furnishing of these drawings, specifications, or other data by Amphenol Corp., or to any other person to anyone for any purpose is not to be regarded by implication or otherwise in any manner licensing, granting rights or permitting such holder or any other person to manufacture, use or sell any product, process or design, patented or otherwise, that may in any way be related to or disclosed by said drawings, specifications, or other data.

MATERIAL	DRAWN	DATE	TITLE
	OWEN BARTHELME	24-Sep-01	MMCX (F) PCB JACK SMT REAR MOUNT OR TOP MOUNT
	ENGINEER	DATE	
	OWEN BARTHELME	24-Sep-01	
REFERENCE	APPROVED	DATE	
GEN# ASSYF11 MMCX	OWEN BARTHELME	3/1/04	
EAR# 1293			
615X-1740-100			

CAD FILE	CODE ID	DWG SIZE	DRAWING NO.	REV
I:\MMCX\908-22109	74868	B	908-22109	A

Amphenol	
Amphenol Corporation Communication and Network Products Division Danbury, CT U.S.A. 06810	
SCALE: 10.0:1	SHEET 2 OF 2