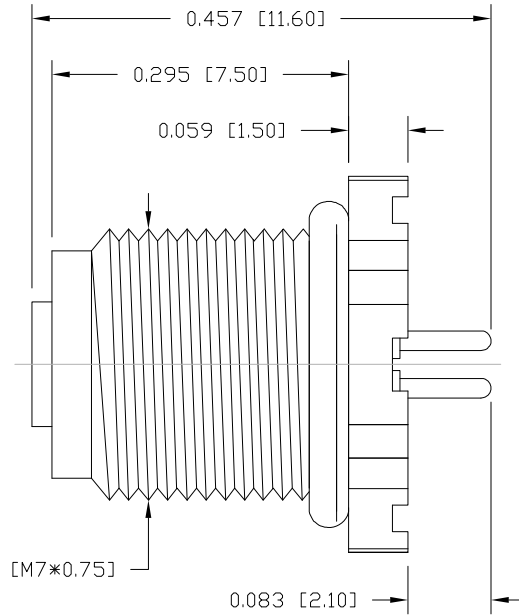
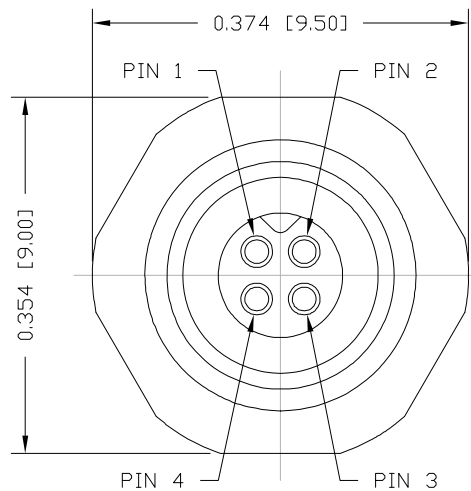


DESCRIPTION: M5 FEMALE - PANEL MOUNT (REAR) - VERTICAL - 4 POSITION



NOTE:

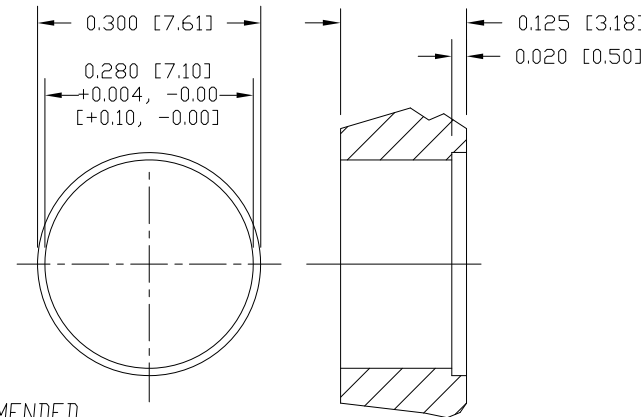
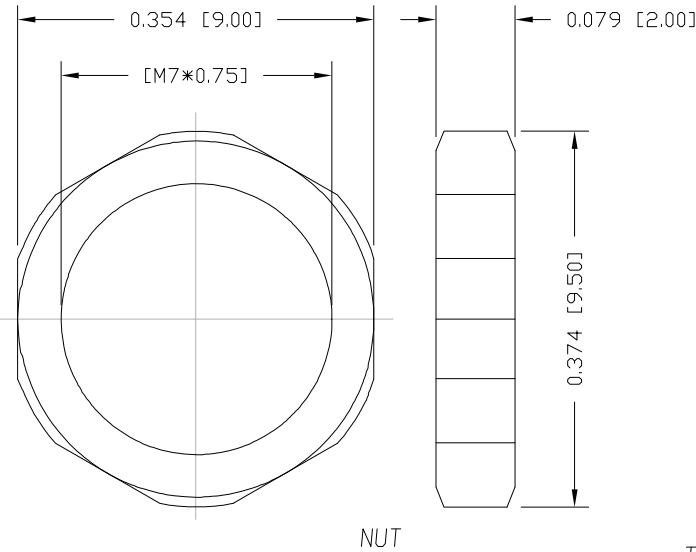
MATERIAL
 HOUSING: PBT UL94V-0, BLACK
 CONTACT: BRASS
 NUT: BRASS
 SHELL: BRASS
 O-RING: NBR, BLACK
 EPOXY BASE: EF400A & EF400B, BLACK

FINISH
 CONTACT: GOLD PLATED
 OVER 50µ" NICKEL
 NUT: NICKEL PLATED
 SHELL: NICKEL PLATED

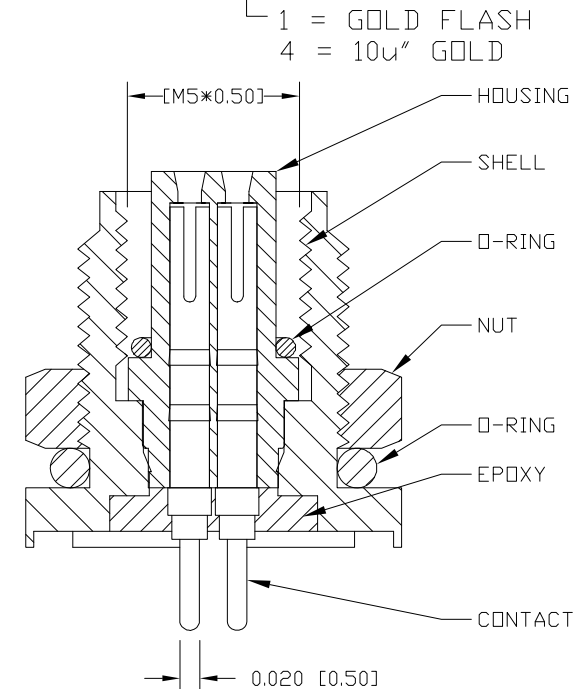
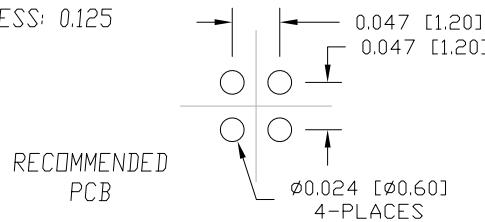
ELECTRICAL
 RATED CURRENT: 1A
 RATED VOLTAGE: 60V
 INSULATION RESISTANCE: 100 MΩhms MIN.
 CONTACT RESISTANCE: 10 mΩhms MAX.
 WATER PROOF: IP67

ENVIRONMENT
 OPERATION TEMPERATURE: -40°C TO +85°C
 MAX. ASSEMBLY TORQUE: 1.5 in lbs

852-004-213R00Y



RECOMMENDED
 PANEL CUTOUT
 MAX PANEL
 THICKNESS: 0.125



1 = GOLD FLASH
 4 = 10µ" GOLD

RoHS COMPLIANT

DO NOT SCALE FROM DRAWING



THESE DRAWINGS AND SPECIFICATIONS ARE THE PROPERTY OF NorComp AND SHALL NOT BE REPRODUCED, COPIED OR USED AS THE BASIS FOR THE MANUFACTURE OR SALE OF APPARATUS WITHOUT WRITTEN PERMISSION.

DRAWN:

M. SIGMON

DATE:

03-04-16

NorComp

SCALE:
 NTS

SHEET OF
 1 1

REV
 3

DWG NO.

852-004-213R00Y