

PRODUCT CHANGE NOTIFICATION COVERSHEET

CTS Part Number: Models 520, 525, 532, 533

Product Description: Temperature Compensated
Crystal Oscillator [TCXO]

Customer: Various

Customer Part Number: Various



Change Notification Only - No Customer Response Required



Customer Authorization Required - Please Confirm Acceptance by E-Mail

Reason for PCN: Change notification for new part number format.

Description for Change: As TCXO IC supplier Asahi Kasei Microdevices [AKM] recovers from a factory fire in Q4 2020, CTS is taking the opportunity to update models to better align with performance parameters that will be available and upgrade several data sheet formats. Listed below are changes affecting identified models.

New Part Number Format

Part number formats for models 520, 525, 532 and 533 will be changed to better align with the CTS convention used today. Reference Product Change Addendum for part number format conversions at end of this PCN.

With the change in part number format, there are some performance options that will no longer be listed as standard. Contact CTS for availability of these options for future applications.

	M520	M525	M532	M533
Supply Voltage	-	+2.7V	+5.0V	+5.0V
Temperature Stability	-	-	-	±0.5ppm ±1.0ppm ±1.5ppm ±4.0ppm ±5.0ppm
Frequency Tuning	-	-	±7ppm - ±16ppm ±10ppm min.	±5ppm min. -
Temperature Range	-10/+60°C	-10/+60°C	-10/+60°C	-10/+60°C
Packaging	1k/reel	1k/reel	-	-

Change Instructions: Distribution of this PCN will be managed by CTS Customer Service; through all customer portals currently on file with CTS, all CTS Distributors and contract manufacturers [CMs].

A list of part numbers follow the addendum showing the old format and the conversion to new format. Please contact CTS for support throughout this change process.

Implementation Date: 11/15/2021

Product Disposition: These part number changes will not affect form-fit-function of device. Current inventories at customers, CMs or CTS Distributors; finished goods stock at factory or product in transit are not affected by this change. Previous part number formats will govern these cases.

CTS Contact: John Metzler
E-Mail: John.Metzler@ctscorp.com
Phone: 630-588-8828

CTS Approvals: CTS internal PCN w/ electronic signatures.

PLATFORMS AND PART NUMBERS AFFECTED

CTS Part Number - Model 520

Part Number Conversion

Old Format Rev. C Data Sheet	New Format Rev. D Data Sheet
520L10HT10M0000	520L10010CTR [H=-10/+60°C, replaced w/ C=-20/+70°C]
520L10IT12M8000	520L12810ITR
520M05EA14M4000	520M14405DAR [E=-30/+60°C, replaced w/ D=-30/+85°C]
520M10IT16M3680	520M16C10ITR
520N05HT16M3680	520N16C05CTR [H=-10/+60°C, replaced w/ C=-20/+70°C]
520L15IA19M2000	520L19215IAR
520L15IT19M2000	520L19215ITR
520M05DT19M2000	520M19205DTR
520R20IA19M2000	520R19220IAR
520L05DT25M0000	520L25005DTR
520L10DT25M0000	520L25010DTR
520L20IT25M0000	520L25020ITR
520L25DT25M0000	520L25025DTR
520L15IA26M0000	520L26015IAR
520L20IT26M0000	520L26020ITR
520L25DT26M0000	520L26025DTR
520M05DT26M0000	520M26005DTR
520M10CA26M0000	520M26010CAR
520M10HT26M0000	520M26010CTR [H=-10/+60°C, replaced w/ C=-20/+70°C]
520M20CT26M0000	520M26020CTR
520R10DA26M0000	520R26010DAR
520R20IA26M0000	520R26020IAR
520R25CT26M0000	520R26025CTR
520L20DT32M0000	520L32020DTR
520L20IT32M0000	520L32020ITR
520M20DT32M0000	520M32020DTR
520L15IA38M4000	520L38415IAR
520L15IT38M4000	520L38415ITR
520R10DA38M4000	520R38410DAR
520R20IA38M4000	520R38420IAR
520L05CA40M0000	520L40005CAR
520L05CT40M0000	520L40005CTR
520L10IT40M0000	520L40010ITR
520L15IA40M0000	520L40015IAR
520L15IT40M0000	520L40015ITR
520L20DT40M0000	520L40020DTR
520L25DT40M0000	520L40025DTR
520M05CA40M0000	520M40005CAR
520M05DA40M0000	520M40005DAR
520M05IA40M0000	520M40005IAR
520M05IT40M0000	520M40005ITR
520M10DT40M0000	520M40010DTR
520M10HT40M0000	520M40010CTR [H=-10/+60°C, replaced w/ C=-20/+70°C]
520M10IA40M0000	520M40010IAR
520M20DA40M0000	520M40020DAR
520R10DA40M0000	520R40010DAR
520R15IT40M0000	520R40015ITR
520R20IA40M0000	520R40020IAR
520T20DT40M0000	520T40020DTR
520T25DA40M0000	520T40025DAR
520L25DT50M0000	520L50025DTR
520T10DA50M0000	520T50010DAR
520T10IT50M0000	520T50010ITR
520T20IT50M0000	520T50020ITR

CTS Part Number - Model 520

Part Number Conversion

Old Format Rev. C Data Sheet	New Format Rev. D Data Sheet
520T25IT50M0000	520T50025ITR

PLATFORMS AND PART NUMBERS AFFECTED

CTS Part Number - Model 525

CTS Part Number - Model 525

Part Number Conversion		Part Number Conversion	
Old Format	New Format	Old Format	New Format
Rev. B Data Sheet	Rev. C Data Sheet	Rev. B Data Sheet	Rev. C Data Sheet
525L10HA10M0000	525L10010CAR [H=-10/+60°C, replaced w/ C=-20/+70°C]	525L10DT40M0000	525L40010DTR
525L25CT10M0000	525L10025CTR	525L10IA40M0000	525L40010IAR
525L25DA10M2500	525L10G25DAR	525L15DA40M0000	525L40015DAR
525L25DT12M2880	525L12225DTR	525L20DA40M0000	525L40020DAR
525L10DT12M8000	525L12810DTR	525L20IA40M0000	525L40020IAR
525L10IT12M8000	525L12810ITR	525L05IA40M0000	525L40005IAR
525L25DT12M8000	525L12825DTR		
525L25DS13M0000	525L13025DAR [S=±7ppm-±16ppm AFC, replaced w/ A=±5ppm min.]		
525L25IT14M4000	525L14425ITR		
525M25IT14M4000	525M14425ITR	525L25DT40M0000	525L40025DTR
525R05EA14M4000	525R14405DAR [E=-30/+60°C, replaced w/ D=-30/+85°C]	525N10IA40M0000	525N40010IAR
525T25DT14M4000	525T14425DTR	525R15CT40M0000	525R40015CTR
525N25DT14M7456	525N14725DTR	525R15IT40M0000	525R40015ITR
525L25DT14M8780	525L14G25DTR	525L10CA49M1520	525L49110CAR
525L25DT15M6256	525L15K25DTR		
525M10IT16M0000	525M16010ITR		
525M15DT16M3676	525M16E15DTR		
525M20DT16M3676	525M16E20DTR		
525L05DT16M3840	525L16305DTR		
525M05IA16M3840	525M16305IAR		
525M05IT16M3840	525M16305ITR		
525M10IT16M3840	525M16310ITR		
525M25IA16M3840	525M16325IAR		
525M25IT16M3840	525M16325ITR		
525L25DT16M5216	525L16X25DTR		
525L10IA19M2000	525L19210IAR		
525L20IA19M2000	525L19220IAR		
525L25DS19M2000	525L19225DAR [S=±7ppm-±16ppm AFC, replaced w/ A=±5ppm min.]		
525L15DT19M4400	525L19415DTR		
525L15IA20M0000	525L20015IAR		
525L25CT20M0000	525L20025CTR		
525L25DS20M0000	525L20025DAR [S=±7ppm-±16ppm AFC, replaced w/ A=±5ppm min.]		
525L25DT20M0000	252L20025DTR		
525L25DA21M2500	525L21225DAR		
525L10CA24M5760	525L24C10CAR		
525L25DA24M5760	525L24C25DAR		
525L20IT25M0000	252L25020ITR		
525L25DT25M0000	525L25025DTR		
525L25IA25M0000	525L25025IAR		
525L25IT25M0000	525L25025ITR		
525M05CT25M0000	525M25005CTR		
525M05DT25M0000	525M25005DTR		
525L25DS26M0000	525L26025DAR [S=±7ppm-±16ppm AFC, replaced w/ A=±5ppm min.]		
525L25IT26M0000	525L26025ITR		
525R05IT26M0000	525R26005ITR		
525T05DT26M0000	525T26005DTR		
525L25DT29M7560	525L29725DTR		
525L05DT30M0000	525L30005DTR		
525L25DT30M0000	525L30025DTR		
525M20DT30M0000	525M30020DTR		
525L10IA30M7200	525L30710IAR		
525L25DS30M7200	525L30725DAR [S=±7ppm-±16ppm AFC, replaced w/ A=±5ppm min.]		
525L25DT30M7200	525L30725DTR		
525L15IT30M9200	525L30915ITR		
525L15IT31M0000	525L31015ITR		
525L15DT32M0000	525L32015DTR		
525L20IA32M0000	525L32020IAR		
525L20IT32M0000	525L32020ITR		
525L25IT32M0000	525L32025ITR		
525R10DT32M0000	525R32010DTR		
525R25DT32M0000	525R32025DTR		
525M10IT38M4000	525M38410ITR		
525L05CT40M0000	525L40005CTR		
525L05DA40M0000	525L40005DAR		
525L05DT40M0000	525L40005DTR		
525L25DS40M0000	525L40025DAR [S=±7ppm-±16ppm AFC, replaced w/ A=±5ppm min.]		

PLATFORMS AND PART NUMBERS AFFECTED

CTS Part Number - Model 532

CTS Part Number - Model 532

Part Number Conversion		Part Number Conversion	
Old Format	New Format	Old Format	New Format
Rev. E Data Sheet	Rev. F Data Sheet	Rev. E Data Sheet	Rev. F Data Sheet
532L25DA16M3840	532L16325DAT		
532R25DT16M3840	532R16325DTT		
532L10DS19M2000	532L19210DAT	[S=±7ppm-±16ppm AFC, replaced w/ A=±5ppm min.]	
532L15CT19M2000	532L19215CTT		
532L20IA19M2000	532L19220IAT		
532L25DT19M2000	532L19225DTT		
532L25IC19M2000	532L19225IAT	[C=±10ppm min. AFC, replaced w/ A=±5ppm min.]	Check sales activity.
532L25IT19M2000	532L19225ITT		
532T05DA19M2000	532T19205DAT		
532T25DS19M2000	532T19225DAT	[S=±7ppm-±16ppm AFC, replaced w/ A=±5ppm min.]	
532L25DS19M4400	532L19425DAT	[S=±7ppm-±16ppm AFC, replaced w/ A=±5ppm min.]	
532L25DT19M4400	532L19425DTT		
532T25DS19M4400	532T19425DAT	[S=±7ppm-±16ppm AFC, replaced w/ A=±5ppm min.]	
532L05DT20M0000	532L20005DTT		
532L10DS20M0000	532L20010DAT	[S=±7ppm-±16ppm AFC, replaced w/ A=±5ppm min.]	
532L10IA20M0000	532L20010IAT		
532L20IT20M0000	532L20020ITT		
532L25DS20M0000	532L20025DAT	[S=±7ppm-±16ppm AFC, replaced w/ A=±5ppm min.]	Check sales activity.
532L25DT20M0000	532L20025DTT		
532L25DA20M9500	532L20925DAT		
532L25DA21M2500	532L21225DAT		
532L25DT24M0000	532L24025DTT		
532L25DT25M0000	532L25025DTT		
532L25DS26M0000	532L26025DAT	[S=±7ppm-±16ppm AFC, replaced w/ A=±5ppm min.]	
532L25DT26M0000	532L26025DTT		
532L15IA27M0000	532L27015IAT		
532L15IT27M0000	532L27015ITT		
532L25DA27M0000	532L27025DAT		
532L25DT27M0000	532L27025DTT		
532L25IT27M0000	532L27025ITT		
532L25DA38M3950	532L38325DAT		
532L05DA40M0000	532L40005DAT		
532L05IT40M0000	532L40005ITT		
532L20IA40M0000	532L40020IAT		
532L25DT40M0000	532L40025DTT		
532L25DS10M0000	532L10025DAT	[S=±7ppm-±16ppm AFC, replaced w/ A=±5ppm min.]	
532L25DT10M0000	532L10025DTT		
532L10IT10M2300	532L10J10ITT		
532L25DA10M2500	532L10G25DAT		
532L25CA12M2880	532L12225CAT		
532L25DA12M2880	532L12225DAT		
532L25DT12M2880	532L12225DTT		
532L10DT12M8000	532L12810DTT		
532L10IT12M8000	532L12810ITT		
532L25DT12M8000	532L12825DTT		
532L25DS13M0000	532L13025DAT	[S=±7ppm-±16ppm AFC, replaced w/ A=±5ppm min.]	
532L25DT13M0000	532L13025DTT		
532L25IT13M0000	532L13025DTT		
532R25DS13M0000	532R13025DAT	[S=±7ppm-±16ppm AFC, replaced w/ A=±5ppm min.]	
532R25DT13M0000	532R13025DTT		
532R25DT13M5000	532R13525DTT		
532L25IC14M4000	532L14425ICT		
532T20IT14M7456	532T14720ITT		
532R25DT16M0000	532R16025DTT		
532L25IT16M3676	532L16E25ITT		
532L25CT16M3690	532L16D25CTT		



PCN # ECP-3200041

CTS Part Number - Model 533

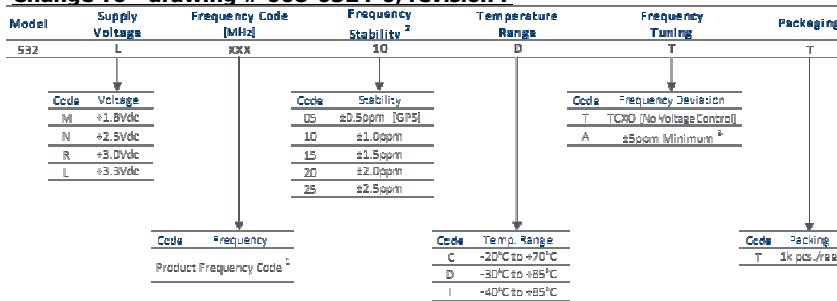
CTS Part Number - Model 533

Part Number Conversion		Part Number Conversion	
Old Format	New Format	Old Format	New Format
Rev. C Data Sheet	Rev. D Data Sheet	Rev. C Data Sheet	Rev. D Data Sheet
533L20CT10M0000	533L10020CTT		
533L25DT12M2880	533L12225DTT		
533L25IT16M0000	533L16025ITT		
533L25CT16M3840	533L16325CTT		
533L25CT19M2000	533L19225CTT		
533L25DT19M2000	533L19225DTT		
533L20CT20M0000	533L20020CTT		
533L25CT20M0000	533L20025CTT		
533L25DT20M0000	533L20025DTT		
533L25IT24M0000	533L24025ITT		
533L25CT25M0000	533L25025CTT		
533L25IT25M0000	533L25025ITT		
533L50IT25M0000	533L25025ITT		
533L50DT26M0000	533L26025DTT		
533L25CT27M0000	533L27025CTT		
533L25DT27M0000	533L27025DTT		
533L25IT27M0000	533L27025ITT		
533L50HT27M0000	533L27025CTT [H=-10/+60°C, replaced w/ C=-20/+70°C]		
533L25IT30M7200	533L30725ITT		
533L25DT40M0000	533L40025DTT		
533L20IT48M0000	533L48020ITT		
533L20IT50M0000	533L50020ITT		
533L25DT50M0000	533L50025DTT		
533L25IT50M0000	533L50025ITT		

PRODUCT CHANGE ADDENDUM - PART NUMBER FORMATS

Model 532

Change To - drawing # 008-0324-0, revision F

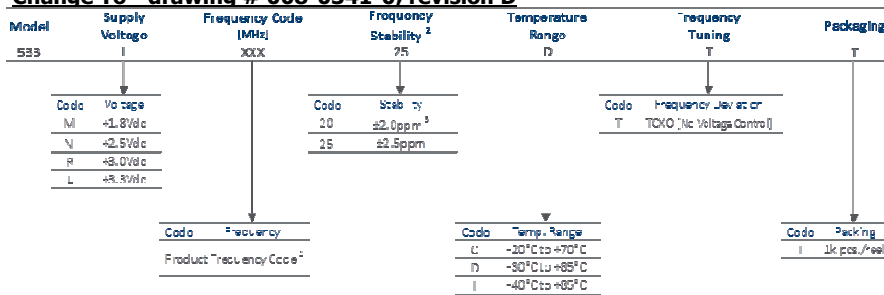


Not all performance combinations and frequencies may be available.
Contact your local CTS Representative or CTS Customer Service for availability.

This product is specified for use only in standard commercial applications. Supplier disclaims all express and implied warranties and liability in connection with any use of this product in any non-commercial applications or in any application that may expose the product to conditions that are outside the tolerances provided in its specification.

Model 533

Change To - drawing # 008-0341-0, revision D

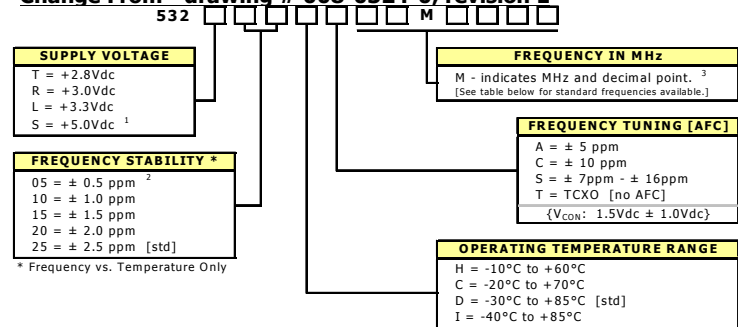


Not all performance combinations and frequencies may be available.
Contact your local CTS Representative or CTS Customer Service for availability.

This product is specified for use only in standard commercial applications. Supplier disclaims all express and implied warranties and liability in connection with any use of this product in any non-commercial applications or in any application that may expose the product to conditions that are outside the tolerances provided in its specification.

Model 532

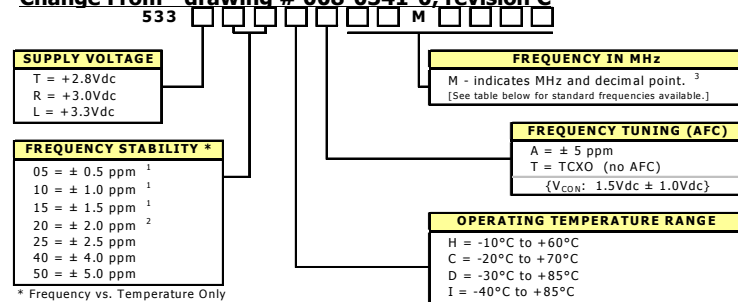
Change From - drawing # 008-0324-0, revision E



Not all performance combinations and frequencies may be available.
Contact your local CTS Representative or CTS Customer Service for availability.

Model 533

Change From - drawing # 008-0341-0, revision C



Not all performance combinations and frequencies may be available.
Contact your local CTS Representative or CTS Customer Service for availability.