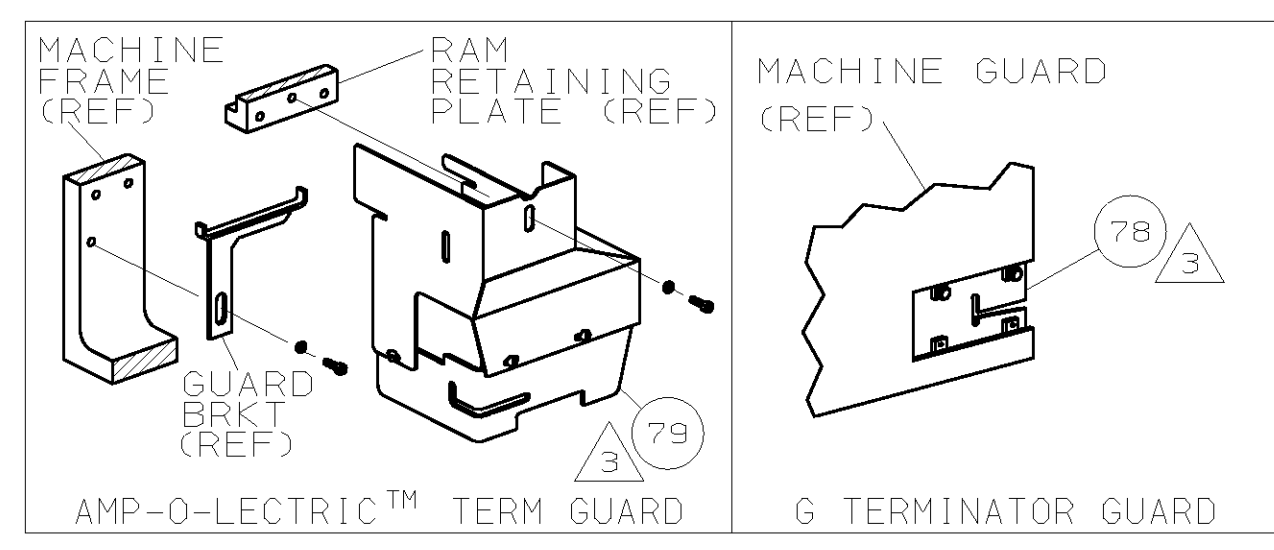


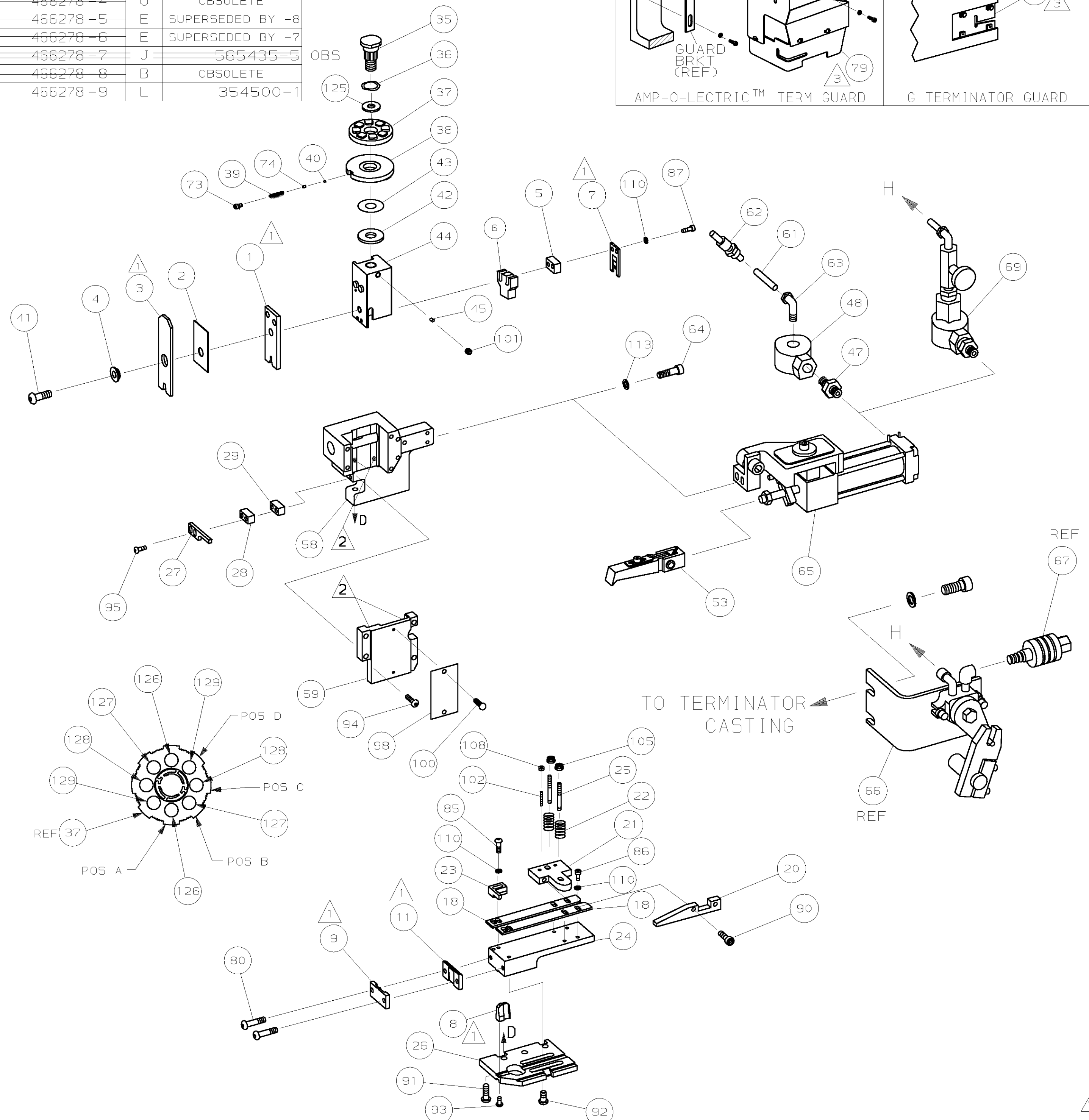
PART NUMBER	REV	FIRST USED
466278-1	A	OBSOLETE
466278-2	A	OBSOLETE
466278-3	O	OBSOLETE
466278-4	O	OBSOLETE
466278-5	E	SUPERSEDED BY -8
466278-6	E	SUPERSEDED BY -7
466278-7	J	565435-5
466278-8	B	OBSOLETE
466278-9	L	354500-1



TERMINAL NAME: RECEPTACLE, CLUSTER PIN Ø.125				
CRIMPING DATA				
PAD LTR	CRIMP HEIGHT	WIRE SIZE		
A	.079 ±.002 [2.01 ±0.05mm]	16		
B	.073 ±.002 [1.85 ±0.05mm]	18		
C	NOT	USED		
D	NOT	USED		
CRIMP	SIZE	TYPE	RANGE	
WIRE	.110 [2.79mm]	F	18-16	
INSUL	.155 [3.94mm]	F	Ø .130 MAX	

QTY	REV	U/M	DWG SIZE	PART NO	DESCRIPTION	ITEM NO
7				BENCH MODEL K	AIRFEED	OBSOLETE
-9				LEADMAKER AND BENCH MODEL G	AIRFEED	

THIS DRAWING IS A CONTROLLED DOCUMENT.



QTY	REV	U/M	DWG SIZE	PART NO	DESCRIPTION	ITEM NO
-	-	-	-	-	-	129
-	-	-	-	-	-	128
2	2	-	C	7-354778-5	PIN, WIRE DISC (.2870)B	127
2	2	-	C	6-354778-3	PIN, WIRE DISC (.2810)A	126
1		-	A	986950-1	WASHER, FLAT PRECISION	125
						124
						123
						122
						121
						120
						119
						118
						117
						116
						115
						114
2	2	-	A	21024-5	WASHER, LOCK (#10) AIR ASSY	113
						112
						111
10	7	-	A	21024-4	WASHER, LOCK (NO.8) SHEAR BL	110
						109
2	2	-	A	21018-4	NUT, HEX (4-40) DRAG	108
						107
						106
2	2	-	A	21022-2	NUT, HEX 5L (8-32) DRAG STUD	105
						104
						103
2	2	-	A	2-21006-6	SCR, SKT SET (4-40x.62) DRAG	102
1		-	A	21009-2	SCR, SKT SET (1/4-20x.25) RAM	101
2	2	-	A	21017-2	SCR, DRIVE (#2x.19) ID PLATE	100
						99
1		-	B	461264-1	PLATE, IDENTIFICATION	98
						97
						96
2	2	-	A	2-21000-9	SCR, SHC (8-32x.75) STRIPPER	95
4	4	-	A	2-21002-9	SCR, BHC (10-32x.75) CAP	94
1		-	A	22733-8	SCR, BHC (8-32x.38 LW) ANVIL	93
4	4	-	A	3-21002-3	SCR, BHC (1/4-20x.50) ST 6D PL	92
3	3	-	A	2-22733-8	SCR, BHC (1/4-20x.62) H5G	91
2	2	-	A	1-21000-3	SCR, SHC (4-40x.25)	90
						89
						88
2	2	-	A	2-21000-7	SCR, SHC (8-32x.50) SLUG BLADE	87
3	3	-	A	2-21000-6	SCR, SHC (8-32x.38) STRIP GUIDE	86
2	2	-	A	2-21000-8	SCR, BHC (8-32x.63) R STRIP GUIDE	85
						84
						83
						82
						81
2	2	-	A	3-21002-0	SCR, BHC (10-32x.88) SHEAR PL	80
-	-	-	-	-	-	79
REF		-	A	679532-1	INSERT, GUARD	78
						77
						76
						75
1		-	A	690603-1	SPRING, ASSIST	74
1		-	A	23030-1	SCR, SKT CAP (6-32x.25) CP DSC	73
						72
						71

QTY	REV	U/M	DWG SIZE	PART NO	DESCRIPTION	ITEM NO
60						60
1		-	C	454220-1	CAP, RAM	59
1		-	D	453736-1	HOUSING	58
						57
						56
						55
						54
1		-	B	460680-2	FEED FINGER ASSY	53
						52
						51
						50
						49
1		-	A	22374-7	VALVE, QUICK EXHAUST	48
1		-	A	22304-1	NIPPLE, HEX 1/8 NPT	47
						46
1		-	A	690191-1	PLUG, NYLON	45
1		-	C	455674-1	RAM	44
1		-	A	690125-1	WASHER, LAMINATED	43
1		-	A	690124-1	WASHER, RAM	42
1		-	A	7-21002-9	BOLT, CRIMPER (5/16-24x1.00)	41
1		-	A	23241-6	BALL, STEEL	40
1		-	A	690170-1	SPRING, COMPRESSION	39
1		-	C	690142-1	DISC, INSULATION	38
1		-	D	354777-1	WIRE DISC, PLASTIC	37
1		-	A	22480-5	WASHER, SPRING	36
1		-	B	690212-1	POST, RAM	35
						34
						33
						32
						31
						30
1		-	B	2-690451-5	SPACER, STRIPPER	29
1		-	B	1-690451-2	SPACER, STRIPPER	28
1		-	A	240639-4	STRIPPER	27
1		-	D	455676-1	PLATE, BASE	26
2	2	-	A	22354-8	DRAG, STUD	25
1		-	B	455678-1	PLATE, STRIP GUIDE	24
1		-	C	240825-3	PLATE, STRIP HOLD DOWN	23
2	2	-	A	4-22281-1	SPRING, DRAG	22
1		-	A	464451-1	DRAG, STOCK	21
1		-	A	464452-4	DRAG, STOCK	20
						19
2	2	-	C	454204-4	GUIDE, STRIP (FRONT)	18
						17
						16
						15
						14
						13
						12
1		-	B	240644-1	PLATE, REAR SHEAR	11
						10
1		-	B	690482-4	PLATE, FRONT SHEAR	9
1		-	D	9-240655-7	ANVIL	8
1		-	B	690474-4	BLADE, SLUG	7
1		-	D	217573-1	HOLD DOWN, TERMINAL	6
1		-	C	4-240641-3	SPACER, SLUG BLADE	5
1		-	B	238009-1	SPACER, BLOCK CRIMPER	4
1		-	C	1-456134-2	CRIMPER, INSULATION	3
1		-	B	1-455888-9	SPACER, CRIMPER	2
1		-	C	1-456422-0	CRIMPER, WIRE	1

- 1 RECOMMENDED SPARE PARTS.
- 2 GREASE LIGHTLY.
- 3 GUARD MUST BE IN PLACE WHEN OPERATING APPLICATOR IN A BENCH MACHINE.
- 4 SEE DRAWING FOR COMPONENTS
- 5. DO NOT USE LUBRICANT ON TERMINAL STRIP.
- 6 FEED ON RECEPTACLE.
- 7 ITEM 78 REQUIRED FOR G TERMINATOR ONLY.

QTY	REV	U/M	DWG SIZE	PART NO	DESCRIPTION	ITEM NO
-9	-7	U/M	DWG SIZE	PART NO	DESCRIPTION	ITEM NO

QTY	REV	U/M	DWG SIZE	PART NO	DESCRIPTION	ITEM NO
-9	-7	U/M	DWG SIZE	PART NO	DESCRIPTION	ITEM NO

THIS DRAWING IS UNRELEASABLE - RELEASE FOR PUBLICATION - SEPT 15, 1999 - BY AMP INCORPORATED. ALL RIGHTS RESERVED. © COPYRIGHT 1999

LOC A
DIST 66

466278

B

A