

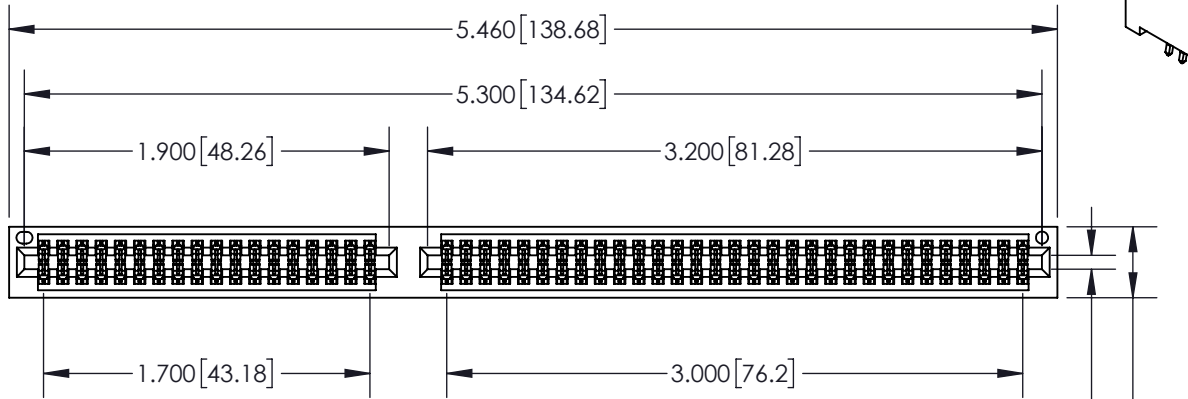
**Contact Dimensions:
556-Extender Board Bend (Code 520 Contacts)**

THIS IS A C.A.D. GENERATED DRAWING
DO NOT MAKE MANUAL REVISIONS TO MASTER.



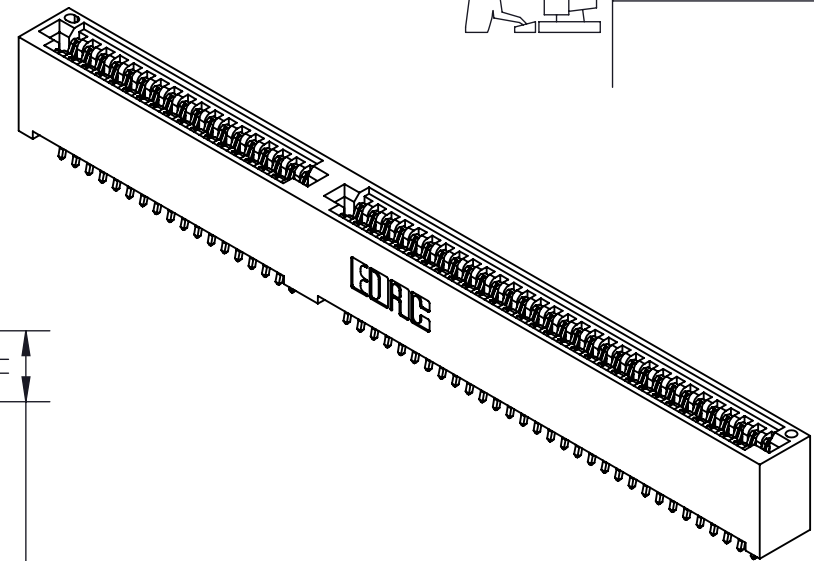
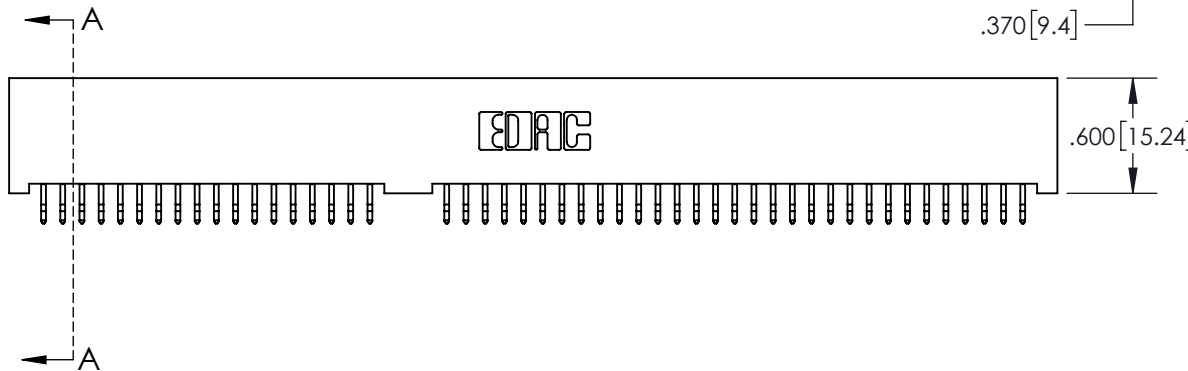
ISSUE NUMBER

ORIGINAL ①

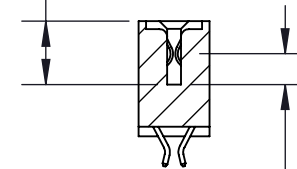


CARD SLOT ACCEPTS
.054" [1.37] TO .070" [1.78]
THICK PCB

.370 [9.4]



.330 [8.38]
CARD SLOT
DEPTH



.160 [4.06]
POINT OF
CONTACT

SECTION A-A

- INSULATOR MATERIAL: THERMOPLASTIC PE BLACK, UL 94V-0
- CONTACT MATERIAL: COPPER ALLOY
- CONTACT PLATING: GOLD ON THE MATING AREA, TIN PLATING ON THE CONTACT TAILS, NICKEL UNDERPLATE

**395-AT SERIES CARD EDGE CONNECTOR
PART NUMBER: 395-098-556-300**



YOUR CONNECTION TO QUALITY & SERVICE

EDAC INC
TORONTO, ONTARIO
CANADA

THESE DRAWINGS AND SPECIFICATIONS
ARE THE PROPERTY OF EDAC INC. AND
SHALL NOT BE REPRODUCED, OR COPIED
OR USED AS THE BASIS FOR THE
MANUFACTURE OR SALE OF APPARATUS
WITHOUT WRITTEN PERMISSION.

| | |
|--------------------------|-------------------|
| ACAD REFERENCE NO. | 395-AT |
| DRAWN: R.STA.MONICA | DATE: MAY.16/2017 |
| CHECKED: | DATE: |
| SCALE: 1:1 | SHEET 1 OF 1 |
| DRAWING NUMBER 395-AT | ISSUE 1 |