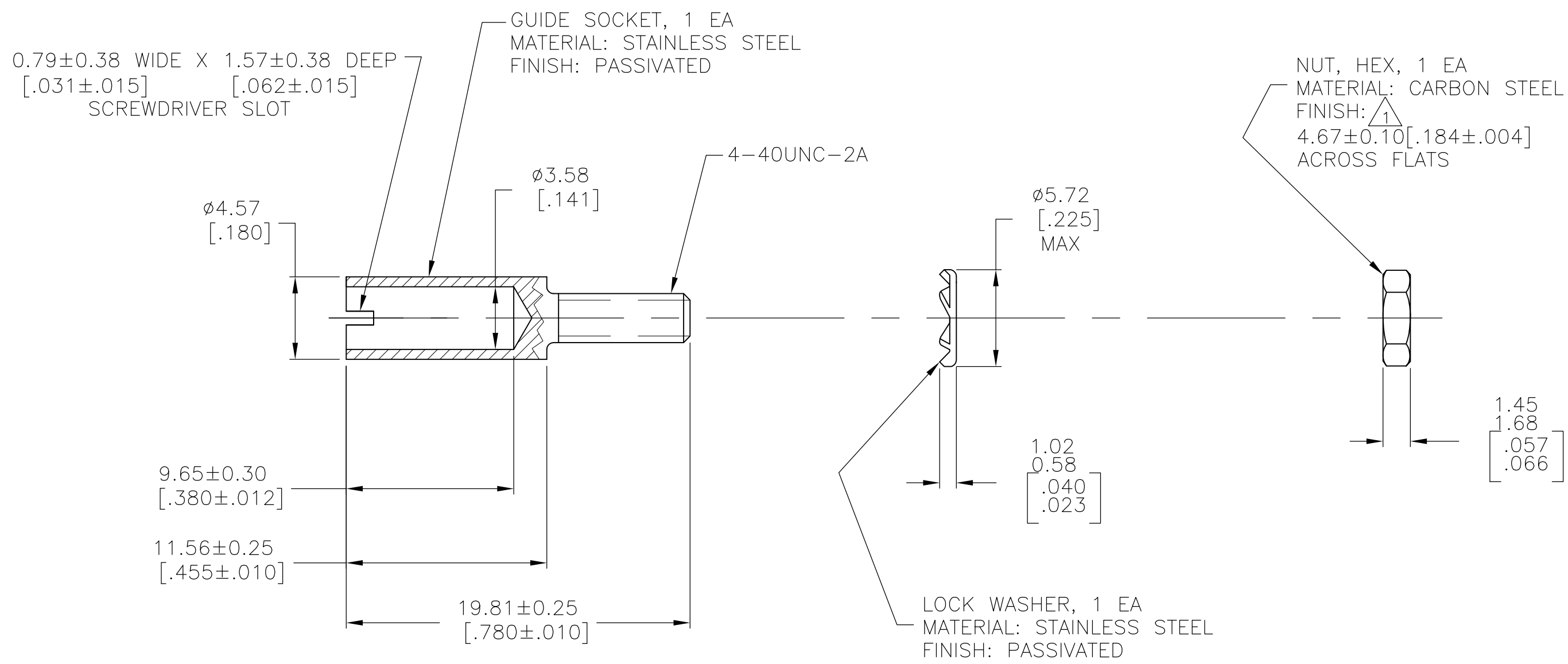


THIS DRAWING IS UNPUBLISHED. RELEASED FOR PUBLICATION
 © COPYRIGHT - By - ALL RIGHTS RESERVED.

REVISIONS					
P	LTR	DESCRIPTION	DATE	DWN	APVD
	Y1	REVISED PER ECO-16-004000	08OCT2016	NK	MZ



³ OBSOLETE	1-200390-0
	200390-9
SUPERSEDED BY 200390-9	200390-2
	PART NUMBER

- ¹ ZINC PLATE.
- ³ SPECIAL PACKAGING - ONE UNASSEMBLED UNIT PER BAG

THIS DRAWING IS A CONTROLLED DOCUMENT.		DWN W.G.LENKER 1-20-95	STE TE Connectivity		
		CHK R.STONE 1-24-95			
DIMENSIONS: mm [INCHES]	TOLERANCES UNLESS OTHERWISE SPECIFIED:	APVD -	NAME		
	0 PLC ± -	PRODUCT SPEC -	CENTER GUIDE SOCKET KIT, UNASSEMBLED, M SERIES		
	1 PLC ± -	APPLICATION SPEC -	SIZE	CAGE CODE	DRAWING NO
	2 PLC ± 0.13 [.005]	WEIGHT	A3	00779	C-200390
	3 PLC ± -		RESTRICTED TO		
	4 PLC ± -		-		
	ANGLES ± -		SCALE	SHEET	REV
MATERIAL SEE CALLOUT	FINISH SEE CALLOUT		4:1	1 OF 1	Y1
		CUSTOMER DRAWING			