

# HC-B 16-SMQ-67/M1M25 - Housing

1586895

<https://www.phoenixcontact.com/us/products/1586895>

Please be informed that the data shown in this PDF document is generated from our Online Catalog. Please find the complete data in the user documentation. Our General Terms of Use for Downloads are valid.

Box mounting base, with double locking latch, height 67 mm, with screw connection, 1x M25



## Commercial Data

Item number	1586895
Packing unit	10 pc
Minimum order quantity	1 pc
Product Key	BF7AAC
Catalog Page	Page 580 (PC-2011)
GTIN	4046356426985
Weight per Piece (including packing)	404.92 g
Weight per Piece (excluding packing)	382 g
Country of origin	DE

# HC-B 16-SMQ-67/M1M25 - Housing



1586895

<https://www.phoenixcontact.com/us/products/1586895>

## Technical Data

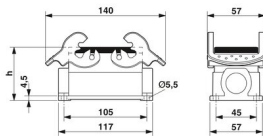
### Notes

General	For contact inserts HC-B16, BB32, BBB40, D40, DD72, HS6, M, K
---------	---

### Product properties

Type	B16
Product type	Housing with locking latch
Application	Standard
No. of cable outlets	1
Type of the screw connection	1x M25
Housing type	Box mounting bases
Locking type	with double locking latch
Shielded	no
Cable outlet	lateral
Pg screw connection	with

### Dimensions

Dimensional drawing	
Width	57 mm
Height	67 mm
Length	117 mm
Wrench size, union nut	25 mm

### Material specifications

Color	gray aluminum
Material Screw connection	Nickel-plated brass
Seal material Cable seal	NBR
Housing surface material	Powder-coated, gray
Locking latch material	Stainless steel, handle: PA
Housing material	die-cast aluminum

### Mechanical properties

#### Mechanical data

Type of the screw connection	1x M25
Locking type	Latch

### Environmental and real-life conditions

# HC-B 16-SMQ-67/M1M25 - Housing



1586895

<https://www.phoenixcontact.com/us/products/1586895>

## Ambient conditions

Degree of protection	IP65
Ambient temperature (operation)	-40 °C ... 125 °C

# HC-B 16-SMQ-67/M1M25 - Housing

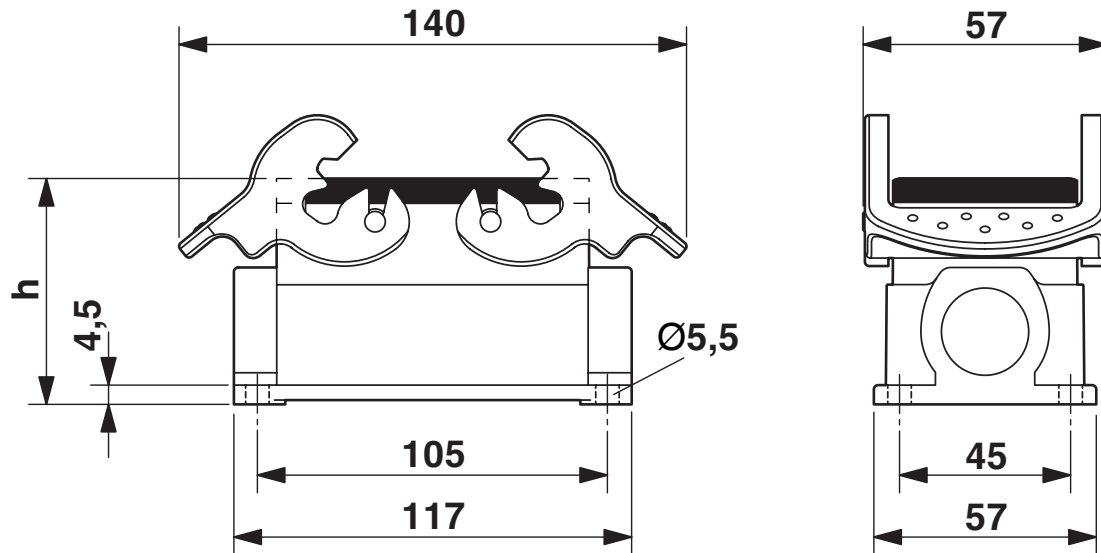
1586895

<https://www.phoenixcontact.com/us/products/1586895>



## Drawings

Dimensional drawing



Dimensional drawing

# HC-B 16-SMQ-67/M1M25 - Housing



1586895

<https://www.phoenixcontact.com/us/products/1586895>

## Classifications

### ECLASS

ECLASS-11.0

27440202

### ETIM

ETIM 7.0

EC000437

### UNSPSC

UNSPSC 21.0

31261501

# HC-B 16-SMQ-67/M1M25 - Housing



1586895

<https://www.phoenixcontact.com/us/products/1586895>

## Environmental Product Compliance

China RoHS	Environmentally friendly use period: unlimited = EFUP-e
	No hazardous substances above threshold values

# HC-B 16-SMQ-67/M1M25 - Housing

1586895

<https://www.phoenixcontact.com/us/products/1586895>



## Accessories

### G-INS-M25-M68N-NNES-S - Cable gland

1411165

<https://www.phoenixcontact.com/us/products/1411165>



Cable gland, material for screw connection: Nickel-plated brass, external cable diameter 11 mm ... 17 mm, shielding: no, connecting thread: M25 x 1.5, color: silver, with O-ring

---

### HC-M-KV-M25(14-21) - Cable gland

1646007

<https://www.phoenixcontact.com/us/products/1646007>



Metal screw connection up to 5 bar, thread length: 7 mm, cable diameter: 14 - 21 mm, WAF 34, screw connection: M25

# HC-B 16-SMQ-67/M1M25 - Housing

1586895

<https://www.phoenixcontact.com/us/products/1586895>



## HC-M-KV-M25(1ASI) - Cable gland

1584020

<https://www.phoenixcontact.com/us/products/1584020>



Metal screw connection for an AS-Interface flat-ribbon conductor, thread type M25

---

## HC-M-KV-M25(1X10/1X11) - Cable gland

1580228

<https://www.phoenixcontact.com/us/products/1580228>



Special cable screw connection M25, brass nickel-plated, grommet with 10 mm and 11 mm holes

---

Phoenix Contact 2023 © - all rights reserved  
<https://www.phoenixcontact.com>

Phoenix Contact USA  
586 Fulling Mill Road  
Middletown, PA 17057, United States  
(+717) 944-1300  
[info@phoenixcon.com](mailto:info@phoenixcon.com)