

Y distributor - SAC-3P-Y/2XFS B PE SCO - 1523968


Please be informed that the data shown in this PDF Document is generated from our Online Catalog. Please find the complete data in the user's documentation. Our General Terms of Use for Downloads are valid (<http://phoenixcontact.com/download>)



Y distributor, 4-position, Plug straight M12 SPEEDCON, A-coded, on Socket straight M12 SPEEDCON, A-coded, PIN 2+4 bridged and Socket straight M12 SPEEDCON, A-coded, PIN 2+4 bridged, Thread M12 socket not rotatable



Key Commercial Data

Packing unit	5 pc
GTIN	 4 046356 072960
GTIN	4046356072960

Technical data

Dimensions

Center distance	18 mm
-----------------	-------

Ambient conditions

Ambient temperature (operation)	-25 °C ... 90 °C (Plug / socket)
Degree of protection	IP65/IP67

General

Note	with center distance of 18 mm, suitable for molded connectors and unshielded connectors that can be assembled with QUICKON IDC terminal block connection technology and a connection range of 0.14 mm ² to 0.34 mm ²
Rated current at 40°C	4 A
Rated voltage	48 V AC 60 V DC
Number of positions	4
Insulation resistance	≥ 100 MΩ
Coding	A - standard
Standards/regulations	M12 connector IEC 61076-2-101
Status display	No
Overvoltage category	II

Y distributor - SAC-3P-Y/2XFS B PE SCO - 1523968

Technical data

General

Degree of pollution	3
Insertion/withdrawal cycles	≥ 100
Torque	0.4 Nm (M12 connector)

Material

Flammability rating according to UL 94	HB
Contact material	CuZn
Contact surface material	Ni/Au
Contact carrier material	TPU GF
Material of grip body	TPU, hardly inflammable, self-extinguishing
Material, knurls	Zinc die-cast, nickel-plated
Sealing material	NBR

Standards and Regulations

Standard designation	M12 connector
Standards/regulations	IEC 61076-2-101
Flammability rating according to UL 94	HB

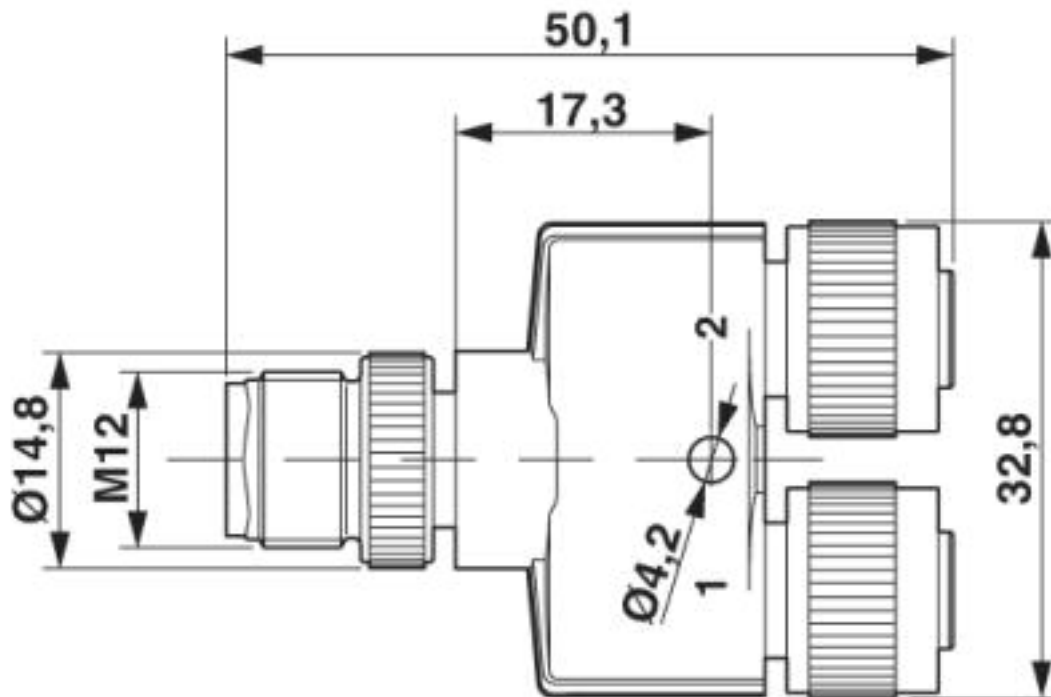
Environmental Product Compliance

	Lead 7439-92-1
China RoHS	Environmentally Friendly Use Period = 50
	For details about hazardous substances go to tab "Downloads", Category "Manufacturer's declaration"

Drawings

Y distributor - SAC-3P-Y/2XFS B PE SCO - 1523968

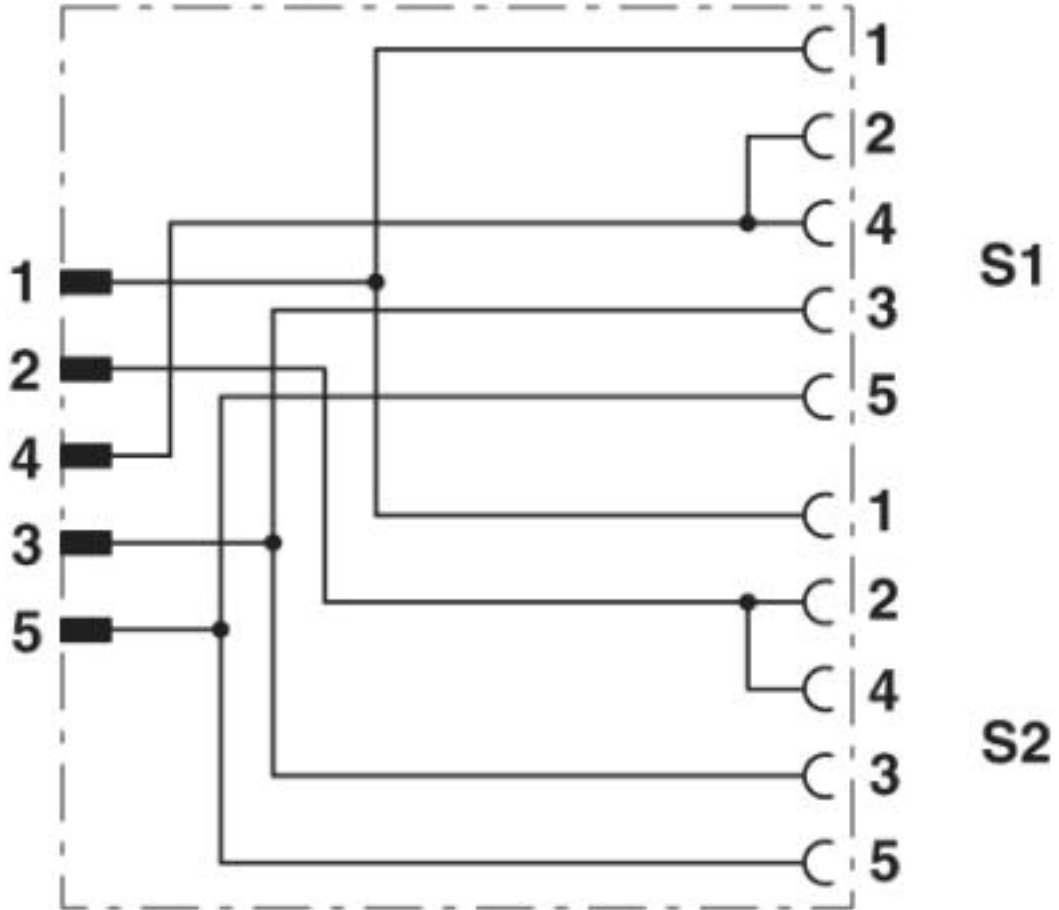
Dimensional drawing



Plug M12 x 1, Y distributor

Y distributor - SAC-3P-Y/2XFS B PE SCO - 1523968

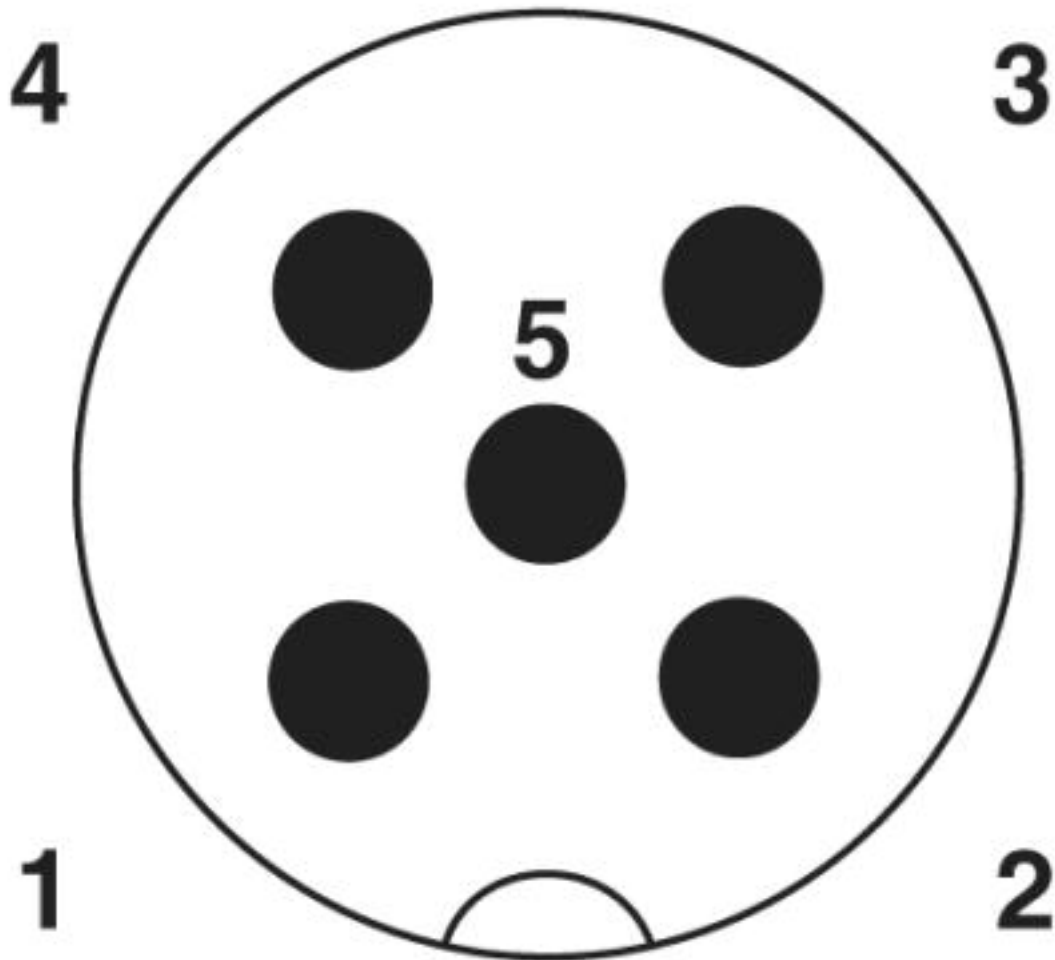
Circuit diagram



Contact assignment of the M12 Y distributor

Y distributor - SAC-3P-Y/2XFS B PE SCO - 1523968

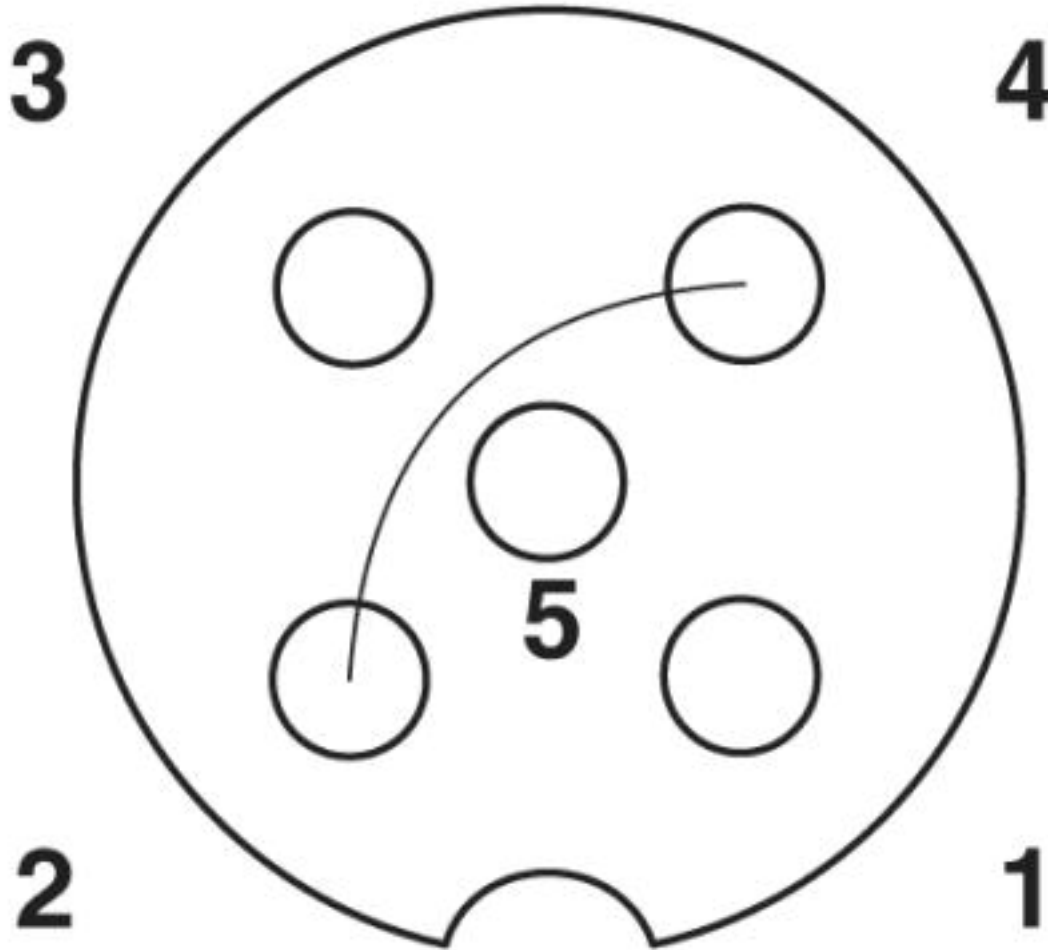
Schematic diagram



Pin assignment M12 male connector, 5-pos., A-coded, male side

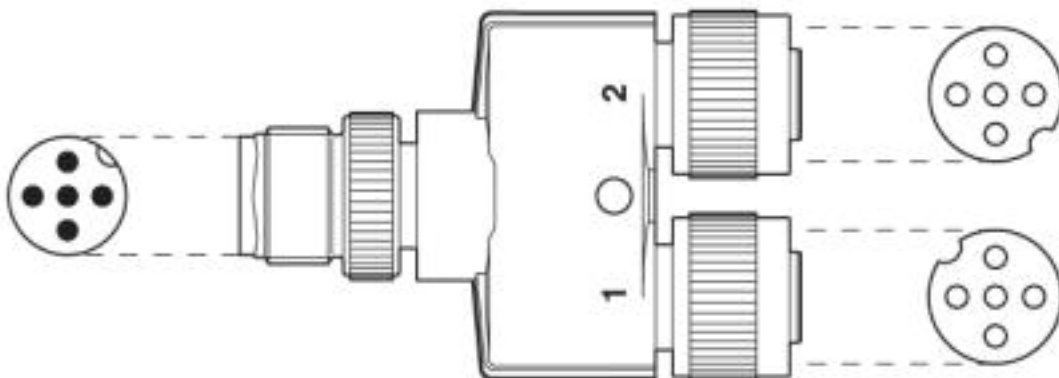
Y distributor - SAC-3P-Y/2XFS B PE SCO - 1523968

Schematic diagram



Pin assignment M12 socket, 5-pos., PIN 2+4 bridged, A-coded, socket side view

Schematic diagram



Layout of connector pin assignments

Y distributor - SAC-3P-Y/2XFS B PE SCO - 1523968

Approvals

Approvals

Approvals

UL Listed / cUL Listed / EAC / cULus Listed

Ex Approvals

Approval details

UL Listed		http://database.ul.com/cgi-bin/XYV/template/LISEXT/1FRAME/index.htm	E221474
Nominal voltage UN		30 V	
Nominal current IN		4 A	

cUL Listed		http://database.ul.com/cgi-bin/XYV/template/LISEXT/1FRAME/index.htm	E221474
Nominal voltage UN		30 V	
Nominal current IN		4 A	

EAC		RU C- DE.AI30.B.01102
-----	--	--------------------------

cULus Listed	
--------------	--

Phoenix Contact 2019 © - all rights reserved
<http://www.phoenixcontact.com>

PHOENIX CONTACT GmbH & Co. KG
Flachsmarktstr. 8
32825 Blomberg
Germany
Tel. +49 5235 300
Fax +49 5235 3 41200
<http://www.phoenixcontact.com>