

PLEASE CHECK WWW.MOLEX.COM FOR LATEST PART INFORMATION

Part Number: [1200740241](#)
Status: **Active**
Overview: Brad Micro-Change (M12) Connectors
Description: Micro-Change (1/2" - 20 UNF) US Dual Keyway Receptacle, 6 Poles, 1/4" -18 NPT Mounting Threads, Male (Straight) to 22 AWG PVC Leads, 0.305m (1.0') Length

Documents:

[Drawing \(PDF\)](#) [RoHS Certificate of Compliance \(PDF\)](#)

Agency Certification

CSA LR6837
 UL E152210

General

Product Family Industrial Receptacles
 Series [120074](#)
 IP Rating IP67
 NEMA Rating NEMA 6
 Overview [Brad Micro-Change \(M12\) Connectors](#)
 Product Name Micro-Change (1/2" - 20 UNF)
 Type Single Ended (pigtail)
 UPC 78678821757

Physical

Coupling Type External Thread
 Gender Male
 Keyway Dual
 Length 0.305m
 Material - Component Gray Anodized Aluminum
 Mounting Thread Size 1/4" - 18 NPT
 Orientation Straight
 Panel Mount Front
 Poles 6
 Temperature Range - Operating -20°C to +80°C
 Wire Size AWG 22
 Wire/Cable Type Leads, UL 1061

Electrical

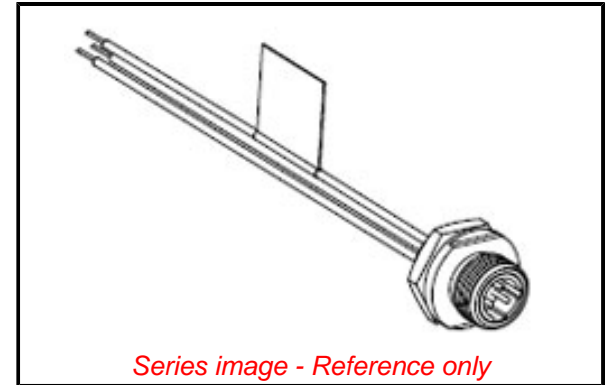
Current - Maximum per Contact 4.0A
 Voltage - Maximum 250V AC/DC

Material Info

Engineering Number 7R6A06A19A120

Reference - Drawing Numbers

Sales Drawing 1200740030-000, SD-120074-030



Series image - Reference only

EU ELV

Not Relevant

EU RoHS

Compliant with Exemption 6(b)-II,6(c)

REACH SVHC

Not Reviewed

Halogen-Free

Status

Not Reviewed

For more information, please visit [Contact US](#)

China ROHS

ELV

RoHS Phthalates

China RoHS

50 Image

Not Relevant

Not Contained

Search Parts in this Series

[120074 Series](#)