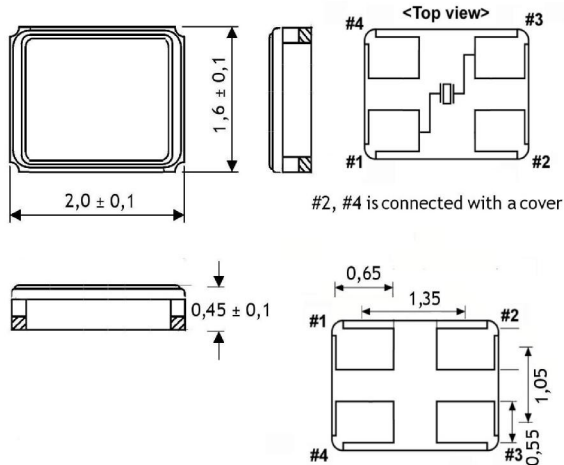


Quartz Crystal

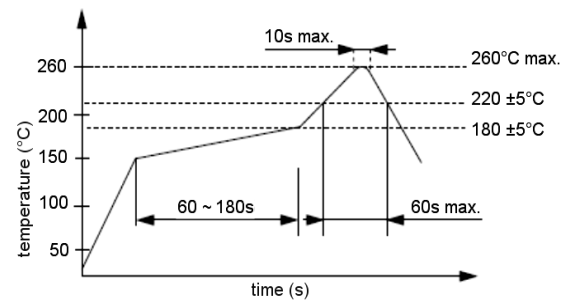
SMD-version

| | |
|---------------------------------------|--------------|
| model | KX – 5T |
| frequency | 27,120 MHz |
| mode | fundamental |
| operating temperature | -40° ~ +85°C |
| frequency tolerance at +25°C | ± 10 ppm |
| temperature tolerance -40° ~ +85°C | ± 15 ppm |
| load capacitance C_L | 8 pF |
| series resonance R1 max. | 80 Ohm |
| aging at +25°C (first year) max. | ± 2 ppm |
| shunt capacitance C_0 max. | 5,0 pF |
| drive level max. | 50 μ W |
| contents of reel | 1000 pcs. |
| part no. | 12.85569 |

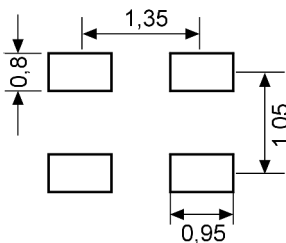
Dimensions (mm):



Reflow soldering condition:



Suggested soldering pad:



Tape specification:

