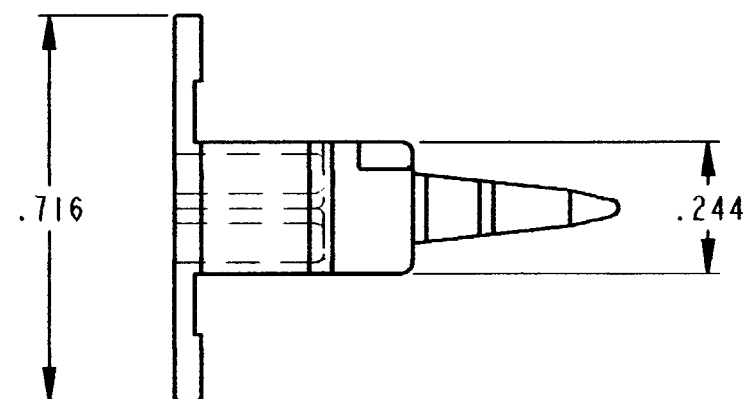
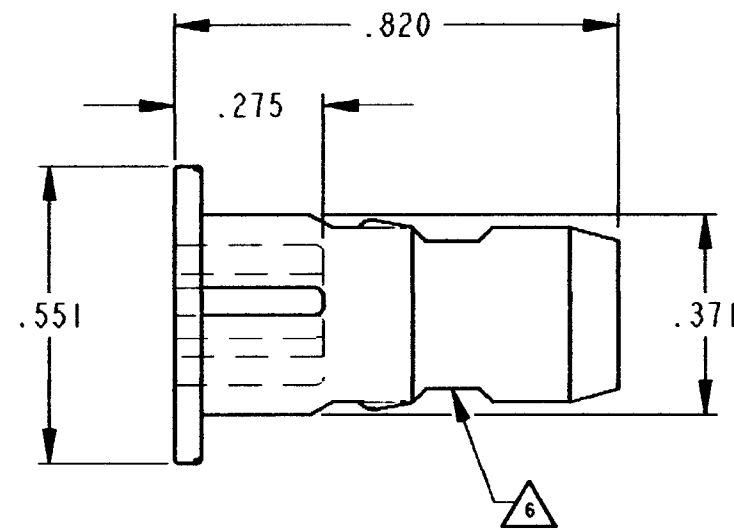
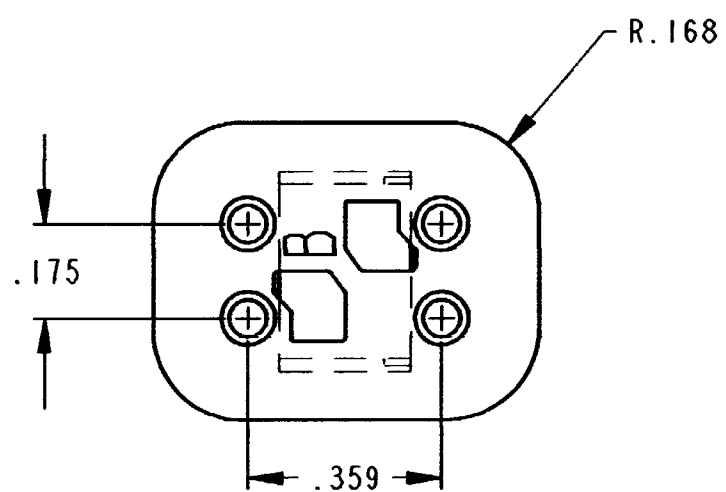


REV  
B

W4SB

REVISIONS

| SYM | DESCRIPTION                 | DATE    | APPROVED |
|-----|-----------------------------|---------|----------|
| NC  | NEW RELEASE PER E.O. A14877 | 8/2/95  | R.D.R.   |
| A   | REVISED PER E.O. P18246     | 8/22/03 | R.D.R.   |
| B   | REVISED PER E.O. P19635     | 11-5-07 | RDR      |



△ CUTOUT FEATURE OPTIONAL, 2 PLACES.

- 5. WARNING: THIS WEDGE ALSO MATES WITH STANDARD PART W4P (=KEYLESS)
- 4. COLOR CODE = BLACK.
- 3. CONSULT FACTORY FOR APPLICATION.
- 2. ALL DIMENSIONS ARE ±.025 [.64] UNLESS OTHERWISE SPECIFIED.

NOTES: 1. ALL DIMENSIONS ARE IN INCHES [MILLIMETERS]

| SIGNATURE & DATE |                                |
|------------------|--------------------------------|
| DR               | V. TOMSA JUL-21-95.            |
| CHK              | <i>John C. Spauld</i> 10/12/07 |
| PE               | <i>H. Meyer</i> 7/16/07        |
| APPD             | <i>S. Brand</i> 10-10-07       |
| SCALE            | NONE WT                        |

WEDGE LOCK  
FOR 4 WAY PLUG  
KEY ARR. -B-  
DT SERIES

ENVELOPE

|   |                       |
|---|-----------------------|
| EP                                      | MATL. CODE            |
| 3850 INDUSTRIAL AVE.<br>HEMET, CA 92545 |                       |
| DEUTSCH INDUSTRIAL                      |                       |
| B                                       | W4SB                  |
| DWG SIZE                                | CODE 11139 SHEET   OF |