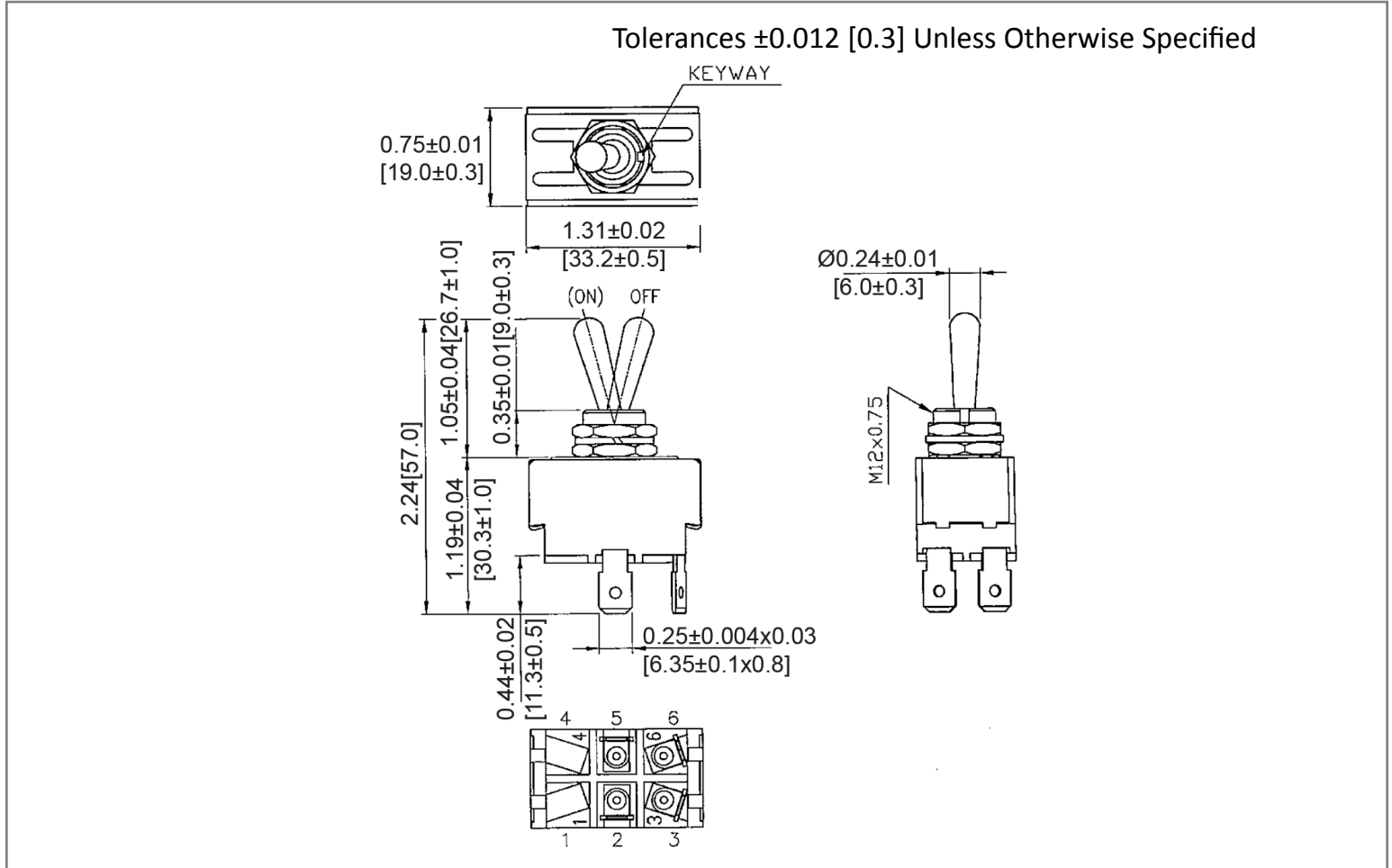
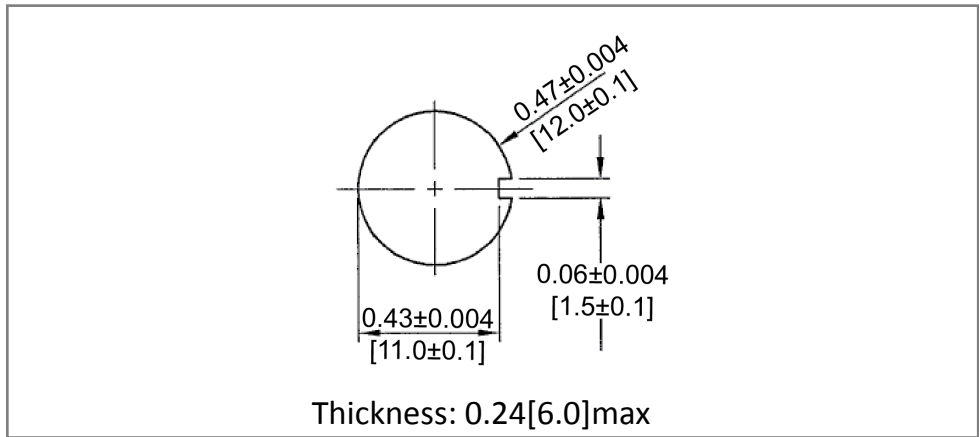


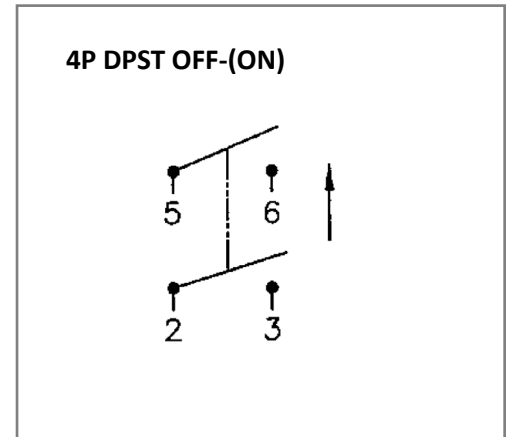
**Mechanical Dimensions: Inches [mm]**



**Mounting Hole**



**Circuit Diagram**



**Electrical Specifications**

Rating	20A 12V DC, 10A 24V DC
Contact Resistance	50m ohm Max
Insulation Resistance	DC 500V 100M ohm Min
Dielectric Strength	AC 1500V 1 minute
Operation Temperature	0°C~55°C

**Material Specifications**


**Rev      Date of issue      Revision Notes**

**Designed      Approved**

B	07-13-2021	Initial Drawing	RC	OF
---	------------	-----------------	----	----