

OSI LaserDiode

SCW Single Mode Pulsed Series

Single Mode Pulsed Instrument Laser Modules

The SCW high power laser modules are designed to meet the performance demands of the optical test equipment marketplace. The high peak optical power of SCW Series lasers serve 1310nm through 1650nm wavelengths and are available in fully hermetically sealed packages.

Applications

OTDR Instruments
Spectroscopy
Photon Counting
Optical and LOS Sensors
Talk Sets

Features

Wavelengths: 1310nm, 1490nm,
1550nm, 1625nm and 1650nm
High Peak Optical Power (Pulsed) up
to 200mW @ 1000mA
Optical Power (CW) Up to 75 mW
RoHS Compliant

Absolute Maximum Ratings

Parameter	Symbol	Min	Max	Unit
Forward Current	I_F	-	1000	mA
Operating Temperature*	T_{OP}	-30	+70	°C
Storage Temperature*	T_{STG}	-40	+85	°C
Detector Bias	-	-	-10	V
Soldering Time @ 260°C	-	-	10	Sec

*Non-Condensing

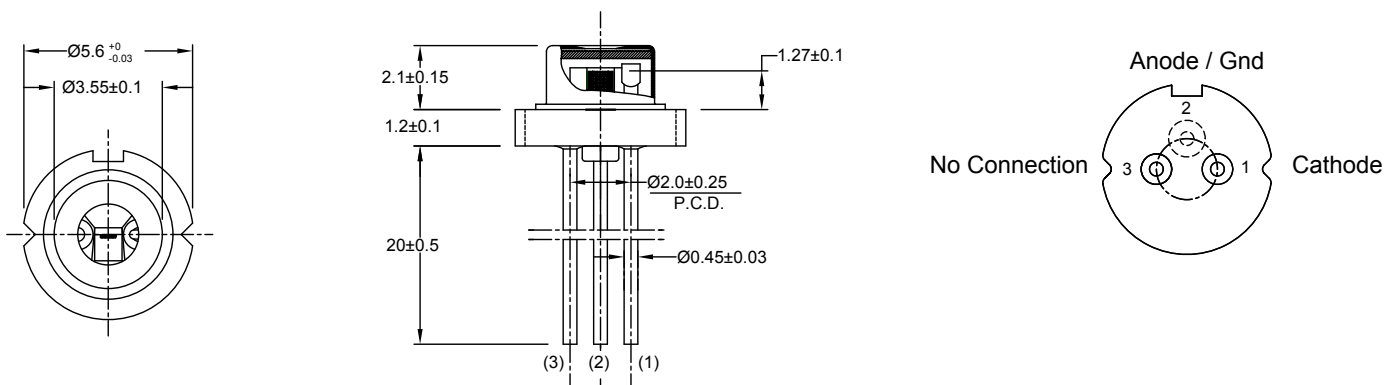
Typical Electro-Optical Specifications at $T_A=25\text{ °C}$ PW = 10 μ s, D/C=1%

Parameter	Symbol	1330 Series			1430 Series			1530 Series			1630 Series			1650 Series			Unit
		Min	Typ	Max	Min	Typ	Max	Min	Typ	Max	Min	Typ	Max	Min	Typ	Max	
Optical Power	P	350	-	-	300	-	-	300	-	-	250	-	-	225	-	-	mW
Threshold Current	I_{th}	-	30	-	-	35	-	-	35	-	-	45	-	-	45	-	mA
Forward Voltage	V_f	-	3	-	-	3	-	-	3	-	-	3	-	-	3	-	V
Center Wavelength	λ	1290	1310	1330	1470	1490	1510	1530	1550	1570	1615	1625	1635	1640	1650	1665	nm
Spectral Width	$\Delta\lambda$	-	-	8	-	-	10	-	-	10	-	-	12	-	-	12	nm

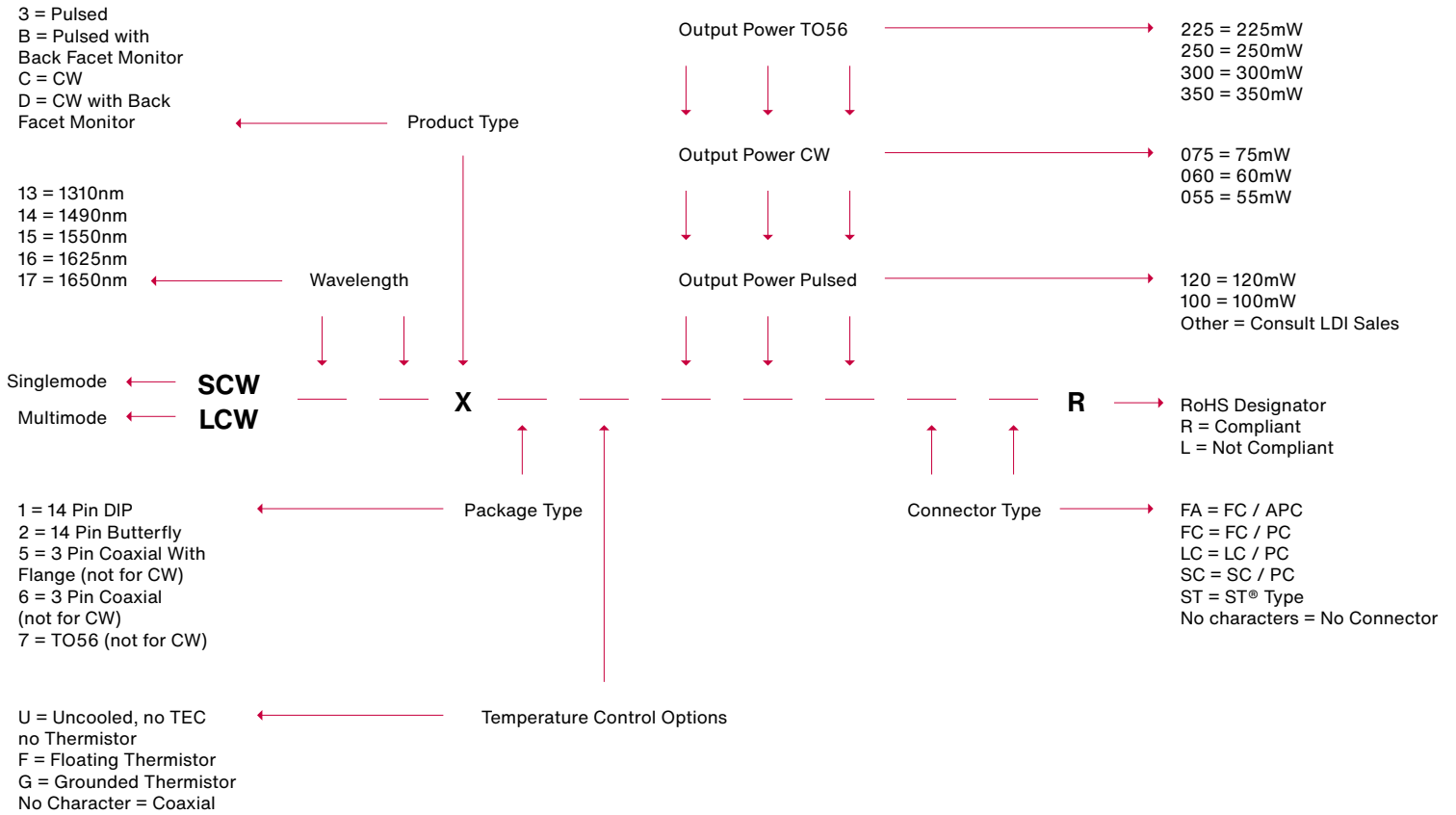
Reliability data available upon request

Mechanical Specifications

Units are in millimeters (mm)



Part Numbering Diagram



Warranty

Please refer to your product purchase agreement for complete details or check with your OSI LaserDiode sales representative.

Personal Hazard and Handling Precautions:

Handle optical fiber with normal care, avoiding stretch, tension, twist, kink or bend abuse. ESD precautions apply.

Normal aversion reactions will not protect from radiation hazards to the eye associated with devices of this kind.

1310nm lasers are IEC Class 3R; higher wavelengths are Class 1 lasers when operated at rated conditions. IEC 3B for all CW models.

Legal Disclaimer

Information in this data sheet is believed to be correct and reliable. However, no responsibility is assumed for possible inaccuracies or omission. Specifications are subject to change without notice.

