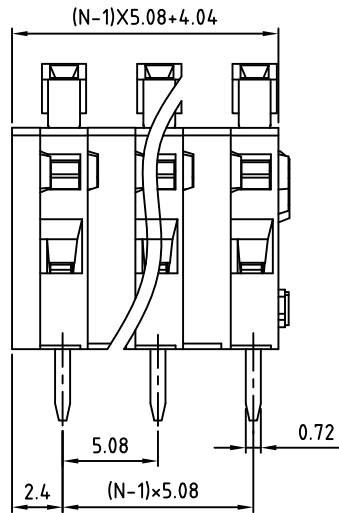
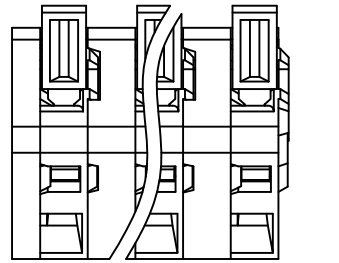
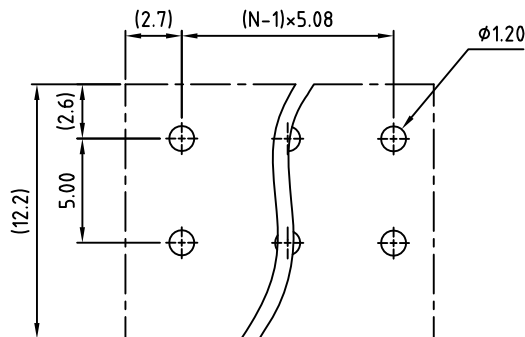


SIGN	DATE	DESCRIPTION	APPROVER

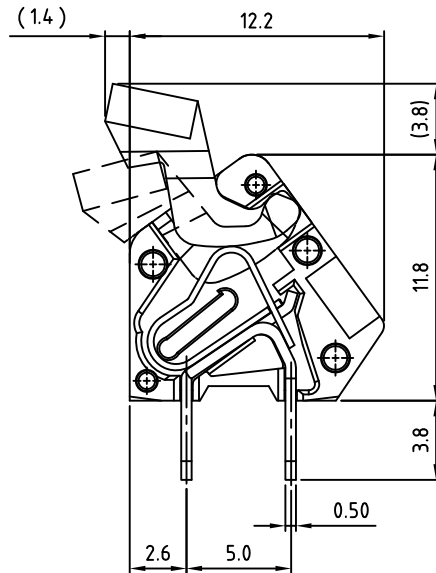
THIS IS CAD DRAWING, DO NOT REVISE MANUALLY!!!



N=Number of poles



P.C.B LAYOUT



Material

- Terminal body(Contact pin) : Brass
- Surface of solder tail : Tin plated
- Wire guard : Stainless steel
- Insulator (housing):Thermoplastic (UL94V-0)

Electrical cULus

- Voltage rating:150V
- Current rating:4A
- Wire range:
  - Solid wire(AWG):22-28
  - Stranded wire(AWG):22-28
- Wire strip length:6-7mm
- Withstanding Voltage:1.3KV
- Operating temperature:-30°C to +105°C
- Soldering temperature:250°C±10°C/5 Sec.

RoHS Compliant

PART NUMBER:

OSTHEXX2040

No. of Poles	COLOR
02 2 Poles	0: Black
03 3 Poles	4: Orange(Standard)
...	5: Green
24 24 Poles	6: Blue
	8: Grey

THESE DRAWINGS AND SPECIFICATIONS ARE THE PROPERTY OF ON-SHORE TECHNOLOGY, INC. AND SHALL NOT BE REPRODUCED, COPIED OR USED IN ANY MANNER WITHOUT THE PRIOR WRITTEN CONSENT OF ON-SHORE TECHNOLOGY, INC.



TITLE		OSTHE 5.08mm Series with lever	
PART NO.	OSTHEXX2040	DWG NO.	OSTHEXX2040.DWG
APPROVED	CHECKED	DESIGNED	DRAWN
Shi jun 2006.11.01	Marvin 2006.07.03	Marvin 2006.07.03	Marvin 2006.07.03
CUST NO.		Tolerance	
SHEET: 01/01		UNIT: mm	X. ±0.50
REV: B		SCALE: NONE	X.X ±0.30
			X.XX ±0.10
			X° ±1°