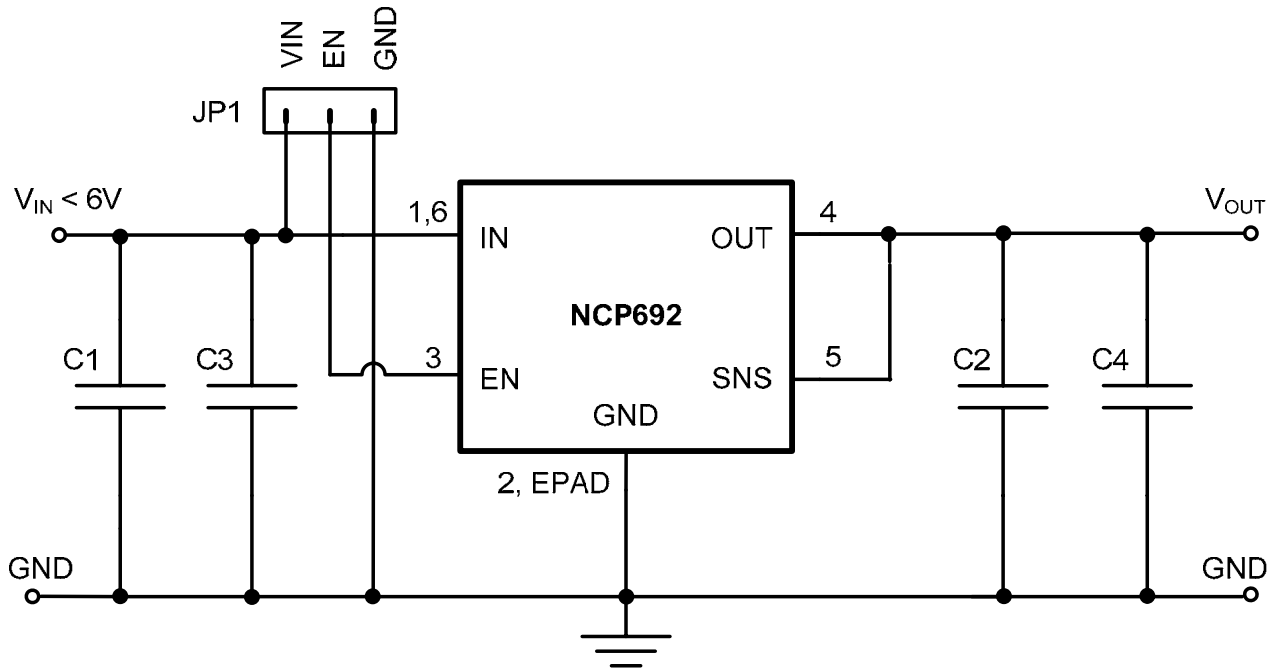


Schematic for the NCP692, 1A, Fixed Output Voltage LDO Demonstration Board



06-MAY-09



NCP692, 1A, Fixed Output Voltage LDO Schematic View