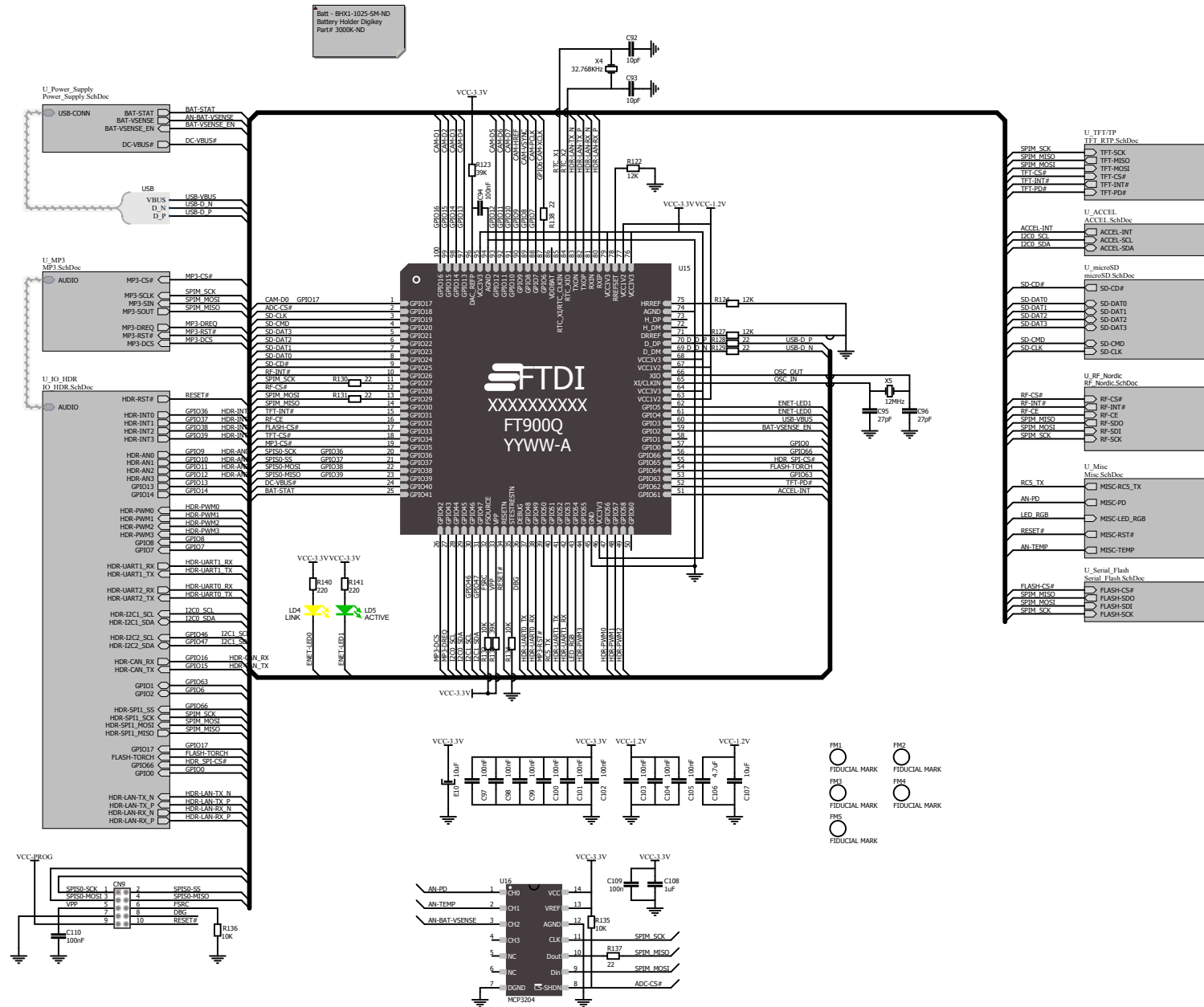
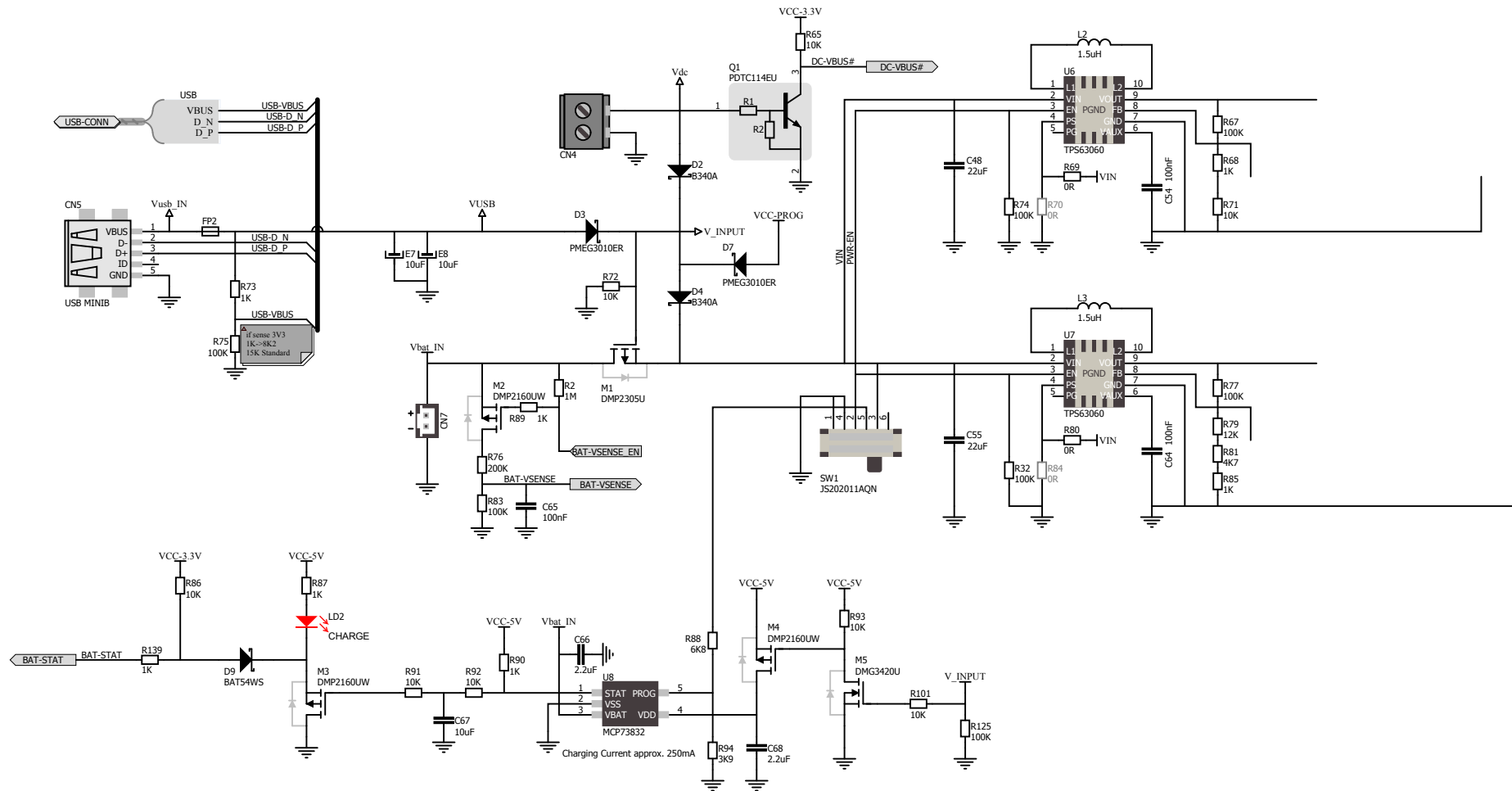
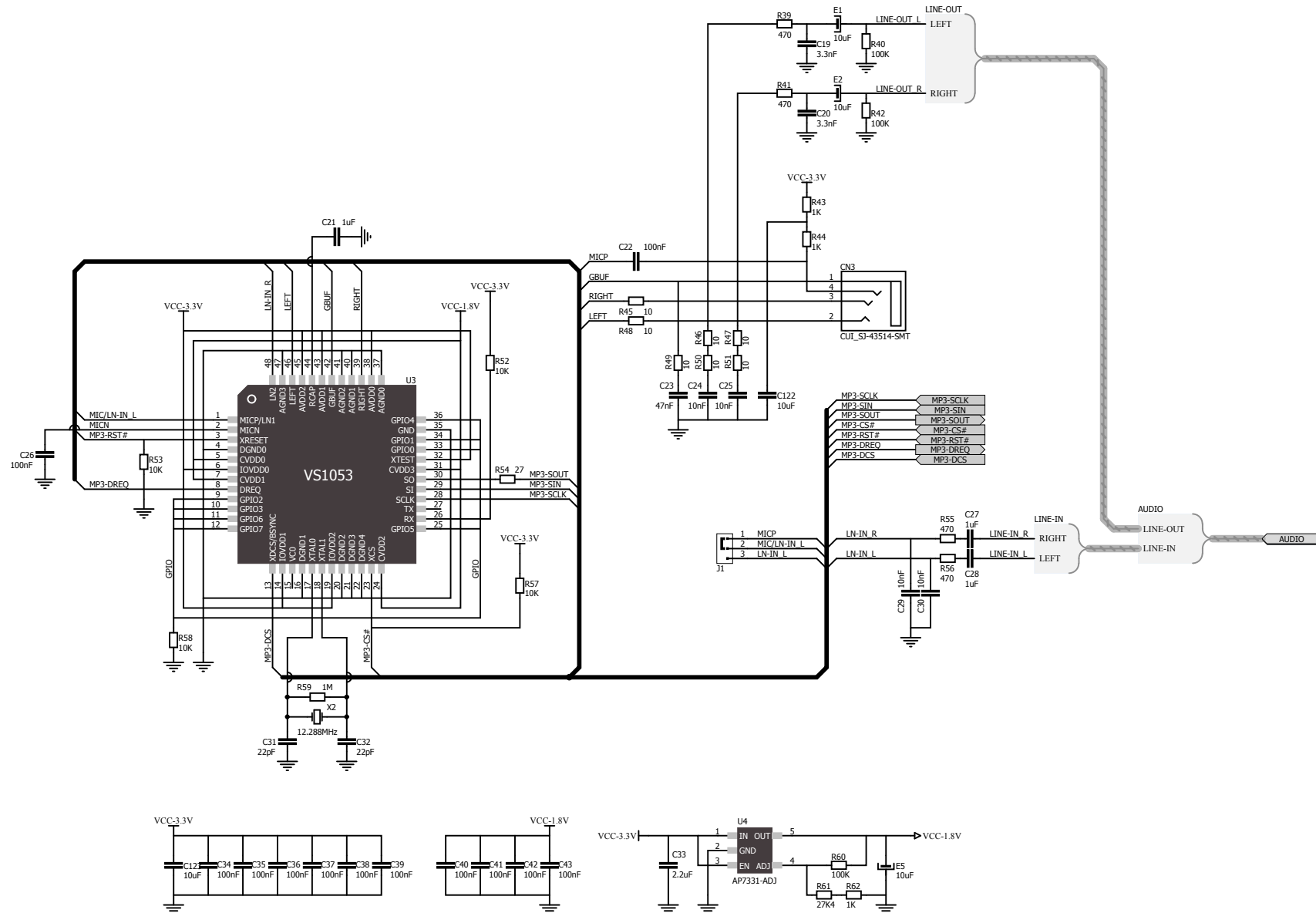


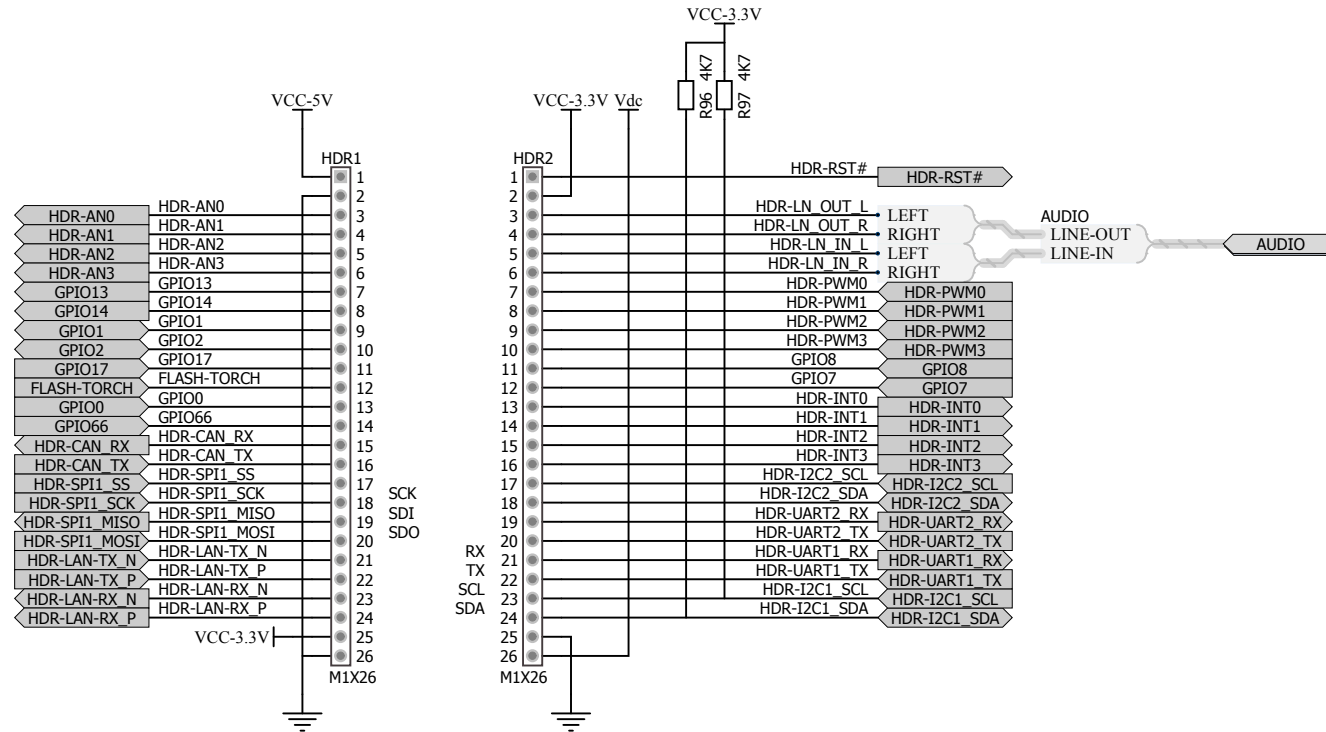
# mikromedia for FT90x schematic v100

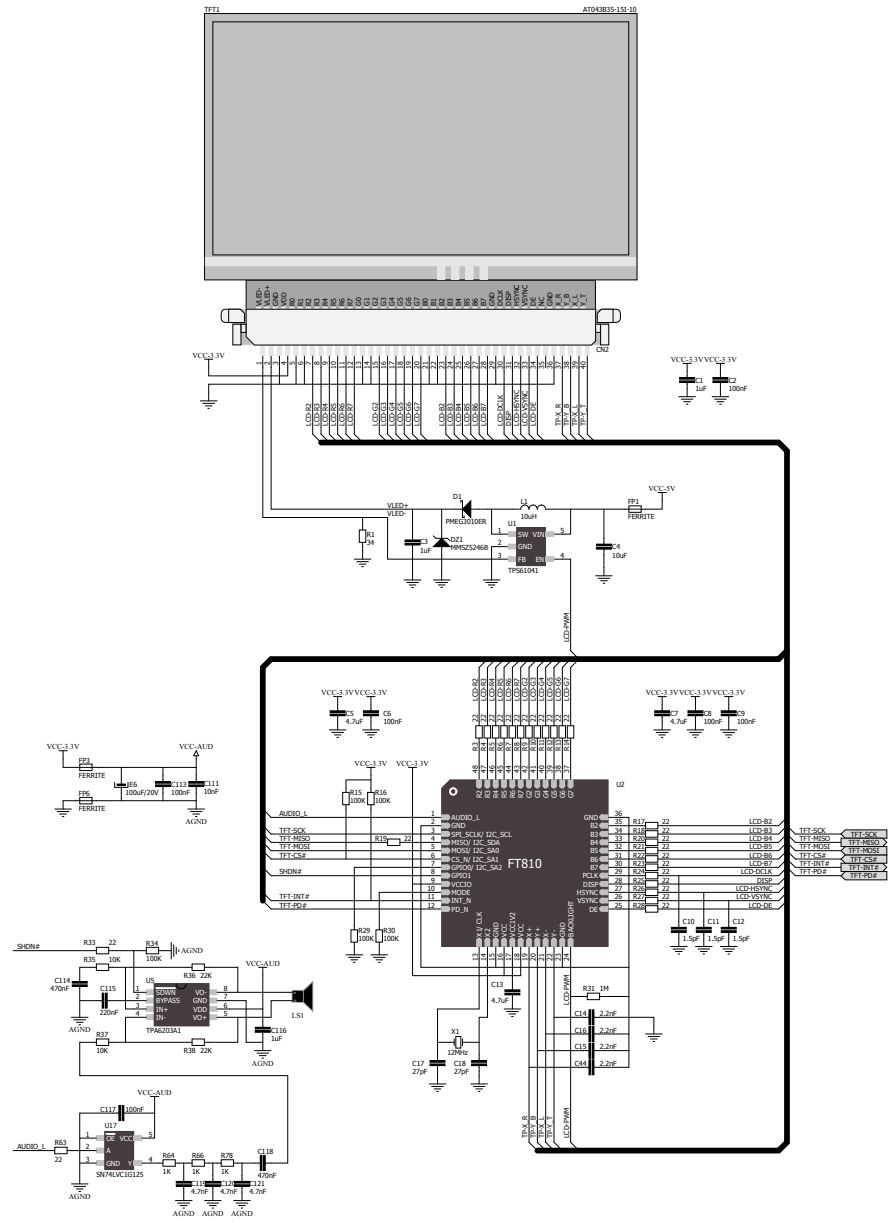


[www.mikroe.com](http://www.mikroe.com)









[www.mikroe.com](http://www.mikroe.com)

