

# M2M Embedded SIM

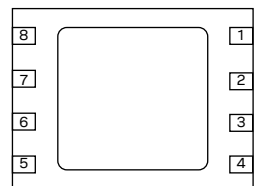
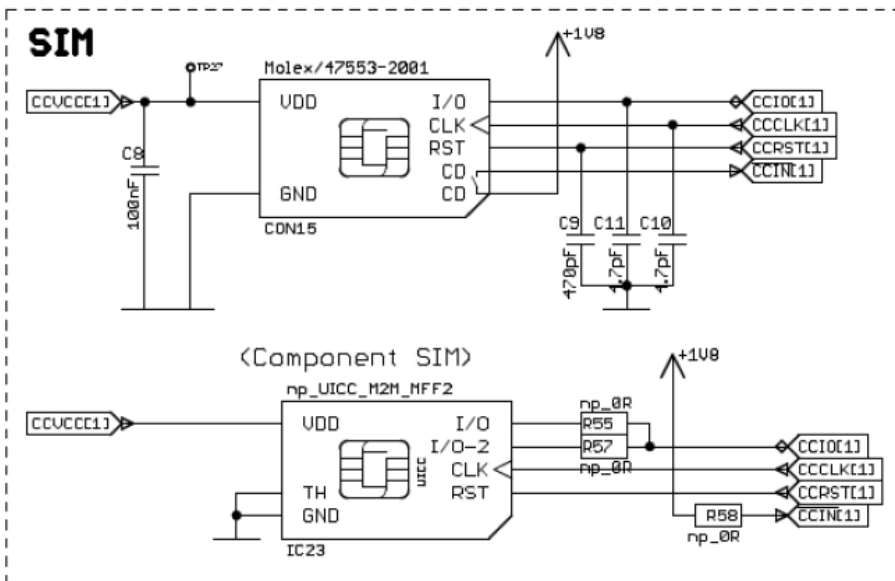


Enable your device to connect from almost anywhere in the world

**Unlock the power of MQTT Anywhere**

- Seamless global roaming on 2G/3G/LTE networks
- Low cost, fixed price pay-as-you-go plans with no monthly contract or roaming fees
- Available in the standard eSIM form factor: MFF2

MFF2 (QFN8) format, 6 x 5 x 0.8 mm  
(TS 102.671 standard format)



- Pin 1 = VSS
- Pin 3 = I/O
- Pin 6 = CLK
- Pin 7 = RST
- Pin 8 = VDD

**Product description**

The Thingstream M2M Embedded SIM is the key to enable your device to connect from almost anywhere in the world, and send and receive IoT messages using MQTT-SN, via the Thingstream Global Connectivity Platform.

In addition to the Thingstream M2M Embedded SIM, you'll need to integrate the Thingstream SDK with your application to enable your own devices to start working with Thingstream. You can download an appropriate build for your MCU from:

<https://portal.thingstream.io/app/downloads>



# M2M Embedded SIM



## Chip features

CPU	ARM7™ SC100 16-32BIT RISC
Electrical characteristics	1.6 V, 3 V & 5 V operating supply voltage ranges
Operational temperature characteristics	-25 °C to +85 °C
Memory size for program & data	340k/440k flash available for OS & applications

## NVRAM characteristics

Endurance cycles (min) @25°	Min 500 k read/write cycle
Data retention (min) @25°	25 years
Sector/bank erase time	1.5ms / 3ms
Page / write erase time	1.5ms / 0.4ms

## Software features

Platform	Technology	2G/3G/4G/LTE
	UICC	Release 8
	Java Card	2.2.1
	Global platform	2.1.1
Supported applications	Sim	Release 4
	USim	Release 8
	ISim	Release 8
OTA capabilities	Remote file management	Release 8
	Remote applet management	Release 8
Authentication algorithms	2G comp 128-1,2,3 2G gsm milenage 3G milenage	All applicable according to profile

## Other features

Serial i/o interface	H/W UART for asynchronous half-duplex (conforms to ISO 7816-3)
Des/T-Des	Built-in hardware DES/T-DES Start and stop control
Parity / CRC calculator	Parity calculator for 8/16/32bit CRC-16/32 calculator
Timers	Two 16-Bit timers with 8 bit pre-scaler 20-Bit Watchdog Timer
16-bit random number generator	One 16-Bit R.N.G for security key generation Start/Stop control
Reset	Power-on reset External reset circuit

## Further information

For contact information, see [www.u-blox.com/contact-us](http://www.u-blox.com/contact-us).

## CPU

CS100 32-bit CPU core
Fully 16/32-bit RISC Architecture

## Memory

32 kB ROM for boot loader
340 kB Flash for program & data
10 kB Static RAM
Memory Protection Unit

## Flash write operations

Page(256 bytes) / Sector(4 kB) / Chip(340 kB) erase operation
Program with 4 bytes unit to maximum 128 bytes
0.4-3.2 msec for page erase time
1.5 msec for sector erase time
3.0 msec for chip erase time
Min. 500,000 erase/write cycles
Min. 25 years data retention at 25 °C

## Data security

ROM code not visible due to implantation
256B for security (read only) & 256B OTP area
Reset operation is selective if abnormal condition is detected

## Operating characteristics

Operating Voltage	1.62 v to 5.5 v
Operating External Frequency	1-10 MHz (class A/B), 1-7.5 MHz (class C)
Operating internal frequency	max 28 MHz
Operating Temperature	-25 °C to 85 °C

## Product variants

M2M eSIM MFF2	MQTT Anywhere M2M eSIM - MFF2 format
---------------	--------------------------------------

## Legal Notice:

u-blox reserves all rights to this document and the information contained herein. Products, names, logos and designs described herein may in whole or in part be subject to intellectual property rights. Reproduction, use, modification or disclosure to third parties of this document or any part thereof without the express permission of u-blox is strictly prohibited.

The information contained herein is provided "as is". No warranty of any kind, either express or implied, is made in relation to the accuracy, reliability, fitness for a particular purpose or content of this document. This document may be revised by u-blox at any time. For most recent documents, please visit [www.u-blox.com](http://www.u-blox.com).  
Copyright © 2020, u-blox AG