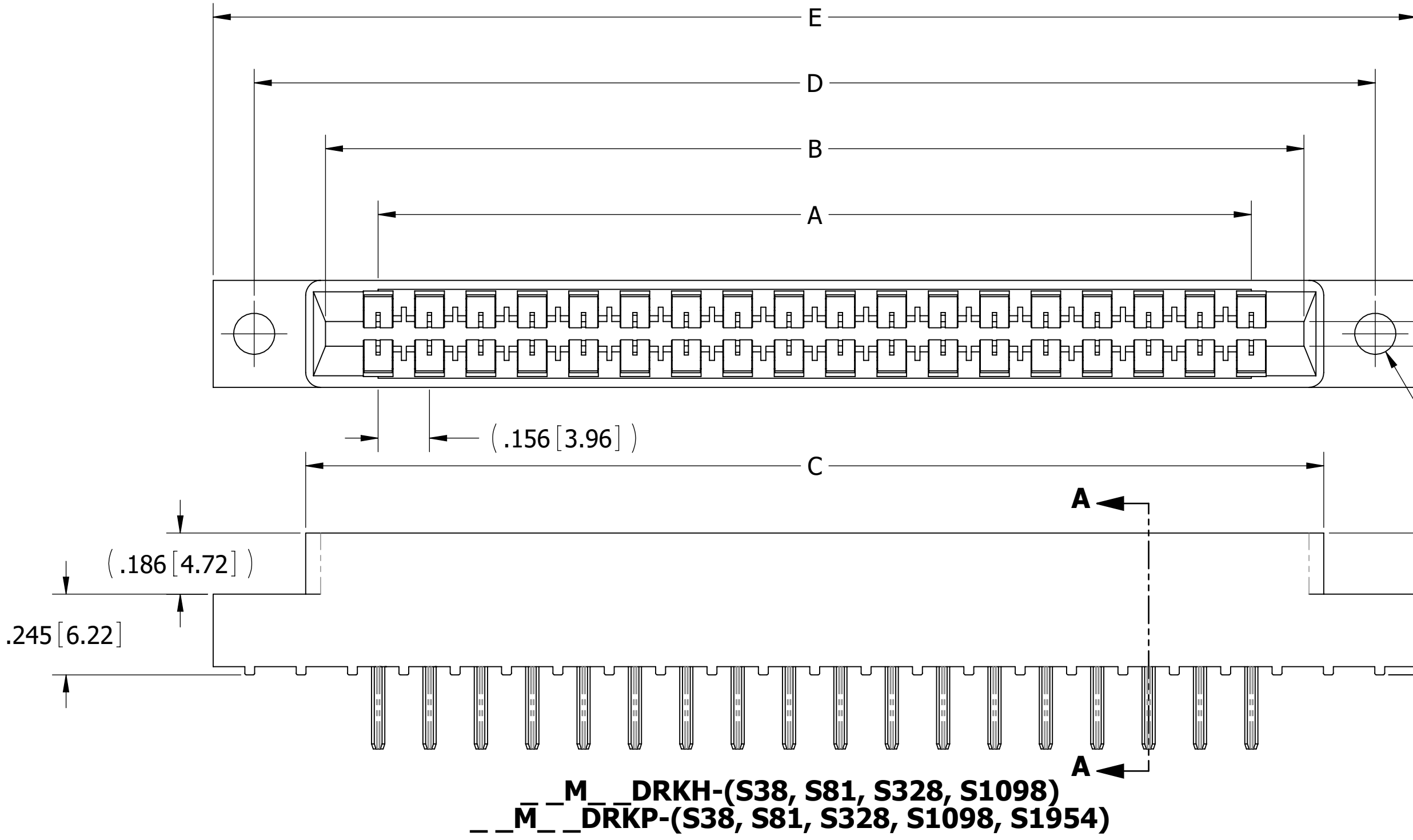
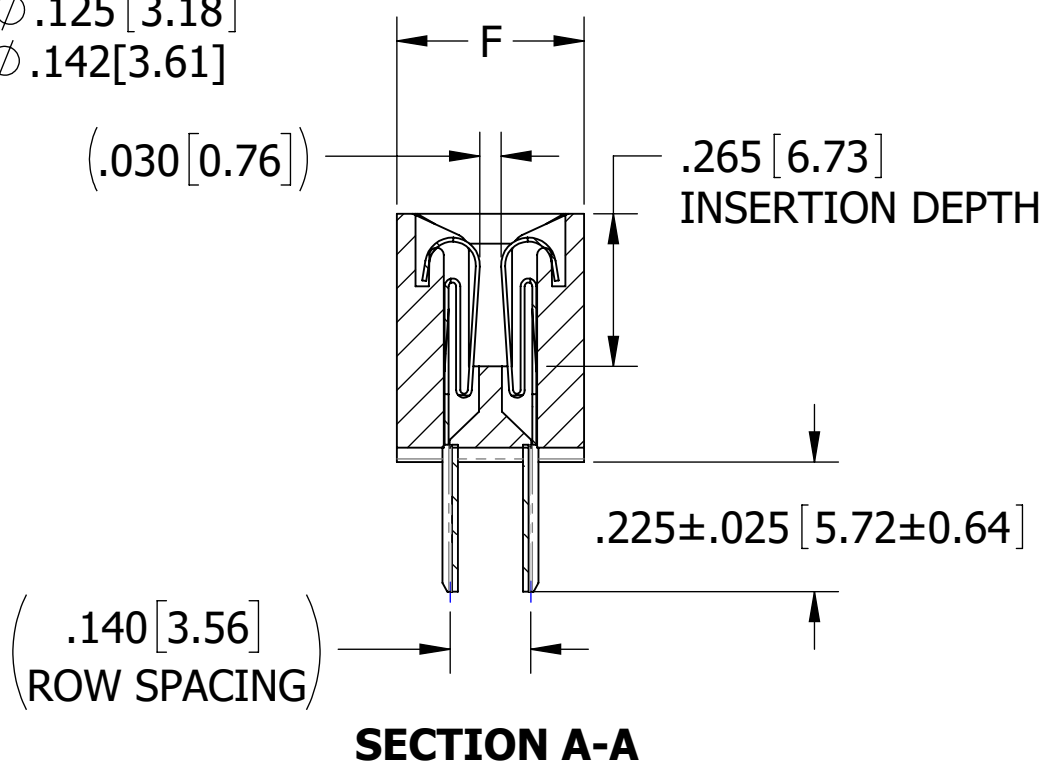


REVISIONS				
REV.	ECO. NO	DESCRIPTION	DATE	BY
D	3577	UPDATE DIM TABLE TO REMOVE "N MOUNTING ONLY" NOTE FOR POSITIONS 02 AND 03	12/7/2016	MG
E	4133	UPDATE NOTE 8 (WAS 3A), ADD POSI 4 & 7 TO DIM TABLE	10/24/2019	JH

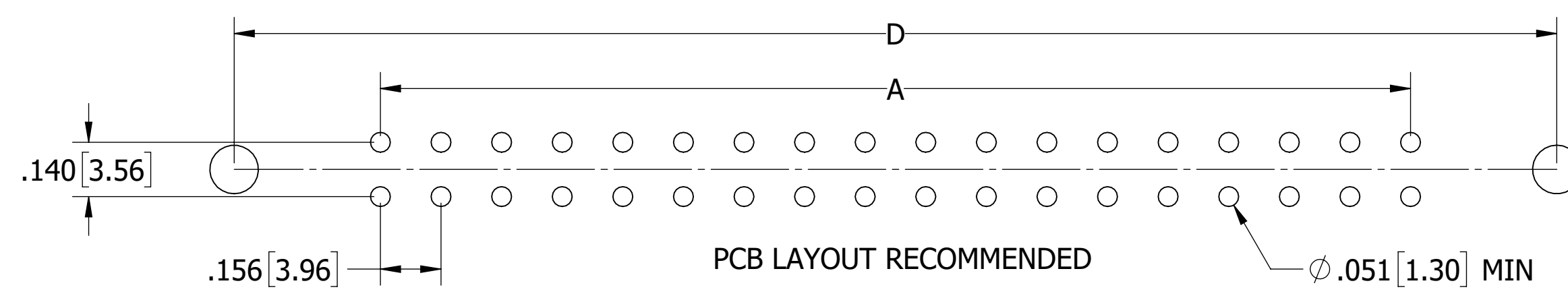


(.075 [1.91])  
SEE NOTE 13

'H' MTG = 2X  $\phi$ .125 [3.18]  
'P' MTG = 2X  $\phi$ .142 [3.61]



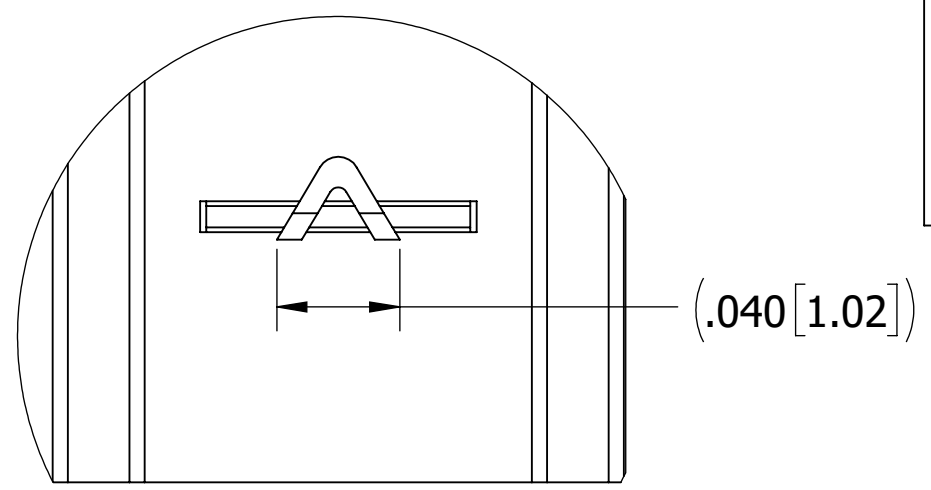
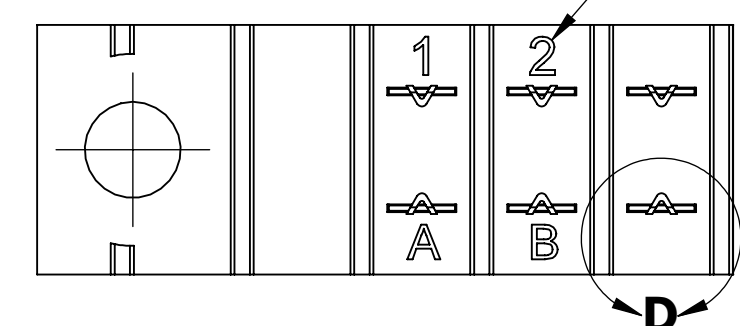
**M\_DRKH-(S38, S81, S328, S1098)**  
**M\_DRKP-(S38, S81, S328, S1098, S1954)**



CONTACT MARKINGS:  
(LETTERS G, I, O, & Q NOT USED)

SIZE 02 THRU 25:  
1 2 3 ... 23 24 ...  
A B C ... AA BB ...

SIZE 28 THRU 44:  
1 2 3 ... 23 24 ...  
A B C ... A B ...

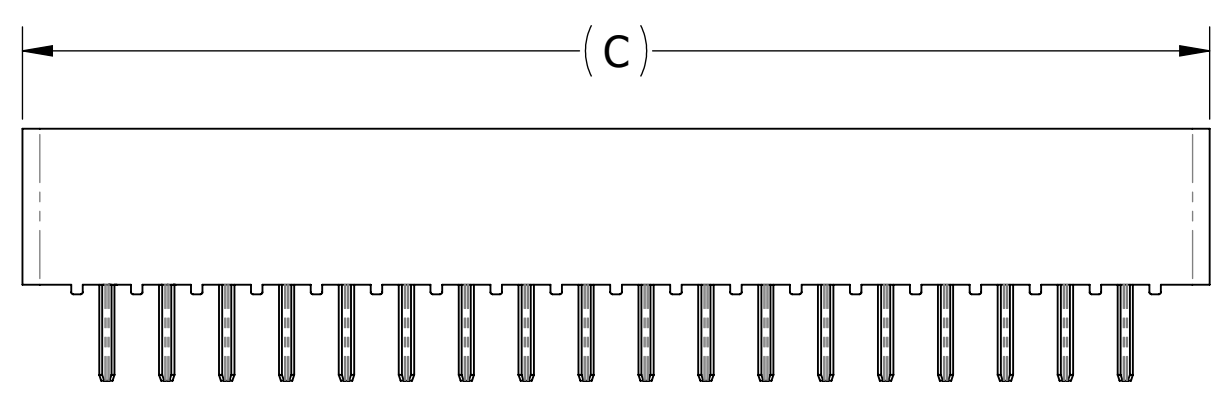
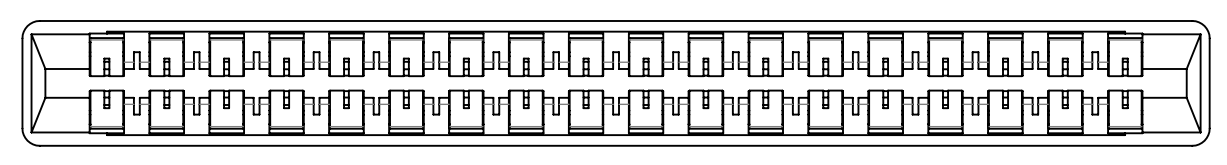


- NOTES:**
- INSULATOR MATERIAL: SEE PART NUMBER CODING
  - CONTACT MATERIAL: SEE PART NUMBER CODING
  - PLATING: SEE PART NUMBER CODING
  - OPERATING TEMPERATURE: SEE PART NUMBER CODING
  - PROCESSING TEMP: SEE PART NUMBER CODING
  - UL FLAMMABILITY RATING: 94V-0
  - OPERATING VOLTAGE: 950 VAC
  - CURRENT RATING: 5 AMP
  - CONTACT RESISTANCE: 30 MILLI OHMS MAX
  - INSULATION RESISTANCE: 5000 MEGA OHMS
  - DURABILITY: 500 CYCLES MINIMUM
  - CONNECTOR IDENTIFICATION: THE PART SHALL BE MARKED WITH A PART NUMBER AND LOT CODE
  - BOARD THICKNESS ACCOMMODATED: .062 ± .008 [1.57 ± 0.20]
  - INSERTION FORCE: 16 OZ MAX PER CONTACT PAIR WHEN USING A .062 [1.57] TEST BLADE  
INTERNAL INSPECTION TO BE PER SULLINS WORK INSTRUCTION WI-8.6-03
  - WITHDRAWAL FORCE: 1 OZ MIN PER CONTACT PAIR USING .062 [1.57] TEST BLADE
  - MODIFICATION: SEE PART NUMBER CODING

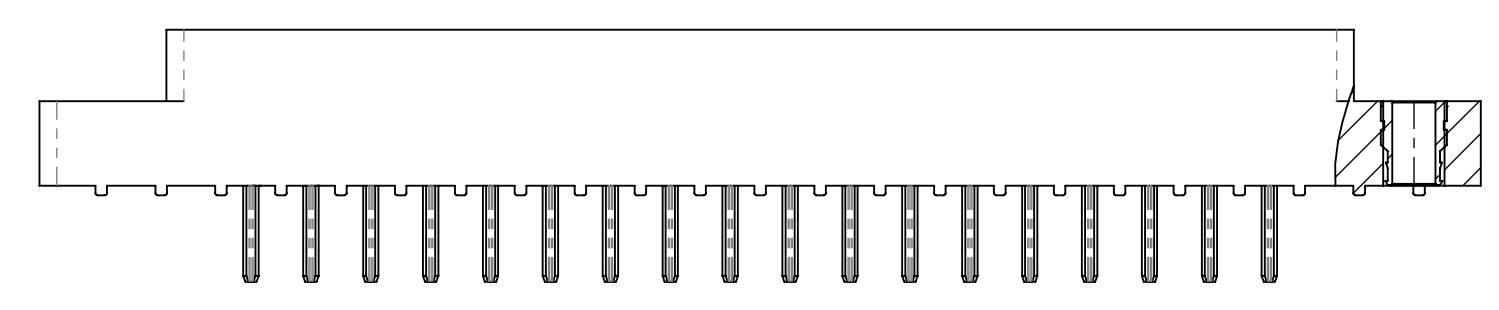
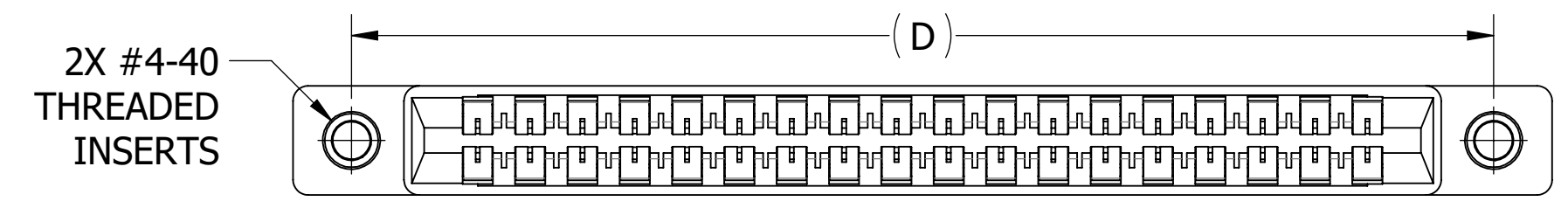


# CUSTOMER COPY

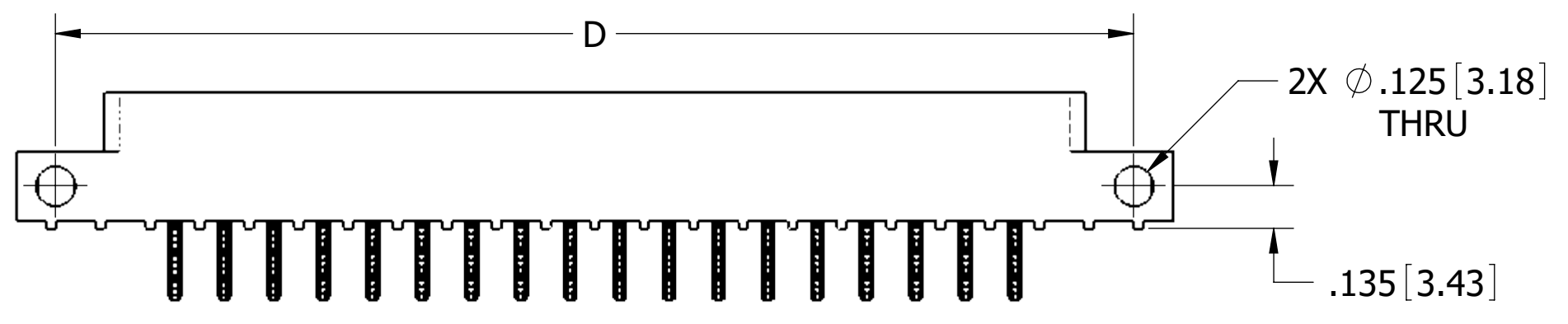
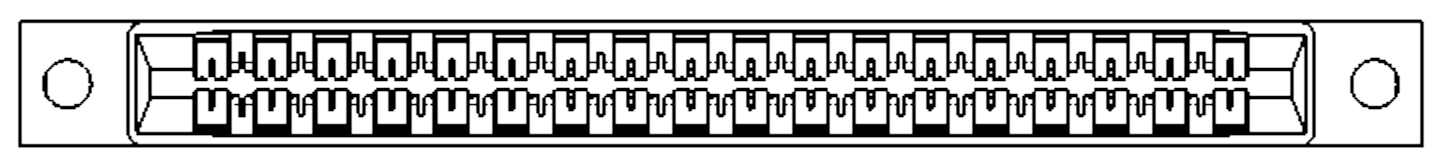
UNLESS OTHERWISE SPECIFIED: DIMENSIONS ARE IN INCHES [MM]		DRAWN	DATE	NAME	
			1/8/2014	JHSU	
TOLERANCES: ANGULAR: ± 1° DECIMALS .XX = ± .02 [.5] .XXX = ± .005 [.13] .XXXX = ± .0005 [.013]					TITLE <b>EDGE CARD, .156 CC, LP</b>
THE INFORMATION HEREIN CONTAINS PROPRIETARY INFORMATION OF SULLINS ELECTRONICS AND IS NOT TO BE REPRODUCED, USED OR DISCLOSED TO OTHERS FOR ANY PURPOSE EXCEPT AS SPECIFICALLY AUTHORIZED IN WRITING BY AN OFFICER OF SULLINS ELECTRONICS.					PART NUMBER <b>M_DRK_(S38,S81,S328,S1098,S1954)</b>
SCALE: 3:1		SIZE	CAGE CODE	DWG. NO.	REV
		C	54453	C11120	E
					SHEET 1 OF 3



**\_\_M\_\_DRKN-(S38, S81, S328, S1098)**

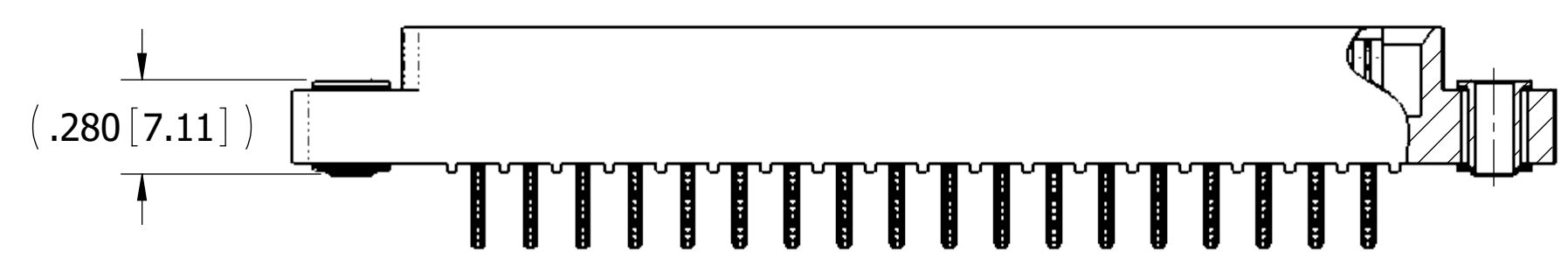
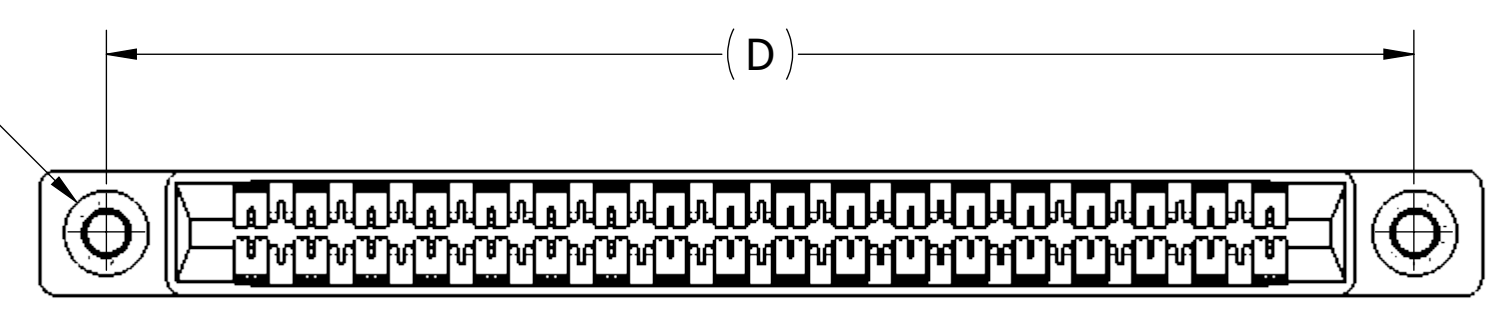


**\_\_M\_\_DRKI-(S38, S81, S328, S1098)**



**\_\_M\_\_DRKS-(S38, S81, S328, S1098)**

2X FLOATING BOBBIN  
Ø.116 [2.95] CLEARANCE  
FOR # 4 SCREW



**\_\_M\_\_DRKF-(S38, S81, S328, S1098)**

# CUSTOMER COPY



UNLESS OTHERWISE SPECIFIED:  
DIMENSIONS ARE IN INCHES [MM]

TOLERANCES:  
ANGULAR: ± 1°  
DECIMALS  
.XX= ± .02 [.5]  
.XXX= ± .005 [.13]  
.XXXX= ± .0005 [.013]

DRAWN	DATE	NAME
	1/8/2014	JHSU
<small>THE INFORMATION HEREIN CONTAINS PROPRIETARY INFORMATION OF SULLINS ELECTRONICS AND IS NOT TO BE REPRODUCED, USED OR DISCLOSED TO OTHERS FOR ANY PURPOSE EXCEPT AS SPECIFICALLY AUTHORIZED IN WRITING BY AN OFFICER OF SULLINS ELECTRONICS.</small>		

<b>SULLINS</b> CONNECTOR SOLUTIONS			
TITLE EDGE CARD, .156 CC, LP			
PART NUMBER __M__DRK_-(S38,S81,S328,S1098,S1954)			
SIZE C	CAGE CODE 54453	DWG. NO. C11120	REV E
SCALE: 2:1		SHEET 2 OF 3	

PART NUMBER	NO. OF POS.	A ± .008[0.20]		B ± .008[0.20]		C ± .015[0.38]		D ± .010[0.25]		E ± .020[0.51]		E ± .020[0.51]		F +.005/-.015[+0.13/-0.38]	
		IN	MM	IN	MM	IN	MM	IN	MM	IN	MM	IN	MM	IN	MM
M02DRK	2	0.156	3.96	0.476	12.09	0.596	15.14	0.909	23.09	1.158	29.41	1.258	31.95	0.325	8.26
M03DRK	3	0.312	7.92	0.632	16.05	0.752	19.10	1.065	27.05	1.314	33.38	1.414	35.92		
M04DRK	4	0.468	11.89	0.788	20.02	0.908	23.06	1.221	31.01	1.470	37.34	1.570	39.88		
M06DRK	6	0.780	19.81	1.100	27.94	1.220	30.99	1.533	38.94	1.782	45.26	1.882	47.80		
M07DRK	7	0.936	23.77	1.256	31.90	1.376	34.95	1.689	42.90	1.938	49.23	2.038	51.77		
M08DRK	8	1.092	27.74	1.412	35.86	1.532	38.91	1.845	46.86	2.094	53.19	2.194	55.73		
M10DRK	10	1.404	35.66	1.724	43.79	1.844	46.84	2.157	54.79	2.406	61.11	2.506	63.65		
M11DRK	11	1.560	39.62	1.880	47.75	2.000	50.80	2.313	58.75	2.562	65.07	2.662	67.61		
M12DRK	12	1.716	43.59	2.036	51.71	2.156	54.76	2.469	62.71	2.718	69.04	2.818	71.58		
M15DRK	15	2.184	55.47	2.504	63.60	2.624	66.65	2.937	74.60	3.186	80.92	3.286	83.46		
M18DRK	18	2.652	67.36	2.972	75.49	3.092	78.54	3.405	86.49	3.654	92.81	3.754	95.35		
M22DRK	22	3.276	83.21	3.596	91.34	3.716	94.39	4.029	102.34	4.278	108.66	4.378	111.20		
M24DRK	24	3.588	91.14	3.908	99.26	4.028	102.31	4.341	110.26	4.590	116.59	4.690	119.13		
M25DRK	25	3.744	95.10	4.064	103.23	4.184	106.27	4.497	114.22	4.746	120.55	4.846	123.09		
M28DRK	28	4.212	106.98	4.532	115.11	4.652	118.16	4.965	126.11	5.214	132.44	5.314	134.98		
M36DRK	36	5.460	138.68	5.780	146.81	5.900	149.86	6.213	157.81	6.462	164.13	6.562	166.67		
M43DRK	43	6.552	166.42	6.872	174.55	6.992	177.60	7.305	185.55	7.554	191.87	7.654	194.41		
M44DRK	44	6.708	170.38	7.028	178.51	7.148	181.56	7.461	189.51	7.710	195.83	7.810	198.37		

FOR 'I' & 'F'  
MOUNTING STYLES  
AND S1954  
MODIFICATION

**PART NUMBER CODING**

**M** **DRK** **S**

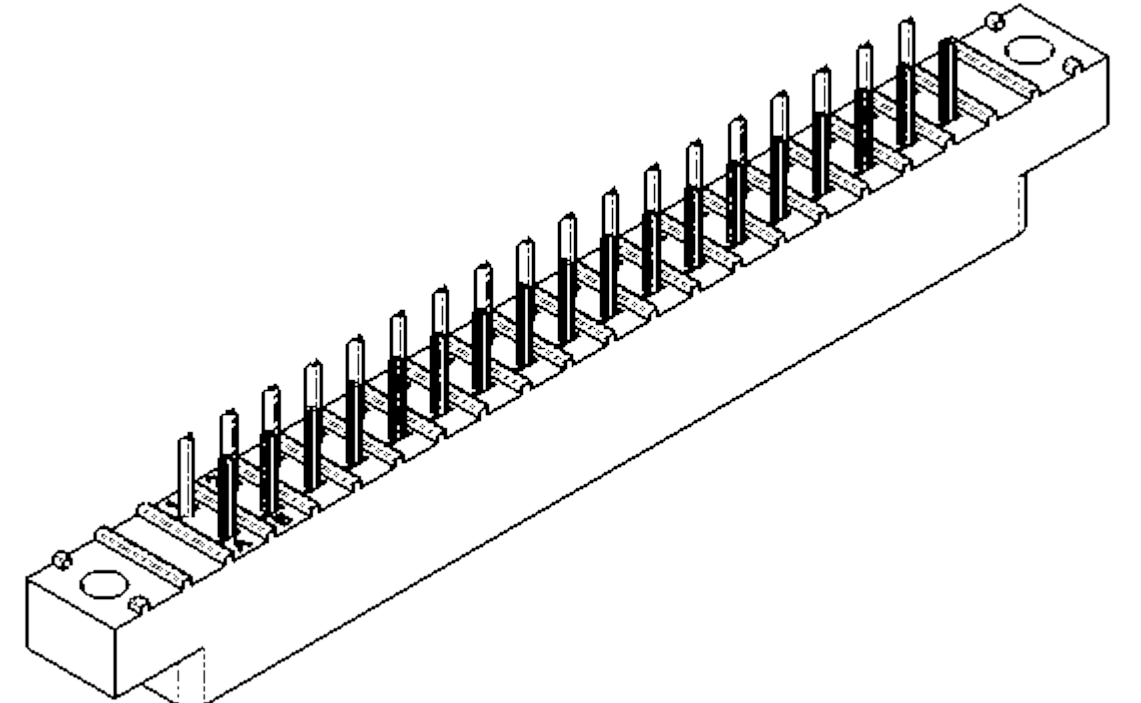
- MATERIAL (INSULATOR/CONTACT)**
- E = BLUE PBT/PHOSPHOR BRONZE**  
OPERATING TEMP: -65°C TO +125°C  
PROCESSING TEMP: WAVE/MANUAL SOLDERING ONLY
  - R = GREEN PPS/PHOSPHOR BRONZE**  
OPERATING TEMP: -65°C TO +125°C  
PROCESSING TEMP: 260°C MAX FOR 20 SECONDS
  - G = BLACK PA9T/PHOSPHOR BRONZE**  
OPERATING TEMP: -65°C TO +125°C  
PROCESSING TEMP: 260°C MAX FOR 20 SECONDS
  - H = BLUE PBT/BERYLLIUM COPPER**  
OPERATING TEMP: -65°C TO +125°C  
PROCESSING TEMP: WAVE/MANUAL SOLDERING ONLY
  - A = GREEN PPS/BERYLLIUM COPPER**  
OPERATING TEMP: -65°C TO +150°C  
PROCESSING TEMP: 260°C MAX FOR 20 SECONDS
  - J = BLACK PA9T/BERYLLIUM COPPER**  
OPERATING TEMP: -65°C TO +150°C  
PROCESSING TEMP: 260°C MAX FOR 20 SECONDS
  - F = GREEN PPS/SPINODAL (CONSULT FACTORY)**  
OPERATING TEMP: -65°C TO +200°C  
PROCESSING TEMP: 260°C MAX FOR 20 SECONDS  
AVAILABLE IN OVERALL GOLD ONLY (S OR M PLATING CODE)  
(CONSULT FACTORY FOR SPECIAL SOLDERING GUIDELINES)
  - C = GREEN PPS/BERYLLIUM NICKEL (CONSULT FACTORY)**  
OPERATING TEMP: -65°C TO +200°C  
PROCESSING TEMP: 260°C MAX FOR 20 SECONDS  
AVAILABLE IN OVERALL GOLD ONLY (S OR M PLATING CODE)
  - W = TAN PEEK/BERYLLIUM NICKEL (CONSULT FACTORY)**  
OPERATING TEMP: -65°C TO +250°C  
PROCESSING TEMP: 260°C MAX FOR 20 SECONDS  
AVAILABLE IN OVERALL GOLD ONLY (M PLATING CODE)  
(CONSULT FACTORY FOR OTHER MATERIALS)

- MODIFICATION CODE**
- OMIT FOR STANDARD, EX: 'EBM22DRKH'
  - S38 = BLACK PBT (MATERIAL CODES 'E' OR 'H' ONLY)
  - S81 = GREEN PBT (MATERIAL CODES 'E' OR 'H' ONLY)
  - S328 = BROWN PPS (MATERIAL CODES 'R', 'A', 'F', OR 'C' ONLY)
  - S1098 = BLACK PPS (MATERIAL CODES 'R', 'A', 'F' OR 'C' ONLY)
  - S1954 = .100[2.54] LONGER BODY (P MOUNTING ONLY, STANDARD, DEFAULT COLOR)

- MOUNTING STYLE**
- H = .125" DIA. CLEARANCE HOLES
  - N = NO MOUNTING EARS
  - S = .125" DIA. SIDE MOUNTING
  - I = #4-40 THREADED INSERT
  - F = FLOATING BOBBIN
  - P = .142" DIA CLEARANCE HOLE

**NUMBER OF POSITIONS**  
(CONTACTS PER ROW)

- PLATING**  
**ALL PLATINGS ARE LEAD FREE AND HAVE .000050" NICKEL UNDERPLATE**
- |  |                          |
|--|--------------------------|
| CONTACT SURFACE                        | TERMINATION              |
| B = .000010" GOLD                      | .000100" PURE TIN, MATTE |
| C = .000030" GOLD                      | .000100" PURE TIN, MATTE |
| G = .000010" GOLD                      | .000005" GOLD            |
| Y = .000030" GOLD                      | .000005" GOLD            |
| *E = .000100" PURE TIN, MATTE, OVERALL |                          |
| S = .000010" GOLD OVERALL              |                          |
| M = .000030" GOLD                      | .000010" GOLD OVERALL    |
- \* OVERALL TIN ONLY AVAILABLE ON MATERIAL CODES E, R AND G



**CUSTOMER COPY**

UNLESS OTHERWISE SPECIFIED: DIMENSIONS ARE IN INCHES [MM]	DRAWN	DATE	NAME	
		1/8/2014	JHSU	
TOLERANCES: ANGULAR: ± 1° DECIMALS .XX= ± .02 [.5] .XXX= ± .005 [.13] .XXXX= ± .0005 [.013]	<small>THE INFORMATION HEREIN CONTAINS PROPRIETARY INFORMATION OF SULLINS ELECTRONICS AND IS NOT TO BE REPRODUCED, USED OR DISCLOSED TO OTHERS FOR ANY PURPOSE EXCEPT AS SPECIFICALLY AUTHORIZED IN WRITING BY AN OFFICER OF SULLINS ELECTRONICS.</small>			TITLE
				EDGE CARD, .156 CC, LP
PART NUMBER				REV
M DRK -(S38,S81,S328,S1098,S1954)				E
SIZE	CAGE CODE	DWG. NO.		
C	54453	C11120		
SCALE: 2:1		SHEET 3 OF 3		