

# RFID Patch Antenna

**APAES923R4560C16-T**

RoHS/RoHS II compliant



45.0 x 45.0 x 6.0mm

MSL level: Not Applicable

## FEATURES:

- High Gain
- Pin type
- Customization Available
- RoHS Compliance

## TYPICAL APPLICATIONS:

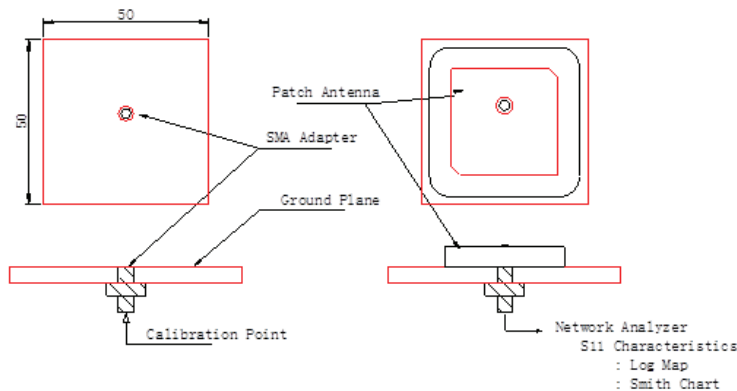
RFID systems for Logistic & Inventory Management of Retail, Pharmaceutical, Automotive Industries; Industrial automation, Contactless smart cards.

## STANDARD SPECIFICATIONS:

Parameters	Min.	Typ.	Max.	Units	Note
Receiving Frequency Range	915		930	MHz	
Center Frequency <sup>(*)</sup>	923			MHz	(On 50*50mm GND Plane)
Bandwidth	7			MHz	(Return loss $\leq$ 10dB)
Gain		2.5		dBic	(Peak gain on (On 70*70mm GND Plane facing Zenith.)
Axial Ratio			2.5	dB	
VSWR @ Center Frequency			1.5		
Polarization Model	RHCP				(Right Hand Circular Polarization)
Impedance	50			$\Omega$	
Frequency Temperature Coefficient	-10		10	ppm/ $^{\circ}$ C	

(\*) Application environment, including size of the ground plane, proximity to adjacent components, etc., will affect stated performance. Fine tuning might be required when installed on end-customer's PCB. Abracon offers Antenna Optimization Service, please contact Abracon.

## TEST CONDITIONS & TEST SETUP:



## STRUCTURE AND MATERIAL

Description	Material
Antenna Substrate	Dielectric Ceramics
Pin	Copper and tinplated
Electrode	Ag Plated
Ground Plane	Ag Plated
Adhesive Type	NITTO 5000NS

# RFID Patch Antenna

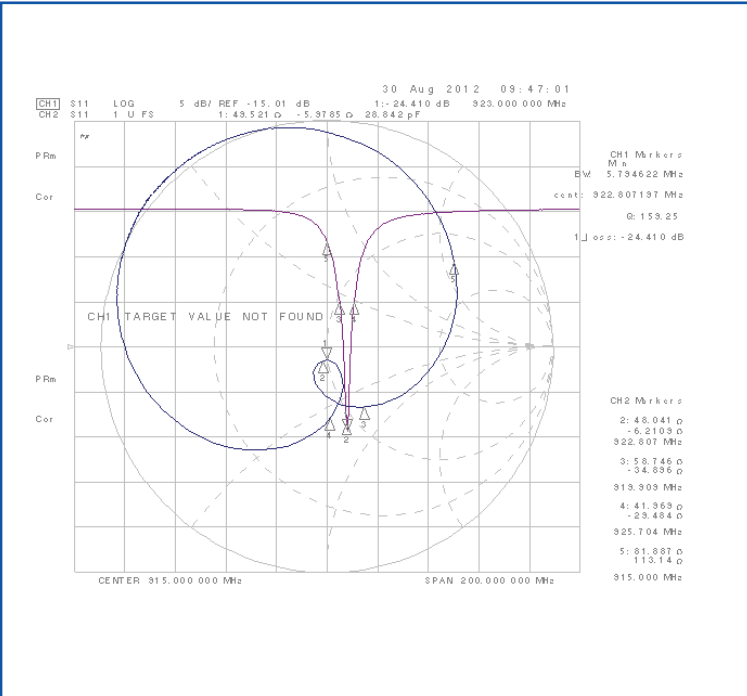
APAES923R4560C16-T

RoHS/RoHS II compliant

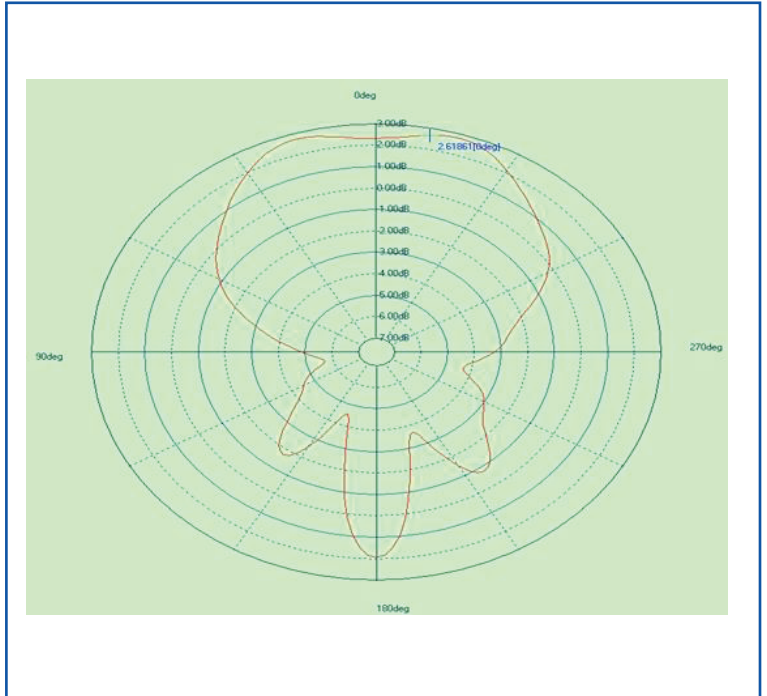


45.0 x 45.0 x 6.0mm

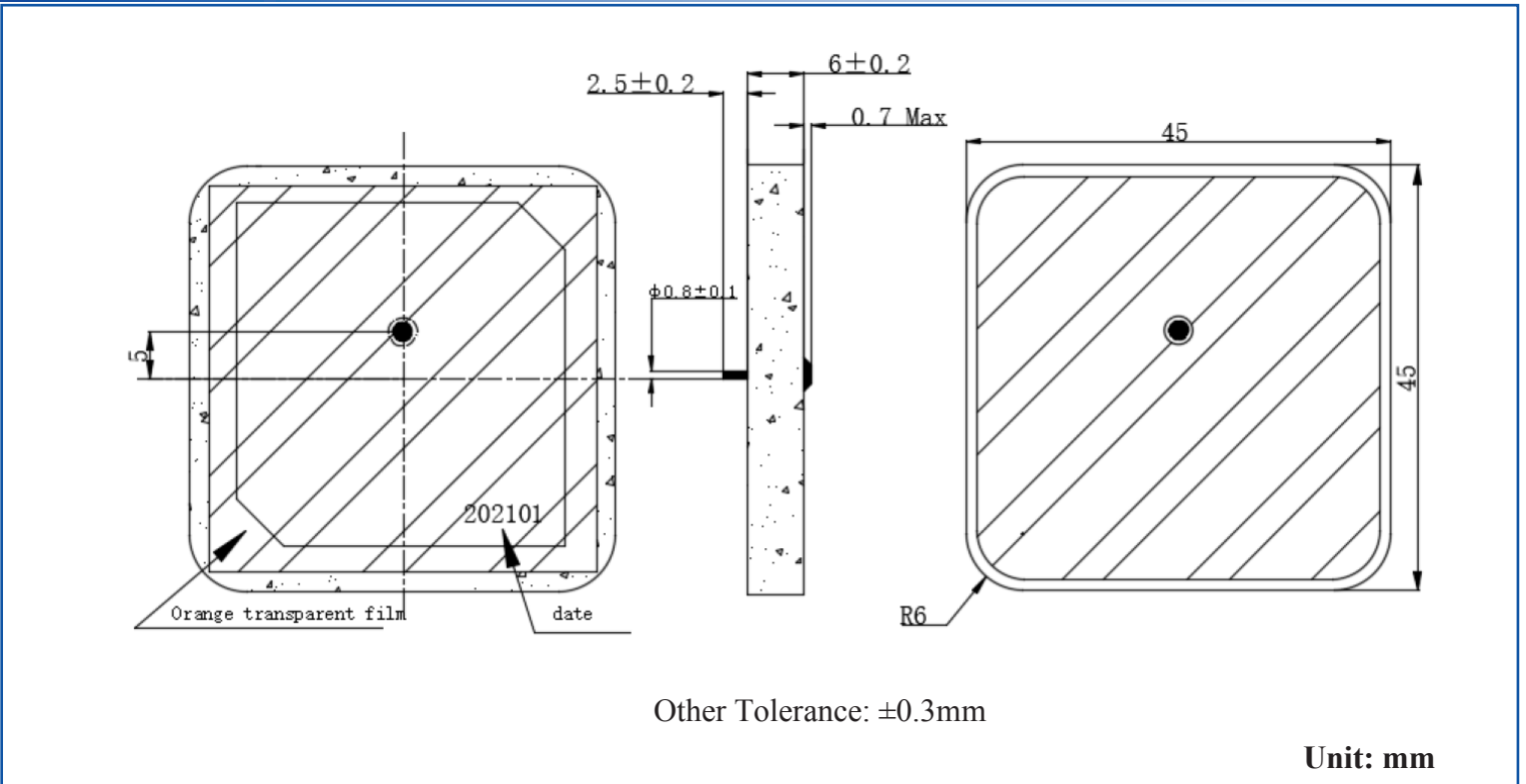
## SMITH CHART



## RADIATION PATTERN



## OUTLINE DIMENSION:



# RFID Patch Antenna

APAES923R4560C16-T

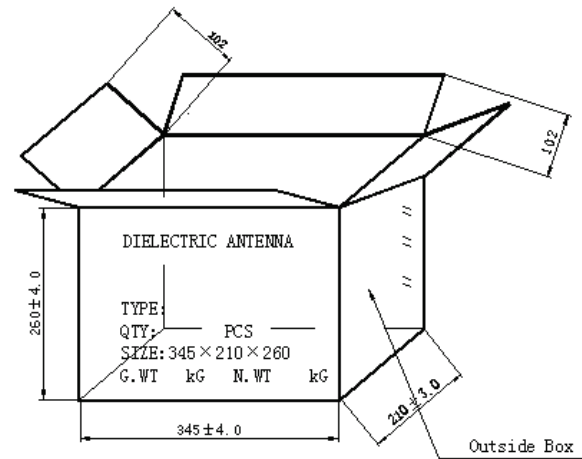
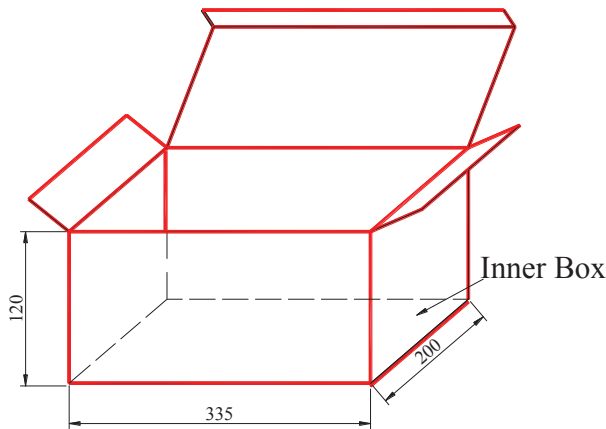
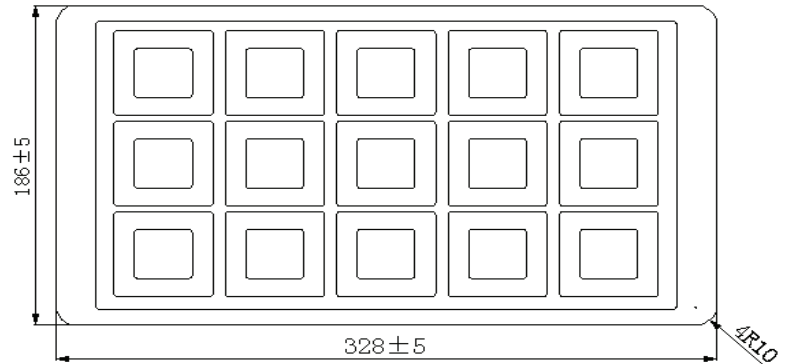
RoHS/RoHS II compliant



45.0 x 45.0 x 6.0mm

## PACKAGING:

Package Type	Quantity
Tray	15 pcs/tray
Inner Box	150 pcs/box
Outer Box	300 pcs/box



## CAUTION:

- (1) Do not apply excess mechanical stress to the component body or terminations. Do not attempt to re-form or bend the components as this will cause damage to the component.
- (2) Do not expose the component to open flame.
- (3) This specification applies to the functionality of the component as a single unit. Please insure the component is thoroughly evaluated in the application circuit.

## NOTE:

- 1) The parts are manufactured in accordance with this specification. If other conditions and specifications which are required for this specification, please contact ABRACON for more information.
- 2) ABRACON will supply the parts in accordance with this specification unless we receive a written request to modify prior to an order placement.
- 3) In no case shall ABRACON be liable for any product failure from in appropriate handling or operation of the item beyond the scope of this specification.
- 4) When changing your production process, please notify ABRACON immediately.
- 5) ABRACON Corporation's products are COTS – Commercial-Off-The-Shelf products; suitable for Commercial, Industrial and, where designated, Automotive Applications. ABRACON's products are not specifically designed for Military, Aviation, Aerospace, Life-dependant Medical applications or any application requiring high reliability where component failure could result in loss of life and/or property. For applications requiring high reliability and/or presenting an extreme operating environment, written consent and authorization from ABRACON Corporation is required. Please contact ABRACON Corporation for more information.
- 6) All specifications and Marking will be subject to change without notice.

**ATTENTION:** Abracon LLC's products are COTS – Commercial-Off-The-Shelf products; suitable for Commercial, Industrial and, where designated, Automotive Applications. Abracon's products are not specifically designed for Military, Aviation, Aerospace, Life-dependent Medical applications or any application requiring high reliability where component failure could result in loss of life and/or property. For applications requiring high reliability and/or presenting an extreme operating environment, written consent and authorization from Abracon LLC is required. Please contact Abracon LLC for more information.

ABRACON IS  
ISO9001-2015  
CERTIFIED



REVISED: 07/19/2021

Headquarters:

5101 Hidden Creek Ln Spicewood TX 78669 Phone: 512-371-6159

| Fax: 512-351-8858