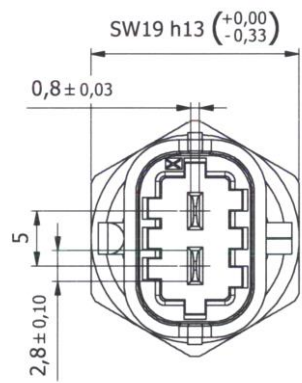
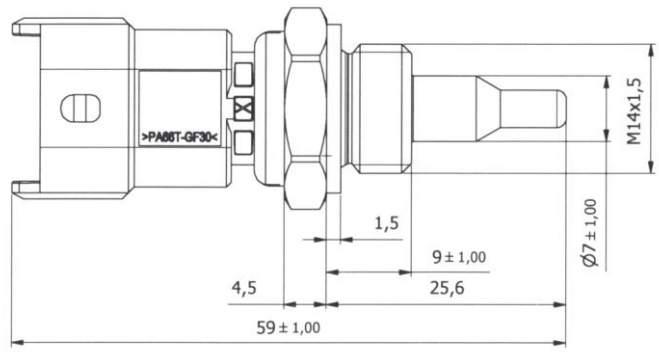


# Temperature sensor

## 94085

NTC Sensor, thermally decoupled



Connector		Dimensions	
			
<b>Media</b>	Liquid media e.g. water, oil	<b>Connector</b>	Bosch Compact (D 928 002 69A), Female connector on request
<b>Nominal resistance</b>	2,055 Ω (25 °C), 186,5 Ω (100 °C)	<b>Sealing ring</b>	Al-seal, captive
<b>Temperature range</b>	- 40 °C to + 150 °C	<b>Protection range</b>	IP 6K9K
<b>Time of response</b>	T63 < 4s (water) T90 < 6s (water)	<b>Order number</b>	94085 00910
<b>Thread</b>	M14 x 1.5	<b>Housing</b>	Stainless steel