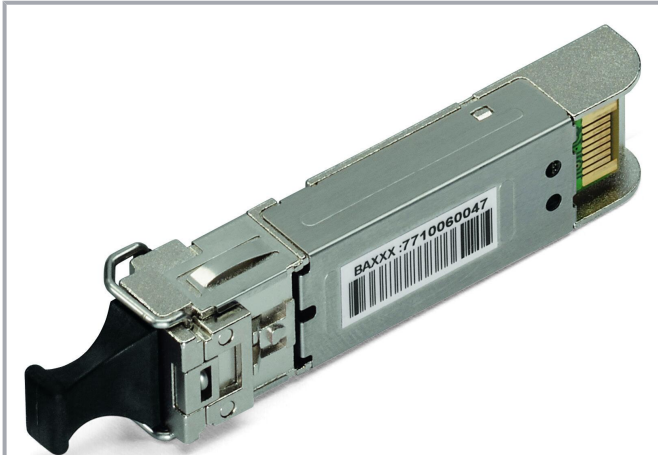


Data sheet | Item number: 852-202

SFP Module 100BASE; FX Multi-Mode 1310 nm LC; 2 km; DDM; Extreme; silver-colored

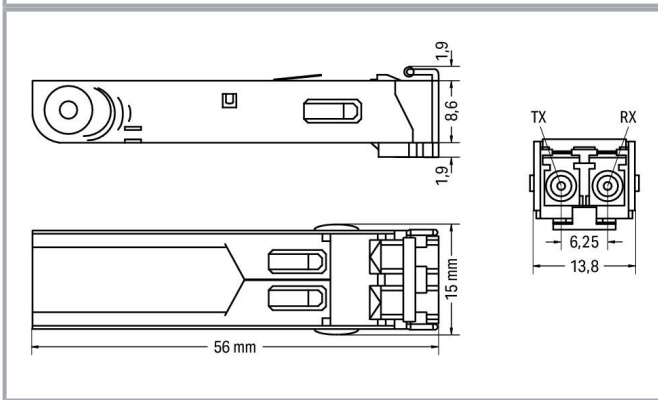
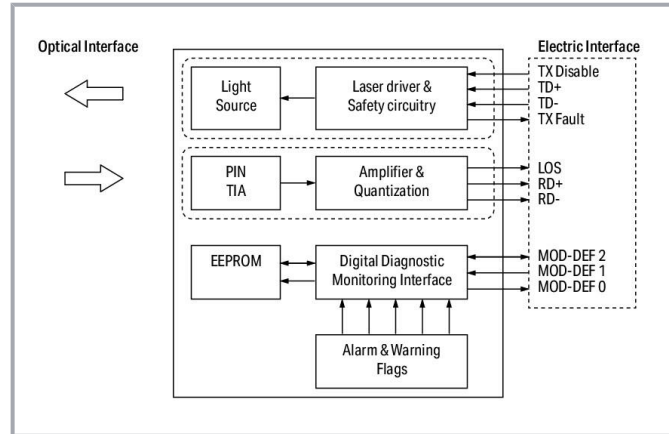


www.wago.com/852-202



i Picture differs from the item.

Color:



Item description

Features:

- Low Power
- Coated PCB
- Extended surrounding air temperature: -40 ...100 °C

Subject to changes. Please also observe the further product documentation!

WAGO GmbH & Co. KG
Hansastr. 27
32423 Minden
Phone: +49571 887-0 | Fax: +49571 887-169
Email: info.de@wago.com | Web: www.wago.com

Do you have any questions about our products?
We are always happy to take your call at +49 (571) 887-44222.

- High impulse withstand voltage: 1.2 KVDC
- Duplex LC optical connector
- Small Form-Factor Pluggable (SFP) industry-standard design
- 125Mbps IEEE802.3u 100BASE-FX
- Compliant with Fast ETHERNET standard
- Differential LVPECL inputs and outputs
- Supply voltage: 3.3 V
- TTL signal detect indicator
- Hot-pluggable capability

Data

Technical data

Optical fiber type	Multi-mode
--------------------	------------

Connection data

Connection technology: communication/fieldbus	1 x SFP; LC fiber-optic connector
Connection requirement (permissible cable length)	2,000 m
Connection requirement (permissible cable type)	Multi-mode fiber 62.5/125 µm, 50/125 µm; Wavelength: 1310 nm

Physical data

Width	13.8 mm / 0.543 inches
Height	8.6 mm / 0.339 inches
Depth	56 mm / 2.205 inches

Mechanical Data

Weight	17 g
Color	silver-colored

Environmental requirements

Ambient temperature (operation)	-40 ... +100 °C
Ambient temperature (storage)	-40 ... +100 °C

Commercial data

ETIM 8.0	EC000309
ETIM 7.0	EC000309
PU (SPU)	1 pcs

Subject to changes. Please also observe the further product documentation!




Packaging type	box
Country of origin	TW
GTIN	4055143394192
Customs tariff number	85176200000

Environmental Product Compliance

RoHS Compliance Status	Compliant, No Exemption
------------------------	-------------------------

Approvals / Certificates

General approvals

Logo	Approval	Additional Approval Text	Certificate name
	EAC Brjansker Zertifizierungsstelle	TP TC 020/2011	EAC RU C-DE.AM02.B.00087 /19

Downloads

Documentation

Additional Information

Disposal and Recycling Electrical and electronic equipment, Batteries, Packaging	V 1.1.0 2022 Aug 18	pdf 2.2 MB	Download
---	------------------------	---------------	----------

Environmental Product Compliance

Compliance Search

Environmental Product Compliance 852-202 SFP Module 100BASE; FX Multi-Mode 1310 nm LC; 2 km; DDM; Extreme; silver-colored	URL	Download
--	-----	----------

Installation Notes

Subject to changes. Please also observe the further product documentation!