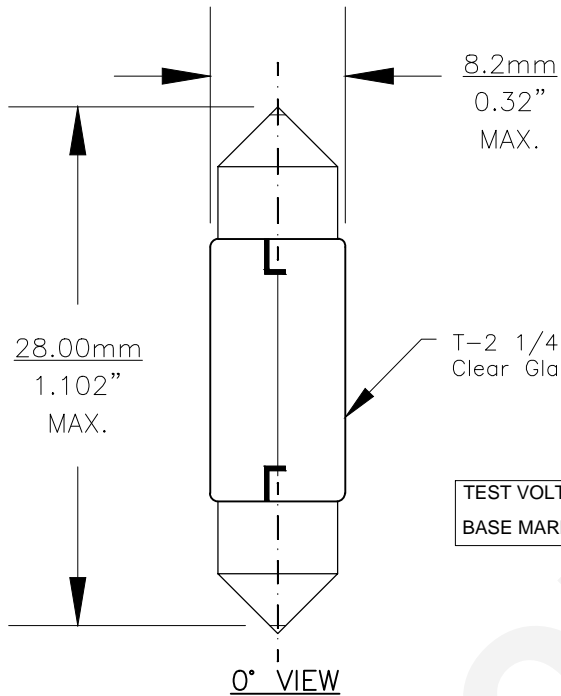
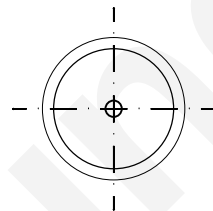
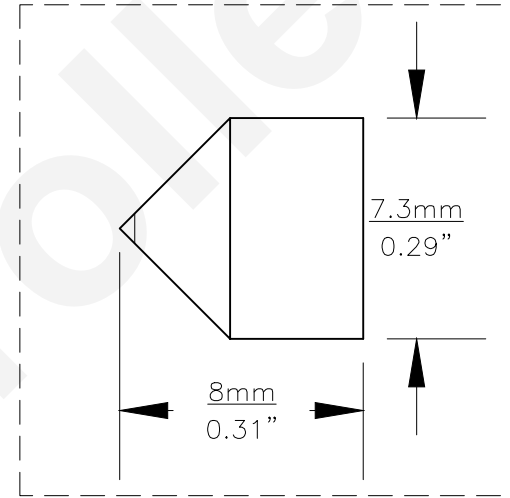




PART NO.	BASE TYPE	DESIGN VOLTS	DESIGN WATTS	LUMENS	FILAMENT TYPE	AVERAGE LIFE HOURS	REVISIONS			
							REV #	DESCRIPTION	DATE	APPROVED
6428	FESTOON CAP SV 7-8	12.0V	3.5±10%	29±20%	C-8	200	1	ISSUED	05/22/2009	M.L.
							1	ADDED VIEWS	04/05/2016	R.M.



TEST VOLTAGE: 13.5V
BASE MARK: 12V 3.5W



Note: Made according to SAE specifications

UNLESS OTHERWISE SPECIFIED: DIMENSIONS ARE IN INCHES TOLERANCES		CEC INDUSTRIES LTD			
DECIMALS	ANGULAR	599 BOND STREET		LINCOLNSHIRE, IL 60069	
.XX ± .05	± 0.5°				
.XXX ± .010					
FRACTIONAL	± 1/64				
DRAWN MIN LIU	DATE 05/22/2009	TITLE LIGHT BULB NO. 6428			
CHECKED	SIZE A	FSCM NO.	DWG NO. 6428	REV 2	
DESIGN	SCALE	PLOT SCALE	SHEET 1 OF 1		
MATERIAL	FILE 6428.pdf	DRAWING NOT TO SCALE			