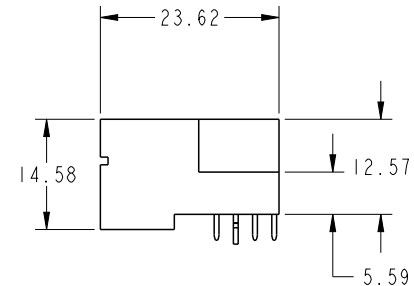
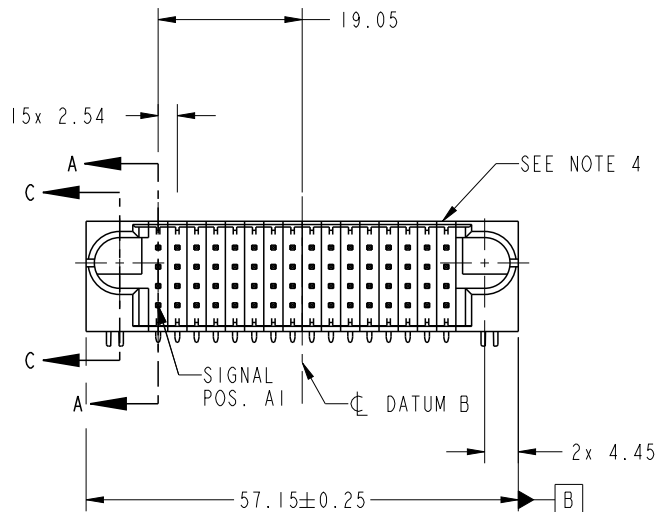


PRODUCT NO.	ROWS	SIGNAL															
		E1	1	2	3	4	5	6	7	8	9	10	11	12	13	14	15
51939-842-- NOTE 3	D C B A																



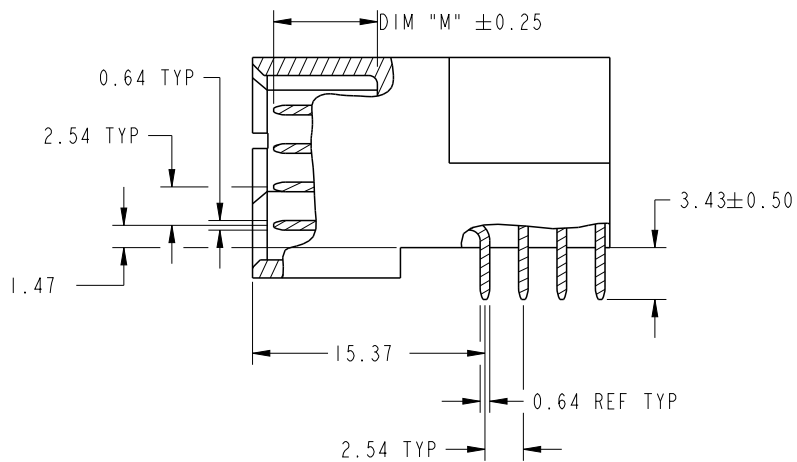
CODE	DIM "M" MATING LENGTH	CONTACT TYPE
U	[6.86]	SIGNAL
T	[6.86]	SIGNAL
S	[6.86]	SIGNAL
E	[5.59]	SIGNAL
R	[6.86]	SIGNAL
HA	[N/A]	HOLD-DOWN

spec ref	*	dr	Julia Wang	2014/03/20	projection	MM	size	A4	scale	1:1			
tolerance std	ASME Y14.5	eng	De-Ming Lu	2014/04/15			ecn no	-					
TOLERANCES UNLESS OTHERWISE SPECIFIED		chr	-	-	product family			PwrBlade	rel level	Released			
surface	✓ ASME Y14.5	appr	Pei-Ming Zheng	2014/04/15	www.fci.com	title	64S		dwg no	51939-842		rev	A
linear		0.X	±0.5	0.XX			±0.25	0.XXX		±0.1	RIGHT ANGLE SOLDER HEADER		Product - Customer Drw
angular	0°	±2°		cat. no.		-		Product - Customer Drw		sheet 1 of 4			

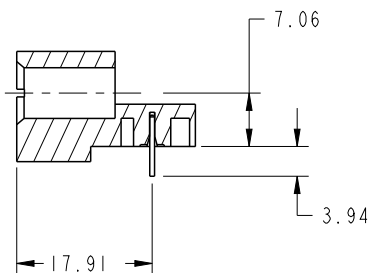


PRODUCT NUMBER

51939-842--
NOTE: 3



BROKEN-OUT SECTION A-A
SCALE 2:1

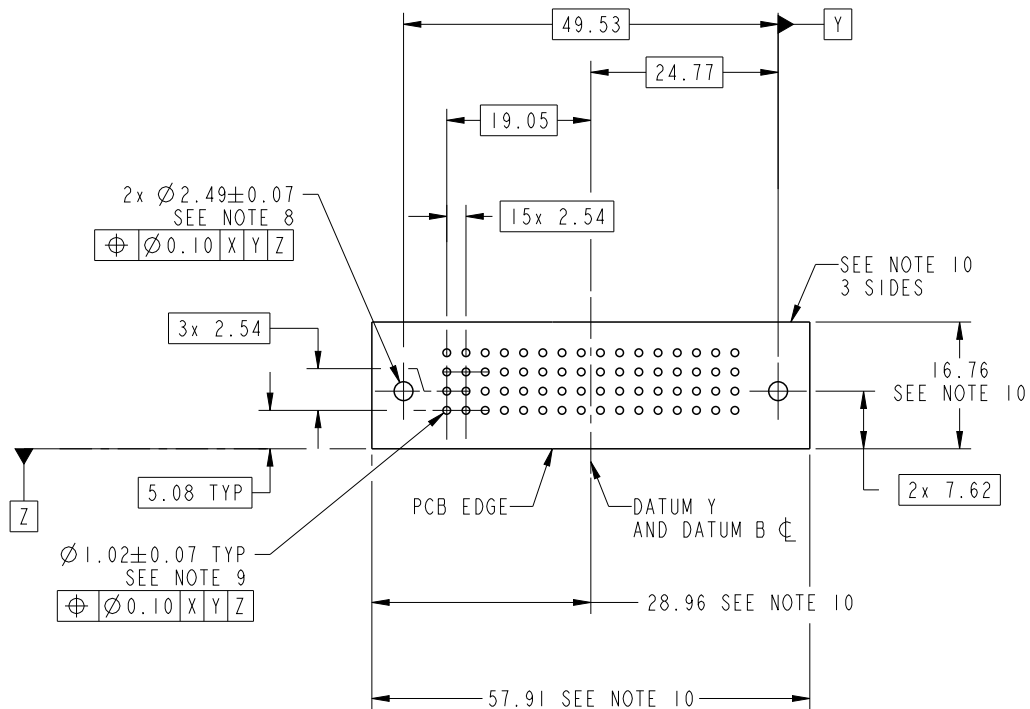


SECTION C-C

dr	Julia Wang	2014/03/20	projection 	MM 	size	A4	scale	1:1	
eng	De-Ming Lu	2014/04/15			ecn no	-			
chr	-	-			rel level	Released			
appr	Pei-Ming Zheng	2014/04/15	product family	PwrBlade					
		title	64S RIGHT ANGLE SOLDER HEADER		dwg no	51939-842		rev	A
www.fci.com		cat. no.	-		Product - Customer Drw			sheet 2 of 4	

PRODUCT NUMBER

51939-842__
NOTE: 3



RECOMMENDED PCB LAYOUT

dr	Julia Wang	2014/03/20	projection 	MM 	size	A4	scale	1:1
eng	De-Ming Lu	2014/04/15			ecn no	-		
chr	-	-			rel level	Released		
appr	Pei-Ming Zheng	2014/04/15	product family	PwrBlade				
	title	64S RIGHT ANGLE SOLDER HEADER		dwg no	51939-842		rev	A
www.fci.com	cat. no.	-	Product - Customer Drw		sheet 3 of 4			

PRODUCT NUMBER

51939-842__
NOTE: 3

NOTES:

1. DIMENSIONS AND TOLERANCES ARE IN ACCORDANCE WITH ASME Y14.5M, 1994 UNLESS OTHERWISE SPECIFIED.

CONNECTOR NOTES:

- 2. HOUSING MATERIAL: UL 94 V-0 GLASS FILLED HIGH-TEMP THERMOPLASTIC
POWER CONTACT MATERIAL: COPPER ALLOY
SIGNAL PIN MATERIAL: COPPER ALLOY
- 3. SEE ITEM 1 & 2 IN PRINT 10064183 FOR PLATING SPEC OF 51939-842 AND 51939-842LF RESPECTIVELY.
- 4. MANUFACTURER'S NAME, DATE CODE AND OPTIONAL P/N TO APPEAR ON THIS SURFACE. THE MARK CAN BE OMITTED IF THERE IS NOT ENOUGH SPACE ON THIS SURFACE.
- 5. PRODUCT SPECIFICATION GS-12-149.
APPLICATION SPECIFICATION BUS-20-067.
- 6. PACKAGED IN TRAYS.

PCB NOTES:

- 7. ALL HOLE DIAMETERS ARE FINISHED HOLE SIZE.
- 8. MOUNTING HOLES, WHERE APPLICABLE, ARE UNPLATED.
- 9. $\varnothing 1.151 \pm 0.025$ DRILLED HOLES PLATED WITH 0.008 MIN SnPb OR Sn OVER 0.03 TO 0.08 Cu PLATING TO ACHIEVE $\varnothing 1.02 \pm 0.07$ HOLE.
- 10. CONNECTOR KEEP-OUT ZONE.



Copyright FCI.

dr	Julia Wang	2014/03/20	projection 	MM 	size	A4	scale	1:1		
eng	De-Ming Lu	2014/04/15			ecn no	-				
chr	-	-			product family	PwrBlade	rel level	Released		
appr	Pei-Ming Zheng	2014/04/15			title	64S RIGHT ANGLE SOLDER HEADER	dwg no	51939-842	rev	A
www.fci.com		cat. no.	-	Product - Customer Drw			sheet 4 of 4			