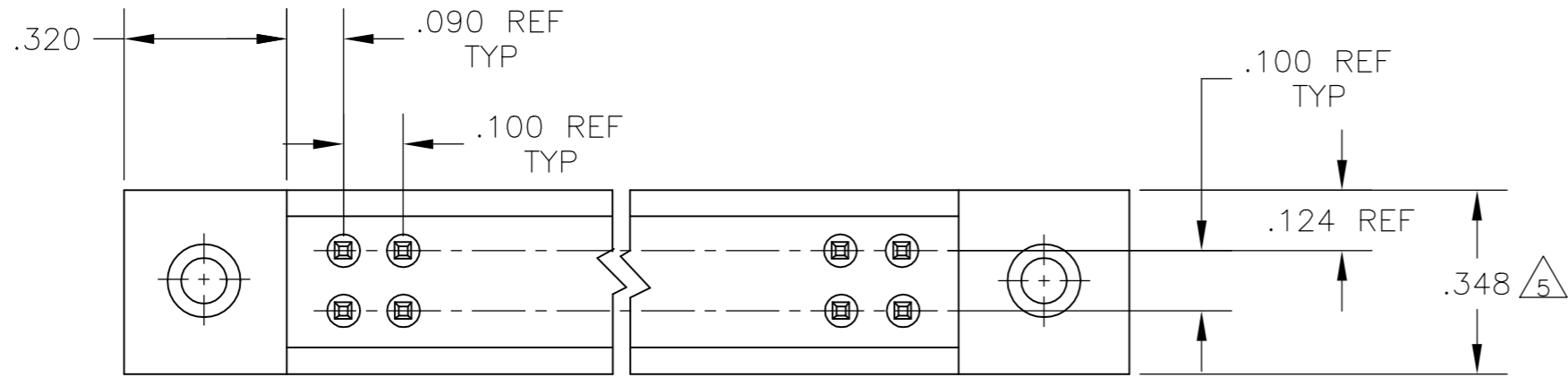
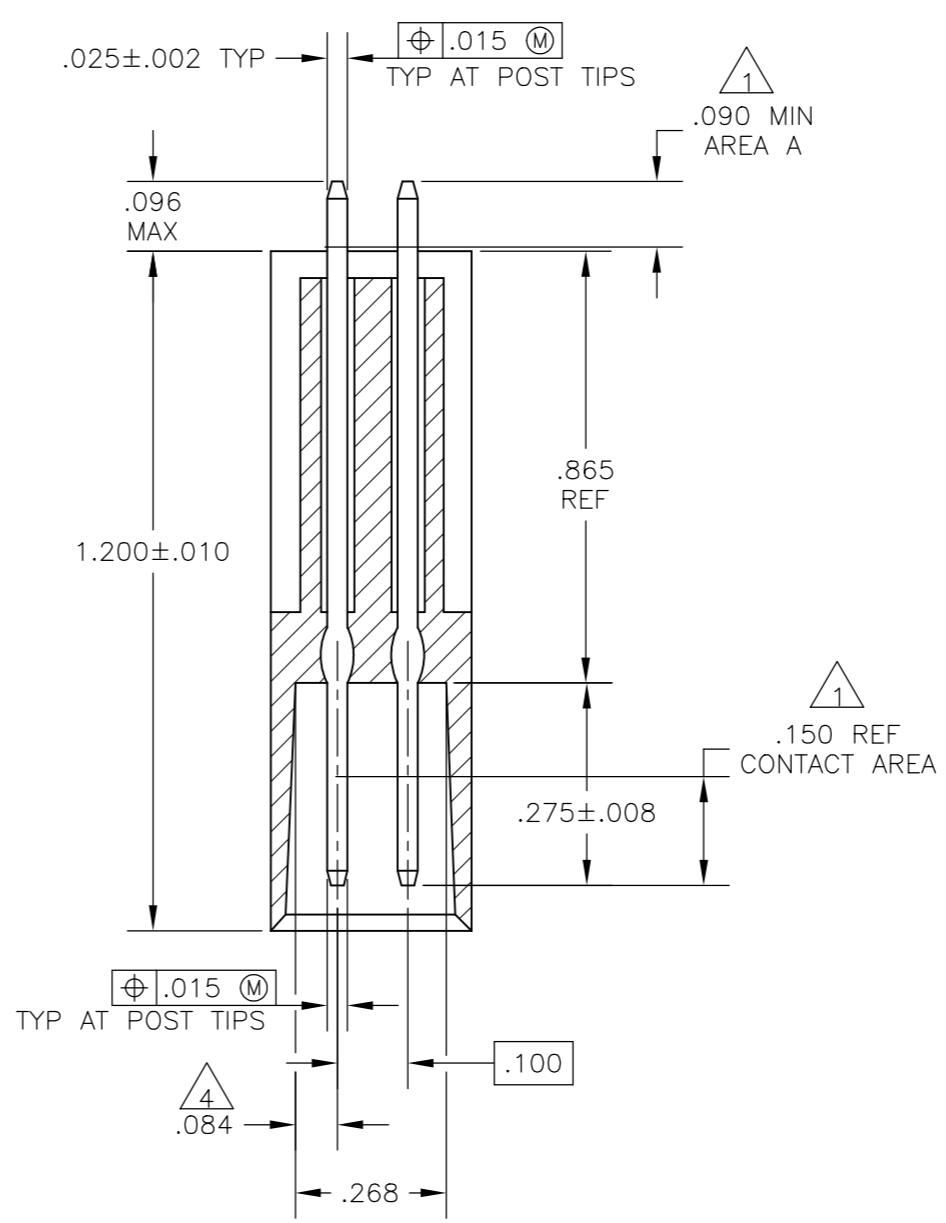
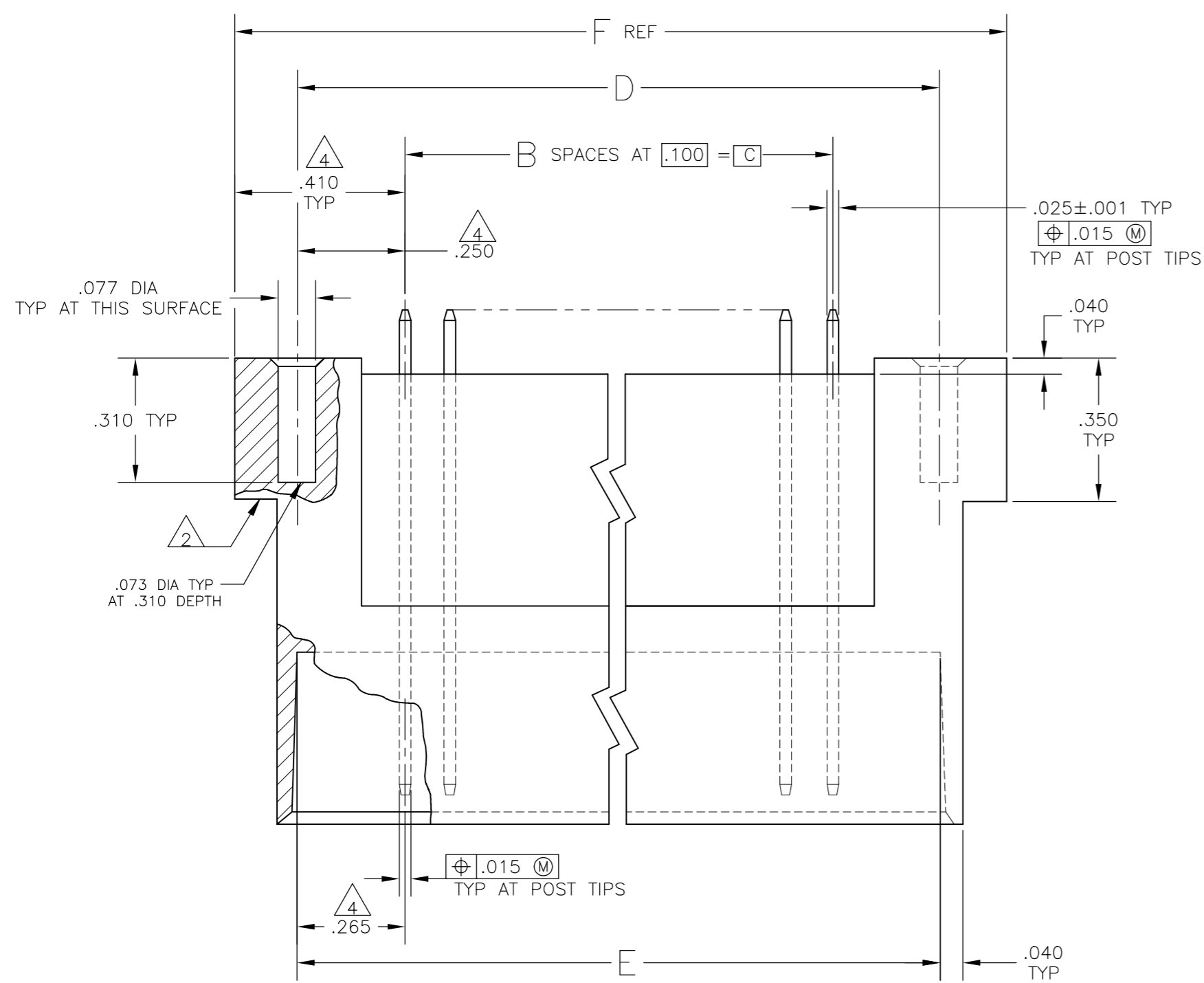


THIS DRAWING IS UNPUBLISHED. RELEASED FOR PUBLICATION
 © COPYRIGHT - TE Connectivity Ltd. ALL RIGHTS RESERVED.

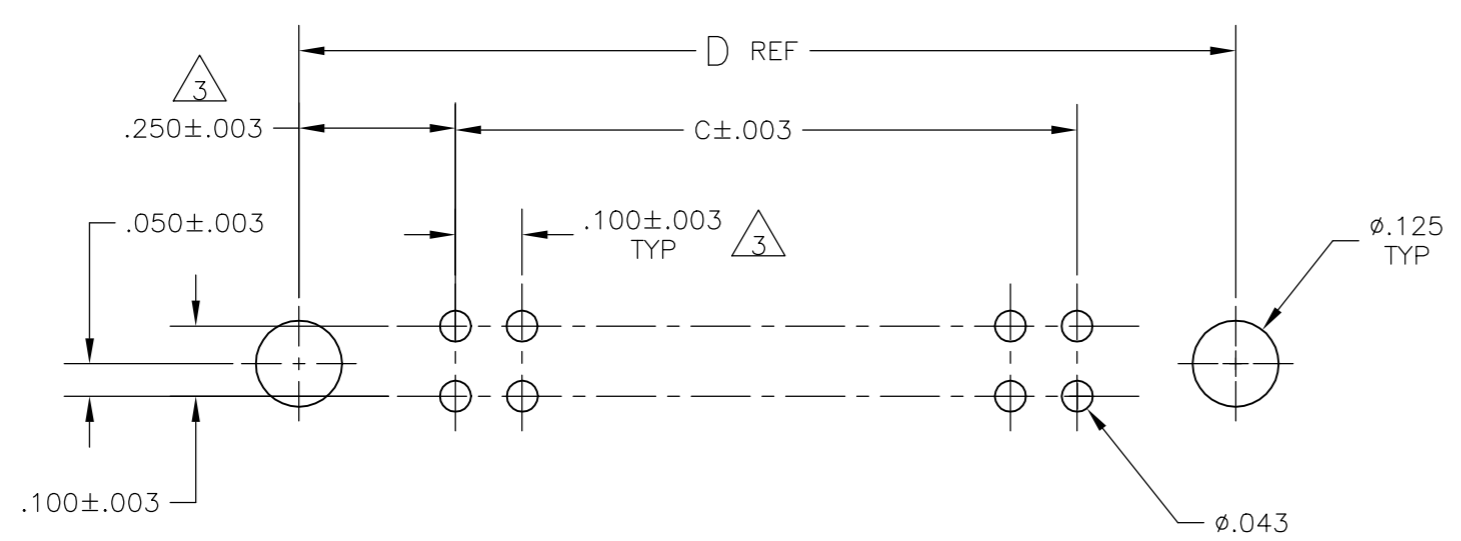
REVISIONS					
P	LTR	DESCRIPTION	DATE	DWN	APVD
	G1	PART STATUS UPATED IN PART LIST TABLE	16FEB2018	SD	PS



- 1 .000015 GOLD ON CONTACT AREA, .000100-.000200 MATTE-TIN LEAD IN AREA A, ALL OVER .000050 MIN NICKEL.
- 2 "AMP" TRADEMARK SHALL BE ON PART
- 3 TOLERANCE NON-CUMULATIVE.
- 4 DIMENSION APPLIES AT BASE OF HOUSING.
- 5 DIMENSION APPLIES TO AREA BELOW BASE OF SHROUD.
- 6 OBSOLETE PART NUMBER
- 7 .000015 GOLD ON CONTACT AREA, .000100-.000200 MATTE-TIN IN AREA A, ALL OVER .000050 MIN NICKEL.



TYP SECTION THRU CAVITY



RECOMMENDED HOLE LAYOUT

7	3.320	3.030	3.000	2.500	25	52	5-102826-1
6	1	2.220	1.930	1.900	1.400	14	102826-3
6	1	2.720	2.430	2.400	1.900	19	102826-2
6	1	3.320	3.030	3.000	2.500	25	102826-4
FINISH	F	E	D	C	B	NO OF POSN	PART NUMBER

THIS DRAWING IS A CONTROLLED DOCUMENT.		DWN	17-9-81				
DIMENSIONS: INCHES		CHK	29-9-81				
TOLERANCES UNLESS OTHERWISE SPECIFIED:		APVD	8-10-81	NAME			
0 PLC ± -		PRODUCT SPEC		HEADER ASSY, MOD II, .025 SQ POST, .100 X .100 C/L, DOUBLE ROW			
1 PLC ± -		APPLICATION SPEC		SIZE			
2 PLC ± -		WEIGHT		CAGE CODE			
3 PLC ± .005		CUSTOMER DRAWING		DRAWING NO			
4 PLC ± -		SCALE		RESTRICTED TO			
ANGLES ± 0° 30'		SHEET		REV			
MATERIAL: HSG : 20% FLAME RETARDANT GLASS FILLED NYLON COLOR : BLACK POST : PHOS-BRZ		POSTS : SEE TABLE		A2 00779 C=102826			
		3:1		1 of 1			
		G1					