

REVISIONS

P	LTR	DESCRIPTION	DATE	DWN	APVD
	A	RELEASED	08MAY2017	R.Z	C.W

Transistor & IC Low Profile Sockets

8059 Series



8059-2G7

FEATURES:

The 8059 Series TO-5 transistor sockets are manufactured with a beryllium copper precision four fingered inner contact and brass outer sleeve. Insulators are molded in five brilliant polyamide colors, for rapid visual identification of socket pin count or pin circle. This inexpensive family of transistor sockets is available with either gold or tin/lead sleeves for even more economy.

- Ultra low profile
- Closed entry design -no distortion or damage to contact with misaligned or oversized lead
- Gold plated contacts, choice of gold or tin/lead plated leads
- Sockets accept .016 to .020 (0,41 to 0,51) diameter leads
- Five brilliant colors for easy identification when mounted on PCB
- Closed end sleeve design completely eliminates the possibility of flux or solder wicking into the contact area
- Large tapered entry for easy insertion of transistor devices

MATERIAL SPECIFICATIONS:

Insulator.....Glass filled polyamide nylon, UL rated 94V-0
 SleeveBrass
 ContactBeryllium copper
 Plating
 ContactGold
 SleeveTin/lead or gold

PERFORMANCE SPECIFICATIONS:

MECHANICAL

VibrationPassed MIL-STD-1344, Method 2005, 15 G's, 10 to 2,000 cycles
 Mechanical Shock.....Passed MIL-STD-1344, Method 2004, 10 G's, 1 to 9,000 cycles
 Durability50 Insertions and withdrawals, MIL-S-83502/1, Sec 4.7.12
 Insertion Force4.0 lb. Max., .020 dia. +.0000 probe -.0002
 Withdrawal Force14 Grams (1/2 oz.) min., .016 dia. +.0002 probe -.0001
 SolderabilityMIL-STD-202, Method 208

ELECTRICAL


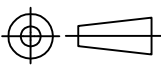
Bulk Contact
 Resistance20 Milliohms max per MIL-S-83502/1
 Current Rating.....3 Amps DC
 Operating Voltage.....750 VDC
 Dielectric Withstading
 Voltage600 VAC per MIL-STD-1344, Method 3001
 Insulation Resistance.....2 x 10⁶ Megohms, MIL-STD-1344, Method 3003
 Capacitance2pF Max., MIL-STD-202, Method 305

ENVIRONMENTAL

Operating Temperature-55°C to +125°C
 Corrosive Atmosphere30 Milliohms, amonium polysulfide 10 ppm per MIL-S-83502/1 sec. 4.7.17
 Moisture Resistance30 Milliohms max., MIL-STD 202, Method 106
 Thermal ShockMIL-STD-1344, Method 1003

Note: Before ordering, see Cross Reference in Section 15 for equivalent Tyco Electronics Part Number.

THIS DRAWING IS UNPUBLISHED. ALL RIGHTS RESERVED. © COPYRIGHT - By -

DIMENSIONS: INCHES	DWN RAMBO ZHANG	08MAY2017	MATERIAL	-	FINISH	-
	CHK SIMON LI	08MAY2017	 TE Connectivity			
TOLERANCES UNLESS OTHERWISE SPECIFIED:	APVD COREL WANG	08MAY2017				
0 PLC ± -	PRODUCT SPEC		NAME 8059 SERIES TRANSISTOR SOCKETS			
1 PLC ± -	-					
2 PLC ± -	APPLICATION SPEC		SIZE	CAGE CODE	DRAWING NO	RESTRICTED TO
3 PLC ± -	-		A4	00779	Ⓒ 4-1437508-4	-
4 PLC ± -	WEIGHT		SCALE NTS SHEET 1 OF 2 REV A			
ANGLES ± -	-					
			CUSTOMER DRAWING			

REVISIONS

P	LTR	DESCRIPTION	DATE	DWN	APVD
		SEE SHEET 1			

Transistor & IC Low Profile Sockets

8059 Series

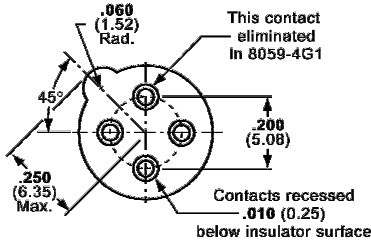


Figure 1

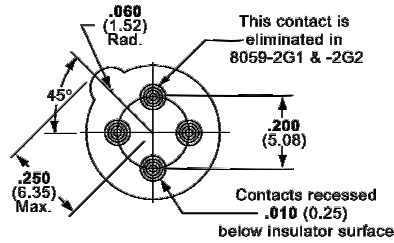


Figure 2

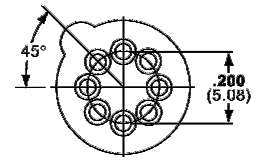


Figure 3

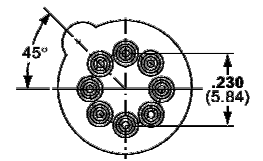


Figure 4

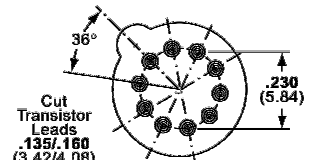


Figure 5

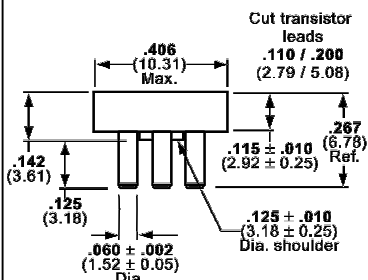


Figure A

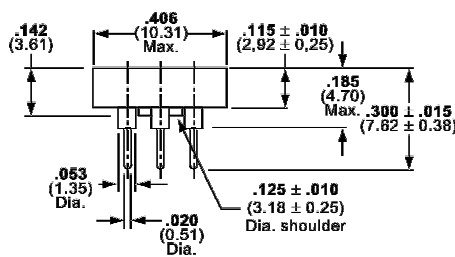


Figure B

PART NUMBER / STANDARD CONFIGURATIONS

Part Number	Figure	Number of Contacts	Pin Circle	Contact Plating	Sleeve Plating	Insulator Color
8059-4G1	1, A	3	.200 (5.08)	Gold	Gold	Red
8059-2G1	2, B			Gold	Gold	
8059-2G2				Gold	Tin/Lead	
8059-4G4	1, A	4	.200 (5.08)	Gold	Gold	Blue
8059-2G3	2, B			Gold	Gold	
8059-2G4	3, B	8	.230 (5.84)	Gold	Tin/Lead	Green
8059-2G5				Gold	Gold	
8059-2G6	4, B	10	.230 (5.84)	Gold	Tin/Lead	Orange
8059-2G7				Gold	Gold	
8059-2G8	5, B	10	.230 (5.84)	Gold	Gold	Yellow
8059-2G9				Gold	Tin/Lead	
8059-2G10				Gold	Tin/Lead	

Note: Before ordering, see Cross Reference in Section 15 for equivalent Tyco Electronics Part Number.

THIS DRAWING IS UNPUBLISHED. ALL RIGHTS RESERVED. BY COPYRIGHT

DIMENSIONS: INCHES	DWN	08MAY2017	MATERIAL	-	FINISH	-			
	CHK	RAMBO ZHANG	08MAY2017	TE Connectivity					
TOLERANCES UNLESS OTHERWISE SPECIFIED:	APVD	SIMON LI	08MAY2017						
	PRODUCT SPEC	APVD	COREL WANG				08MAY2017		
	APPLICATION SPEC	-							
0 PLC ± -	WEIGHT		-		NAME		8059 SERIES		
1 PLC ± -	-		-		TRANSISTOR SOCKETS		-		
2 PLC ± -	-		SIZE	A4	CAGE CODE	00779	DRAWING NO	4-1437508-4	
3 PLC ± -	-		-		RESTRICTED TO		-		
4 PLC ± -	-		-		-		-		
ANGLES ± -	-		-		-		-		
		CUSTOMER DRAWING		SCALE	NTS	SHEET	2 OF 2	REV	A