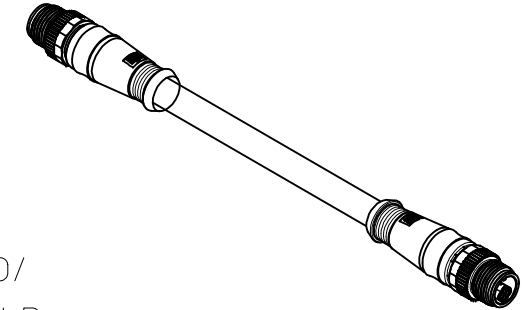
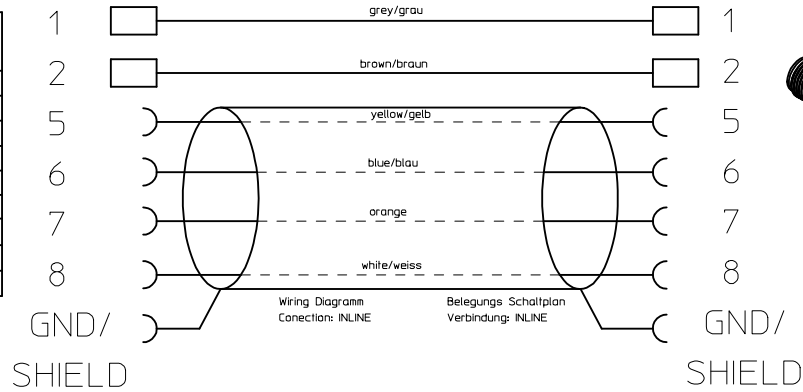
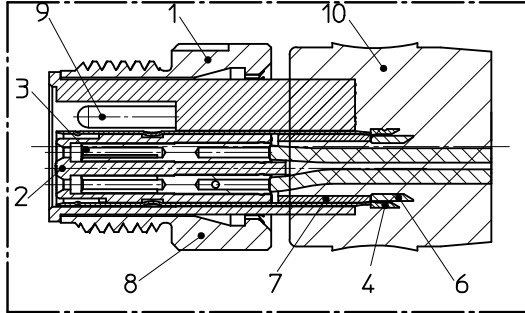


TAB.:1

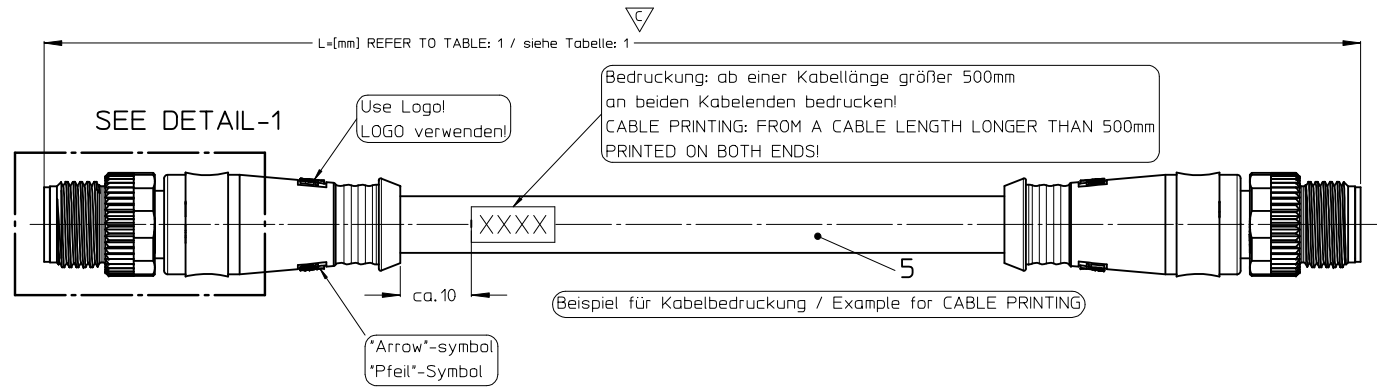
Material No. Material Nr	Cable(5) Kabel (5)	Description Beschreibung	Length(L=mm) Länge (L=mm)	Tolerance Toleranz
1203550002	1203550013	D/E Cordset male straight	250	±10
1203550014	1203550013	D/E Cordset male straight	500	±10
1203550015	1203550013	D/E Cordset male straight	1000	±25
1203550016	1203550013	D/E Cordset male straight	1500	±25
1203550017	1203550013	D/E Cordset male straight	2000	±25
1203550018	1203550013	D/E Cordset male straight	5000	±25
1203550019	1203550013	D/E Cordset male straight	8000	±25
1203550020	1203550013	D/E Cordset male straight	10000	±30
1203550021	1203550013	D/E Cordset male straight	15000	±30



CUTAWAY-1



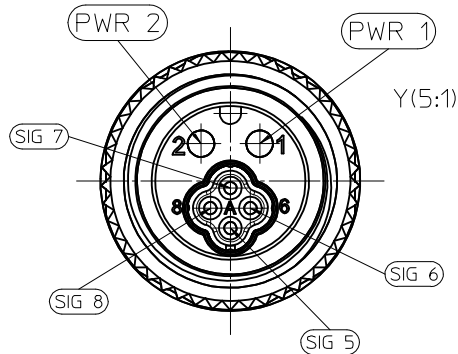
DETAIL-11
SCALE 4:1



Molex Connectivity GmbH <15mm> Material-No. aus Tabelle:1 <15mm> Prod. Datum <15mm> Kabellänge

Pos.	Amount	Description
11	2	Copper tape tinned 10x20mm
10	2	Overmold UL M12 straight-9,2mm
9	4	M12 Contact male turned 15DIA AWG18
8	2	M12 Coupling Screw with Hex Flats
7	2	M12 Hybrid Distance Shell
6	2	Signal braid crimping shell
5	1	CABLE -> See Product Table
4	2	M12 Hybrid Male Cordset Shielding Shell
3	8	M12-BU Contact 12-pol
2	2	M12 Hybrid Insert Signal Male
1	2	M12 Hybrid Male cordset Insert Power

Stückliste/ BOM



Front View of Connector Interface
Draufsicht auf Steckergesicht

ENTER DESCRIPTION EC NO: IFC2016-0466 DRW:RSJLLER 2015/09/25 CHKD:GRJEDL 2015/09/25 APPR:RSJLLER 2015/09/25 A2	QUALITY SYMBOLS ▽=0 ▽=1	GENERAL TOLERANCES (UNLESS SPECIFIED) <table border="1"> <thead> <tr> <th></th> <th>mm</th> <th>INCH</th> </tr> </thead> <tbody> <tr> <td>4 PLACES</td> <td>±---</td> <td>±---</td> </tr> <tr> <td>3 PLACES</td> <td>±---</td> <td>±---</td> </tr> <tr> <td>2 PLACES</td> <td>±0.05</td> <td>±---</td> </tr> <tr> <td>1 PLACE</td> <td>±0.1</td> <td>±---</td> </tr> </tbody> </table> ANGULAR ±0.5°		mm	INCH	4 PLACES	±---	±---	3 PLACES	±---	±---	2 PLACES	±0.05	±---	1 PLACE	±0.1	±---	DIMENSION STYLE MM ONLY	SCALE 2:1	DESIGN UNITS METRIC	THIRD ANGLE PROJECTION
				mm	INCH																
4 PLACES	±---	±---																			
3 PLACES	±---	±---																			
2 PLACES	±0.05	±---																			
1 PLACE	±0.1	±---																			
DRAWN BY RSJLLER DATE 2010/08/11	DATE 2010/08/11	TITLE CSE M12 CHT 6P 4+2P MA FE STR PUR XM DE SHLD BRA AU	APPROVED BY EROEZDEMIR DATE 2010/08/24	APPROVED BY AVOGT DATE 2010/08/27	MATERIAL NO. SD-120355-002	DOCUMENT NO. 1 OF 2															

DRAFT WHERE APPLICABLE
MUST REMAIN
WITHIN DIMENSIONS

SEE CHART

THIS DRAWING CONTAINS INFORMATION THAT IS PROPRIETARY TO MOLEX INCORPORATED AND SHOULD NOT BE USED WITHOUT WRITTEN PERMISSION

Description:
M12 Hybrid Cordset applications.
Transmission after CAT5e (Signal contacts only)
Special Keyway 4+2

Electrical Data:
Signal: 4 Poles
Max. Voltage: 30V
Max. Current: 0,5A at 55°C
Contact Resistance: <5 mOhm
Insulation Resistance: >100 MOhm
Impedance: 100 Ohm
HF performance testing: limits class D/CAT5e,
according ISO IEC 11801/TIA-568-C.2 "Permanent Link"

Power: 2 Poles
Max. Voltage: 60V
Max. Current: 12A
Contact Resistance: <5 MOhm
Insulation Resistance: >100 MOhm

Environmental:
Protection: IP67
Temperature Range: -25°C to 75°C

Packaging:
The cordset is packed and shipped out in a cardbox.

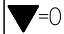
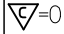
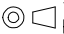

Beschreibung:
M12 Hybrid Kabelsatz Anwendung
CAT5e Übertragung (nur Signalkontakte)
Spezialkodierung 4+2

Elektrische Data:
Signal: 4 Pol
Max. Spannung: 30V
Max. Strom : 0,5A bei 55°C
Kontaktwiderstand: <5 mOhm
Isolationwiderstand: >100 MOhm
Impedanz: 100 Ohm
HF Leistungstest: Grenzbereich Klasse D/CAT5e,
nach ISO IEC 11801/TIA-568-C.2 "Dauerhafte Verbindung"

Power: 2 Pol
Max. Spannung: 60V
Max. Strom: 12A
Kontaktwiderstand: <5 mOhm
Isulationswiderstand: >100 MOhm

Umgebung:
Schutzklasse: IP67
Temperaturbereich: -25°C bis 75°C

Verpackung:
Der Kabelsatz wird in einer Kartonagebox versand.

ENTER DESCRIPTION EC NO: IFC2016-0466 DRW:RSILLER 2015/09/25 CHKD:GRUEDL 2015/09/25 APPR:RSILLER 2015/09/25	QUALITY SYMBOLS  	GENERAL TOLERANCES (UNLESS SPECIFIED)		DIMENSION STYLE MM ONLY		SCALE 2:1	DESIGN UNITS METRIC	 THIRD ANGLE PROJECTION
		4 PLACES ± --- ± ---	DRAWN BY RSILLER	DATE 2010/08/11	TITLE CSE M12 CHT 6P 4+2P MA FE STR PUR XM DE SHLD BRA AU 			
		3 PLACES ± --- ± ---	CHECKED BY EROEZDEMIR	DATE 2010/08/24				
		2 PLACES ± 0.05 ± ---	APPROVED BY AVOGT		DATE 2010/08/27	MATERIAL NO. see page 1	DOCUMENT NO. SD-120355-002	SHEET NO. 2 OF 2
1 PLACE ± 0.1 ± ---	ANGULAR ± 0.5°		DRAFT WHERE APPLICABLE MUST REMAIN WITHIN DIMENSIONS			THIS DRAWING CONTAINS INFORMATION THAT IS PROPRIETARY TO MOLEX INCORPORATED AND SHOULD NOT BE USED WITHOUT WRITTEN PERMISSION		
0 PLACE ± --- ± ---	SIZE A2							