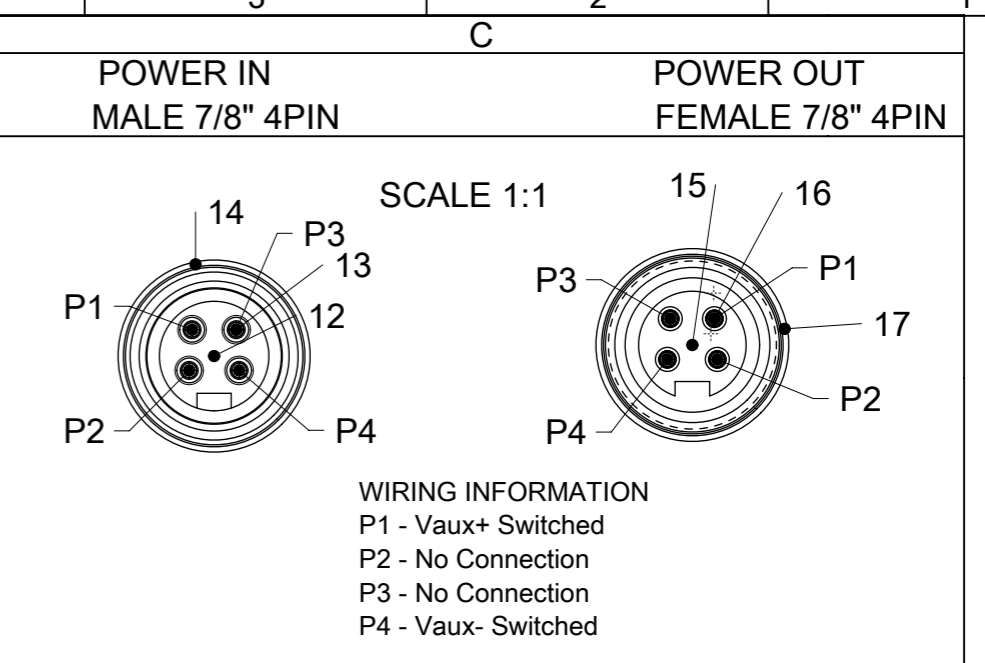
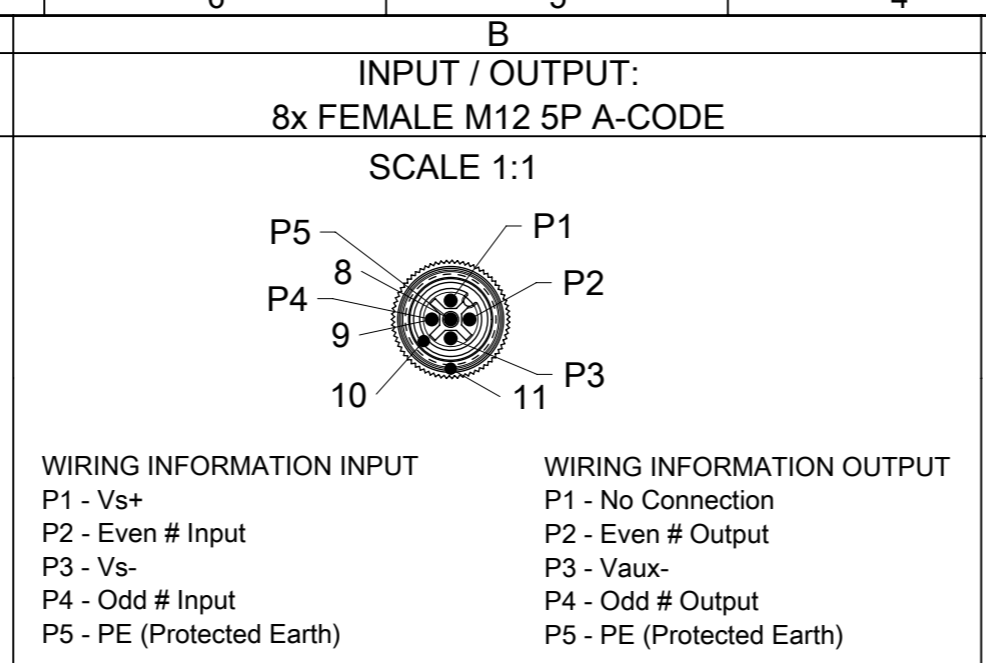
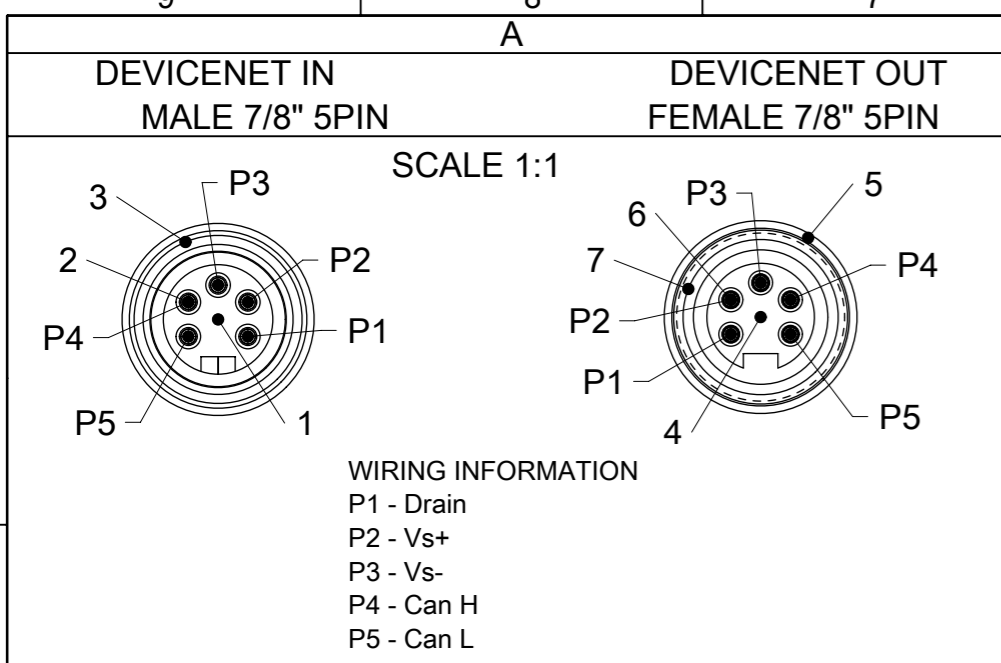


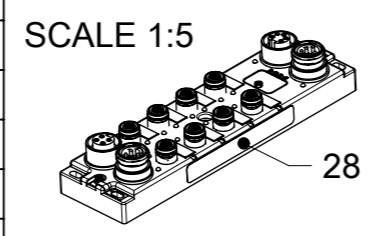
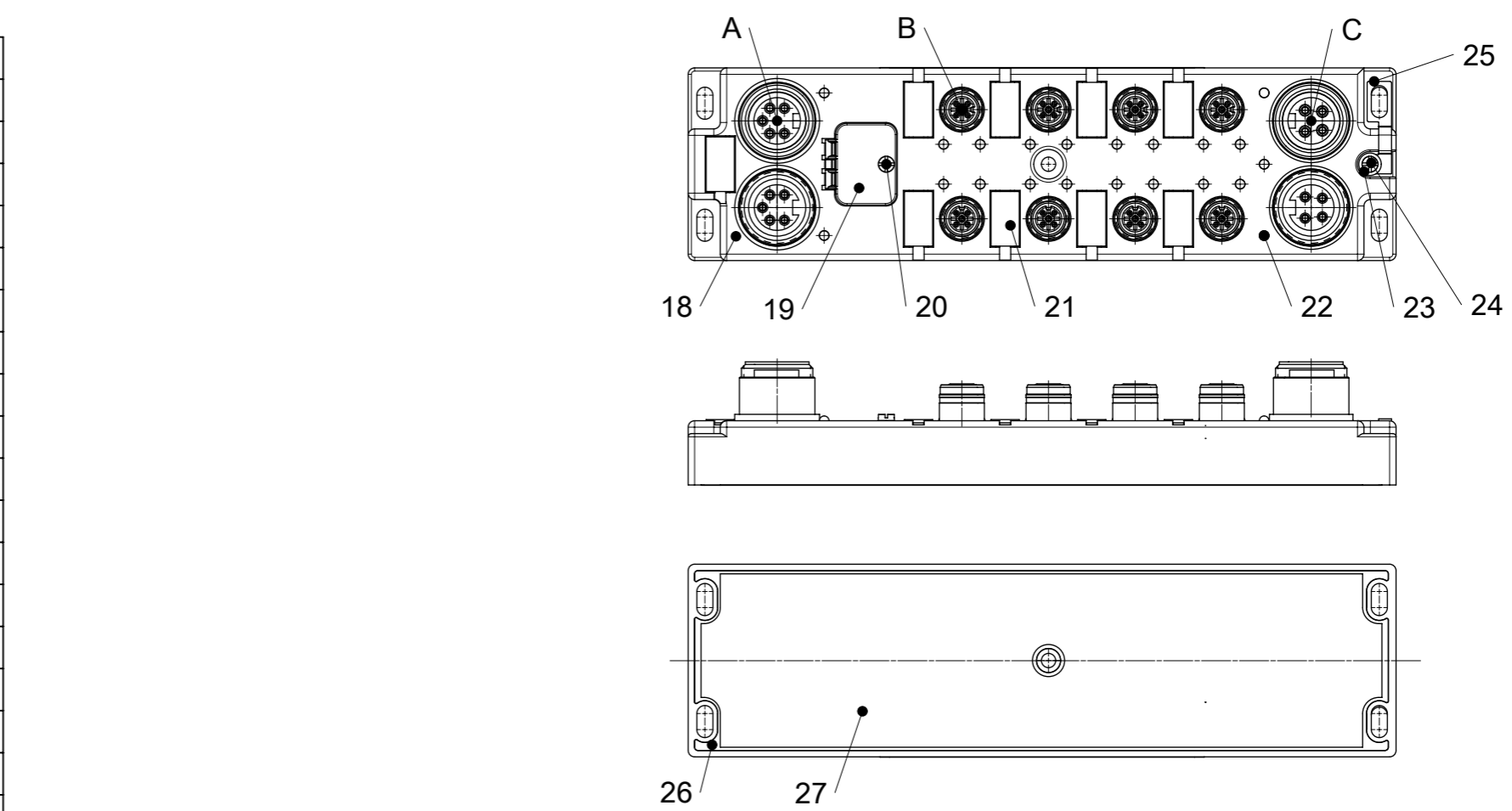
SCALE 1:2

THIS DRAWING CONTAINS INFORMATION THAT IS PROPRIETARY TO MOLEX ELECTRONIC TECHNOLOGIES, LLC AND SHOULD NOT BE USED WITHOUT WRITTEN PERMISSION											
QUALITY SYMBOLS		EC NO: 112857		DRWN: ULETTENMEIER		CHK'D: RSILLER		APPR: RSILLER		REV: A2	
▽A	= 0	2017/01/26		2017/01/26		2017/01/26		2017/01/26		2017/01/26	
▽E	= 0	GENERAL TOLERANCES (UNLESS SPECIFIED)		MM		SCALE		1:1		molex	
▽F	= 0	ANGULAR TOL ± °		DRWN BY		DATE		ULETTENMEIER		2015/01/19	
▽	= 0	4 PLACES ±		CHK'D BY		DATE		RSILLER		2015/06/25	
▽C	= 0	3 PLACES ±		APPR BY		DATE		RSILLER		2015/06/25	
▽B	= 0	2 PLACES ±		DRAWING SIZE		THIRD ANGLE PROJECTION		A3		PRODUCT CUSTOMER DRAWING	
▽	= 0	1 PLACE ± 0.3		SERIES		MATERIAL NUMBER		CUSTOMER		GENERAL MARKET	
▽X	= 0	0 PLACES ± 0.5		112092		1120920020		GENERAL MARKET			
▽	= 0	DRAFT WHERE APPLICABLE MUST REMAIN WITHIN DIMENSIONS		DOCUMENT NUMBER		DOC TYPE		DOC PART		SHEET NUMBER	
▽	= 0			1120920020		PSD		000		1 OF 3	



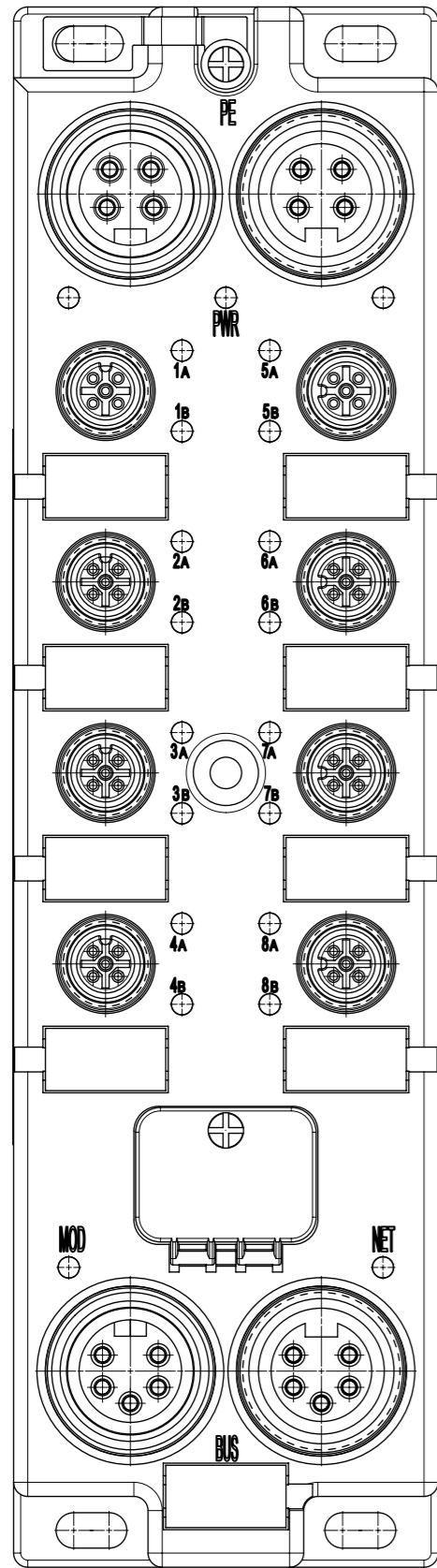
**BILL OF MATERIAL**

ITEM	DESCRIPTION	MATERIAL	FINISH
1	INSERT	TPE	GREY
2	CONTACT	COPPER ALLOY	NI AU
3	SHELL	BRASS	NICKEL PLATET
4	INSERT	TPE	GREY
5	GASKET	FPM	RED
6	CONTACT	COPPER ALLOY	GOLD OVER NICKEL
7	SHELL	BRASS	NICKEL PLATET
8	INSERT	TPU	BLACK
9	CONTACT	COPPER ALLOY	GOLD OVER NICKEL
10	GASKET	FPM	RED
11	SHELL	BRASS	NICKEL PLATET
12	INSERT	TPE	YELLOW
13	CONTACT	COPPER ALLOY	GOLD OVER NICKEL
14	SHELL	BRASS	NICKEL PLATET
15	INSERT	TPE	YELLOW
16	CONTACT	COPPER ALLOY	GOLD OVER NICKEL
17	SHELL	BRASS	NICKEL PLATET
18	HOUSING	PBT	BLACK
19	WINDOW	PC	TRANSPARENT
20	SCREW	V2V	V2A
21	LABEL	PC	WHITE
22	FIBER OPTIC	PA	TRANSPARENT
23	WASHER	BRASS	NICKEL PLATET
24	SCREW	V2V	V2A
25	SHIELD PLATE	STAINLESS STEEL	STAINLESS STEEL
26	RESIN	EPOXY	TRANSPARENT
27	LABEL	PVC	WHITE
28	LABEL	PVC	YELLOW



THIS DRAWING CONTAINS INFORMATION THAT IS PROPRIETARY TO MOLEX ELECTRONIC TECHNOLOGIES, LLC AND SHOULD NOT BE USED WITHOUT WRITTEN PERMISSION

<b>QUALITY SYMBOLS</b> ▽A = 0 ▽E = 0 ▽F = 0 ▽ = 0 ▽C = 0 ⊗ = 0 ■ = 0 ▽ = 0	<b>GENERAL TOLERANCES (UNLESS SPECIFIED)</b> ANGULAR TOL ± ° 4 PLACES ± 3 PLACES ± 2 PLACES ± 1 PLACE ± 0.3 0 PLACES ± 0.5 DRAFT WHERE APPLICABLE MUST REMAIN WITHIN DIMENSIONS	<b>DIMENSION UNITS</b> MM	<b>SCALE</b> 1:2			
		<b>DRWN BY</b> ULETTENMEIER	<b>DATE</b> 2015/01/19		<b>PRODUCT CUSTOMER DRAWING</b> DBO DN 60 MM 7/8" 5P AC MA FE U12 5P 8PT AC FE 7/8" 4P AC MA FE	
		<b>CHK'D BY</b> 	<b>DATE</b> 			
		<b>APPR BY</b> RSILLER	<b>DATE</b> 2015/06/25			
<b>EC NO:</b> 112857 <b>DRWN:</b> ULETTENMEIER <b>CHK'D:</b> <b>APPR:</b> RSILLER	<b>REV</b> A2	<b>DRAWING SIZE</b> A3	<b>THIRD ANGLE PROJECTION</b> 	<b>SERIES</b> 112092	<b>MATERIAL NUMBER</b> 1120920020	<b>CUSTOMER</b> GENERAL MARKET
<b>RELEASE STATUS</b> P1	<b>RELEASE DATE</b> 03.11.2015 17:20:45	<b>DOCUMENT NUMBER</b> 1120920020	<b>DOC TYPE</b> PSD	<b>DOC PART</b> 000	<b>SHEET NUMBER</b> 2 OF 3	



DEVICE NET PRINTING

TABLE 1 DEVICE NET PRINTING					
POWER TYPE	INPUT / OUTPUT		ENG.NO.	MOLEX P/N	3D MODEL NO.
7/8" 5 POLE	NPN	8I /8O	TCDDN-888N-11U	1120920020	1120920020 (PDM)
	PNP	8I /8O	TCDDN-888P-11U	1120920009	
		8I /8O	TCDDN-888P-11U (A)	1120925011	

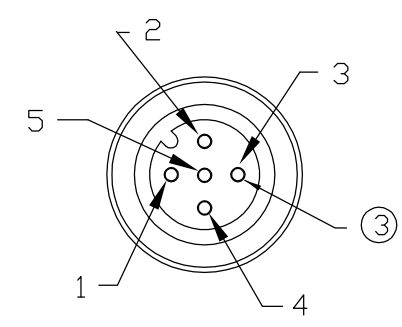
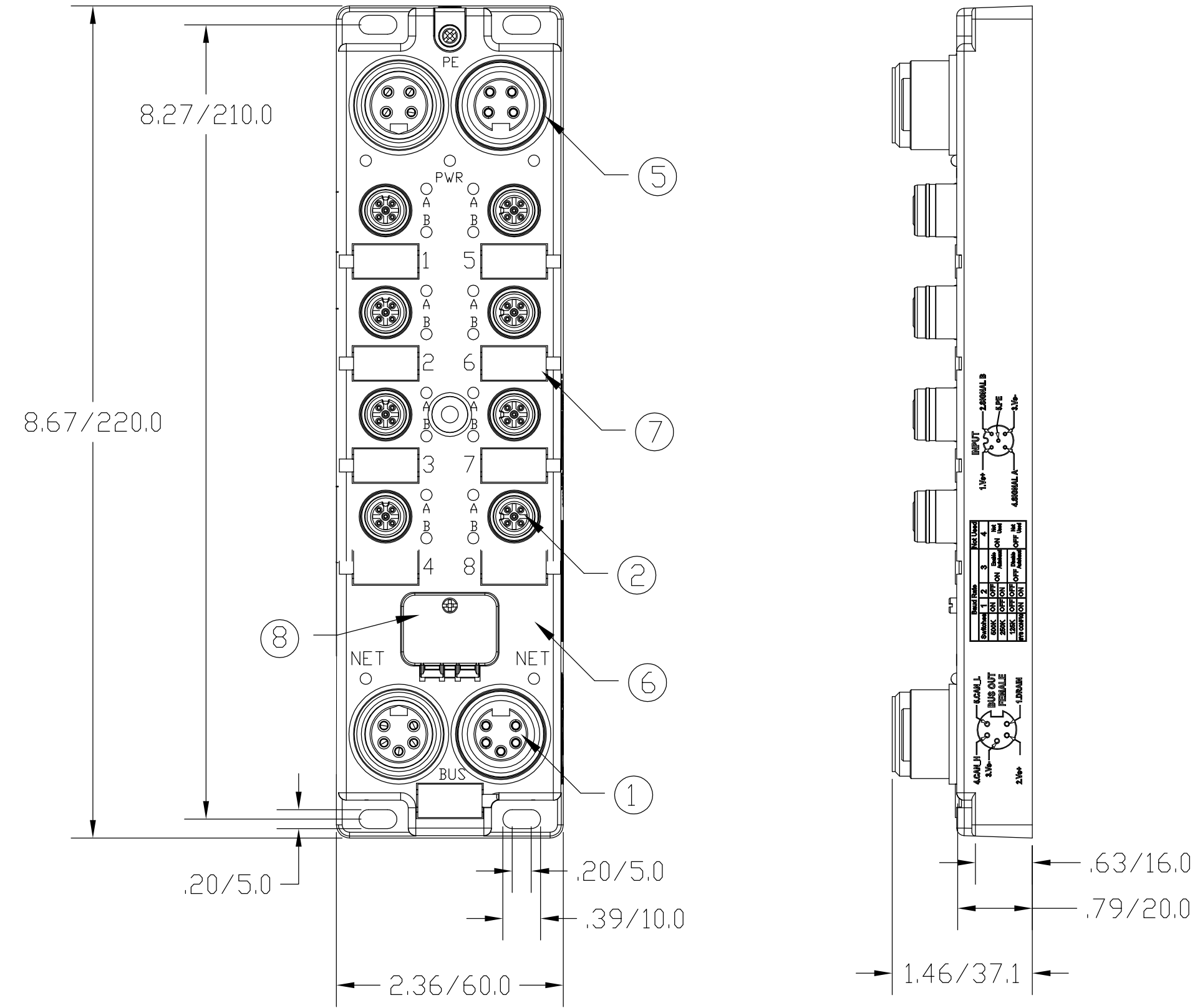
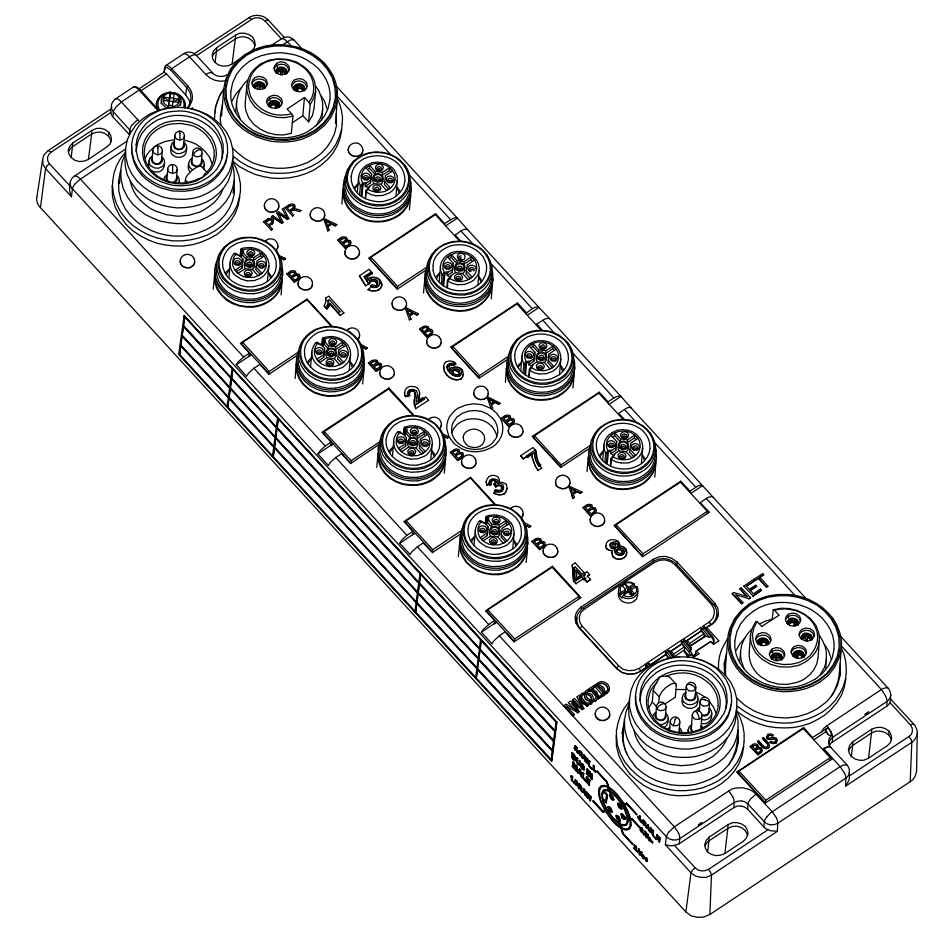
<b>QUALITY SYMBOLS</b> ▽A = 0 ▽E = 0 ▽F = 0 ▼ = 0 ▽C = 0 ⊗ = 0 ■ = 0 ▽ = 0	THIS DRAWING CONTAINS INFORMATION THAT IS PROPRIETARY TO MOLEX ELECTRONIC TECHNOLOGIES, LLC AND SHOULD NOT BE USED WITHOUT WRITTEN PERMISSION											
	EC NO: 112857 DRWN: ULETTENMEIER CHK'D: APPR: RSILLER	2017/01/26 2017/01/26	GENERAL TOLERANCES (UNLESS SPECIFIED)		DIMENSION UNITS	SCALE						
			ANGULAR TOL ± °		MM	1:1						
			4 PLACES ±	DRWN BY		DATE		DBO DN 60 MM 7/8" 5P AC MA FE U12 5P 8PT AC FE 7/8" 4P AC MA FE				
			3 PLACES ±	ULETTENMEIER		2015/01/19						
			2 PLACES ±	CHK'D BY		DATE						
	1 PLACE ± 0.3	APPR BY		DATE		PRODUCT CUSTOMER DRAWING						
	0 PLACES ± 0.5	RSILLER		2015/06/25								
	DRAFT WHERE APPLICABLE MUST REMAIN WITHIN DIMENSIONS		DRAWING SIZE	THIRD ANGLE PROJECTION			SERIES	MATERIAL NUMBER	CUSTOMER			
			A3				112092	1120920020	GENERAL MARKET			
		DOCUMENT NUMBER		DOC TYPE	DOC PART	SHEET NUMBER						
		1120920020		PSD	000	3 OF 3						

MATERIAL NUMBER	OLD PART NUMBER
112092-0009	TCDDN-888P-11U

INPUTS:  
PNP 3-WIRE SENSORS - PORTS 1-4

OUTPUTS:  
SOURCING DEVICES - PORTS 5-8

USER MANUAL IS LOCATED ON MOLEX WEBSITE.



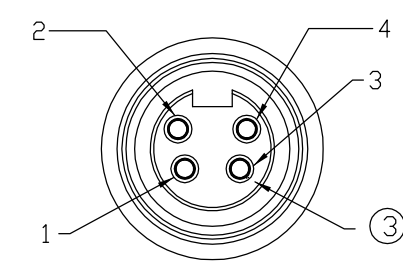
FEMALE FACE VIEW

DUAL INPUT

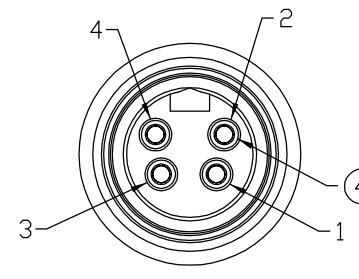
- PIN 1 V+
- PIN 2 EVEN # INPUT
- PIN 3 V-
- PIN 4 ODD # INPUT
- PIN 5 PE

DUAL OUTPUT

- PIN 1 VAUX+
- PIN 2 EVEN # OUTPUT
- PIN 3 VAUX-
- PIN 4 ODD # OUTPUT
- PIN 5 PE

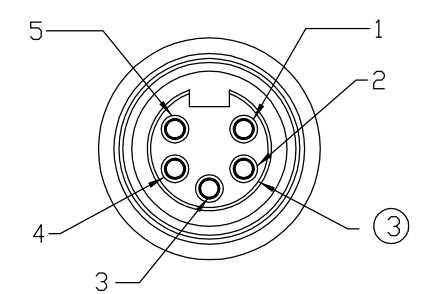


FEMALE FACE VIEW

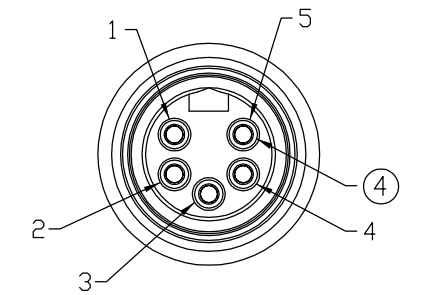


MALE FACE VIEW

- PIN 1 V+ SWITCHED
- PIN 2 NO CONNECTION
- PIN 3 NO CONNECTION
- PIN 4 V- SWITCHED



FEMALE FACE VIEW



MALE FACE VIEW

- PIN 1 DRAIN
- PIN 2 V+
- PIN 3 V-
- PIN 4 CAN\_H
- PIN 5 CAN\_L

PROTECTION	IP67
OPERATING TEMPERATURE	0°C TO 70°C
APPROVALS	ODVA AND CE
UL CERTIFICATIONS	UL LISTED FILE NO. E200650
PRODUCTS CERTIFIED BY UL IN ACCORDANCE WITH CANADIAN REQUIREMENTS	UL LISTED FILE NO. E200650

ITEM	COMPONENT	MATERIAL	FINISH
1	MINI INSERT	TPE	GRAY(5-POLE) YELLOW (4-POLE)
2	MICRO INSERT	NYLON 6/6	BLACK
3	CONTACT SOCKET	COPPER ALLOY	GOLD OVER NICKEL
4	CONTACT PIN	COPPER ALLOY	GOLD OVER NICKEL
5	RECEPTACLE SHELL	BRASS	NICKLE PLATED
6	HOUSING	PBT	BLACK
7	LABEL	ABS	WHITE
8	WINDOW	POLYCARBONATE	CLEAR

RLSO DRAWING EC NO: WNA2009-0881 DRWN: BWOODMAN 6/29/09 CH'KD: --- APPR: JFMURPHY 2009/07/08	QUALITY SYMBOL ▽=0 ◁=0	GENERAL TOLERANCES (UNLESS SPECIFIED)		DIMENSION STYLE IN/MM		SCALE ----	DESIGN UNITS ----	THIRD ANGLE PROJECTION	
		4 PLACES	mm	INCH	DRAWN BY BW	DATE 2009/03/17	TITLE <b>60MM 8 IN/8 OUTPUT DEVICENET MPIS PNP INPUT &amp; SOURCING OUT</b> MOLEX INCORPORATED		
		3 PLACES	±----	±----	CHECKED BY KJ	DATE 2009/03/17			
		2 PLACES	±----	±.01	APPROVED BY	DATE			
1 PLACE	±0.3	±----	MATERIAL NO. <b>SEE CHART</b>		DOCUMENT NO. SD-112092-001	SHEET NO. <b>1 OF 1</b>			
DRAFT WHERE APPLICABLE MUST REMAIN WITHIN DIMENSIONS		ANGULAR ±----°		SIZE C		THIS DRAWING CONTAINS INFORMATION THAT IS PROPRIETARY TO MOLEX INCORPORATED AND SHOULD NOT BE USED WITHOUT WRITTEN PERMISSION			