

# HLM1230 5mW RED LASER MODULE

650 nm  
5mW  
RED  
LASER MODULE

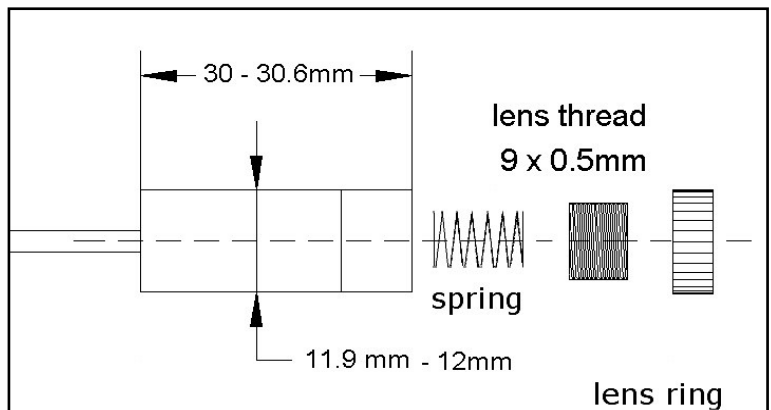
FOCUSABLE  
ACRYLIC LENS



< 5mW 650nm FOCUSABLE LASER MODULE

## SPECIFICATIONS

INPUT VOLTAGE	3.5 - 4.5	v dc
OPERATING CURRENT	< 25	mA
WAVELENGTH	645-655	nm
OPTICAL POWER	< 5	mW
TTL BLANKING	NO	kHz
BEAM DIAM.	0.75 +/- 0.05	mm
DIVERGENCE	>0.5	mRad
WARM UP TIME	<1.0	sec
Operating Temperature	-10 - +50	deg C
POLARITY	RED +ve	BLACK -ve



## FEATURES

BUILT IN APC DRIVER

LENS ADJUSTABLE BY HAND  
NO TOOLS NEEDED

CHROME PLATED BRASS HEATSINK CASE

LEAD LENGTH 120mm

Please note :

The laser diode housing is not isolated.  
CASE IS ANODE

## **WARNING**

This is an OEM module. The owner is responsible for safe use and for incorporating it into a suitable housing.  
OPTICAL HAZARD FROM LASER RADIATION  
DO NOT LOOK DIRECTLY INTO THE BEAM.

For further information or advice please contact [howard@hbatchen.co.uk](mailto:howard@hbatchen.co.uk)